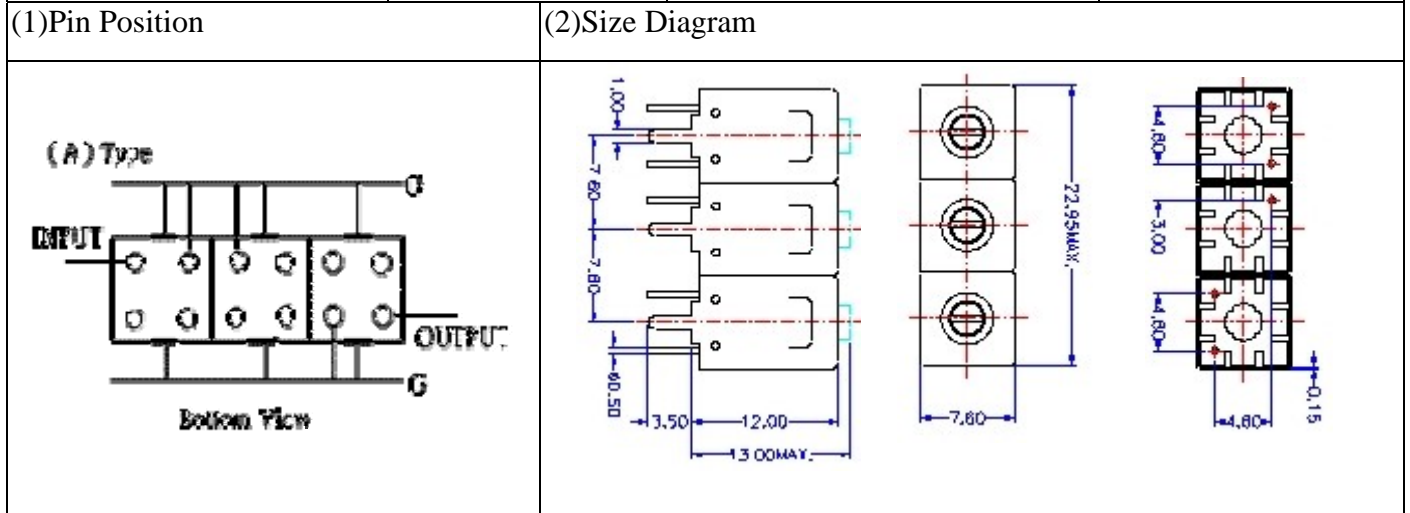


VHF UHF Helical Filter Specification Sheet

Customer Name		Temwell's Part No.	TT6720A-325M
Approval No. /dated	P0005051B	Acceptable Specify Fo. Range	311~355M
Work Instruction No.	P0005051B	Date	Mar.17,2000



(3)Electric Characteristic

Item	Specify	Performance	
Center Freq.(Fo) +/- 0.5 %	325 MHz	325 MHz	
Tunable Range	325±4 MHz	325±4 MHz	
Insertion Loss	Typ. 4.0 dB	3.2 dB	
-3 dB Bandwidth	Typ. 4 MHz	6 MHz	
Sensitivity (Attenuation)	Fo - 50 MHz	Typ. 45 dBc	48 dBc
	Fo + 50 MHz	Typ. 49 dBc	52 dBc
	Fo - ()MHz	Typ. dBc	dBc
	Fo +()MHz	Typ. dBc	dBc
Return Loss	Min. 12 dB	29.3 dB	
Ripple	< 1 dB	dB	
Impedance	In / Out : 50 Ω	In / Out : 50 Ω	

(4)Torque for Tuning Screw > 100gf • cm

(5)Temperature Condition:

Operating Temperature	-30°C ~ +70°C
Storage Temperature	-30°C ~ +80°C

(6)Input Power > 1Watt

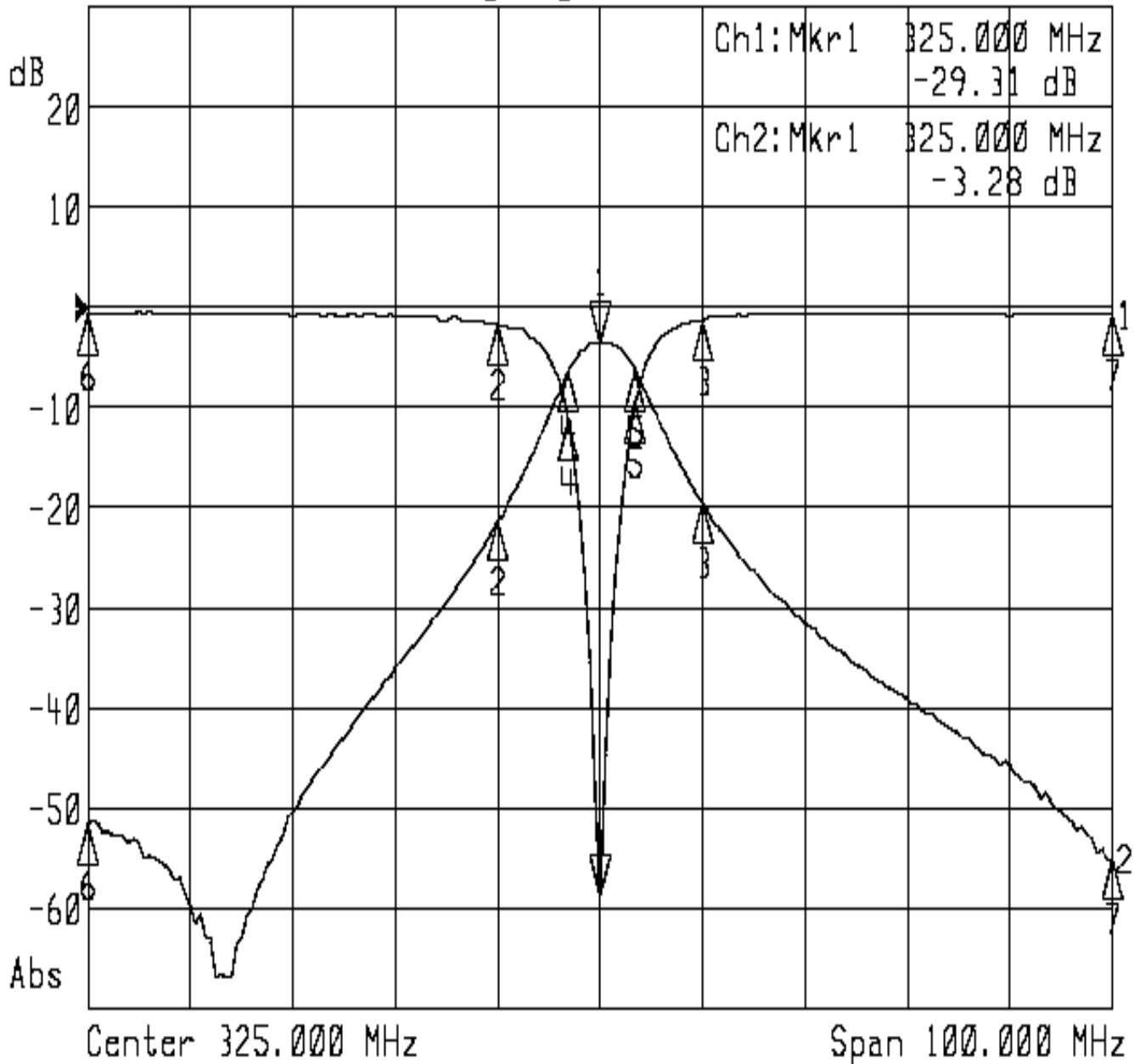
Approval	Supervisor	Designer	Aperture size
C. Y. Chang	C.S. Chang	C. S. Chang	7H3S(4*5.5) 7H046LB4 聚 3

TEMWELL CORPORATION

Performance-TT6720A-325M

P0005051B

▶1: Reflection Log Mag 5.0 dB/ Ref 0.00 dB C
 ▶2: Transmission Log Mag 10.0 dB/ Ref 0.00 dB C



1: Mkr (MHz)	dB	2: Mkr (MHz)	dB
1> 325.00	-29.31	1> 325.00	-3.28
2: 315.00	-0.84	2: 315.00	-21.34
3: 335.00	-0.56	3: 335.00	-19.47
4: 321.90	-5.65	4: 321.90	-6.29
5: 328.45	-4.64	5: 328.45	-6.27
6: 275.00	-0.26	6: 275.00	-51.44
7: 375.00	-0.31	7: 375.00	-55.09