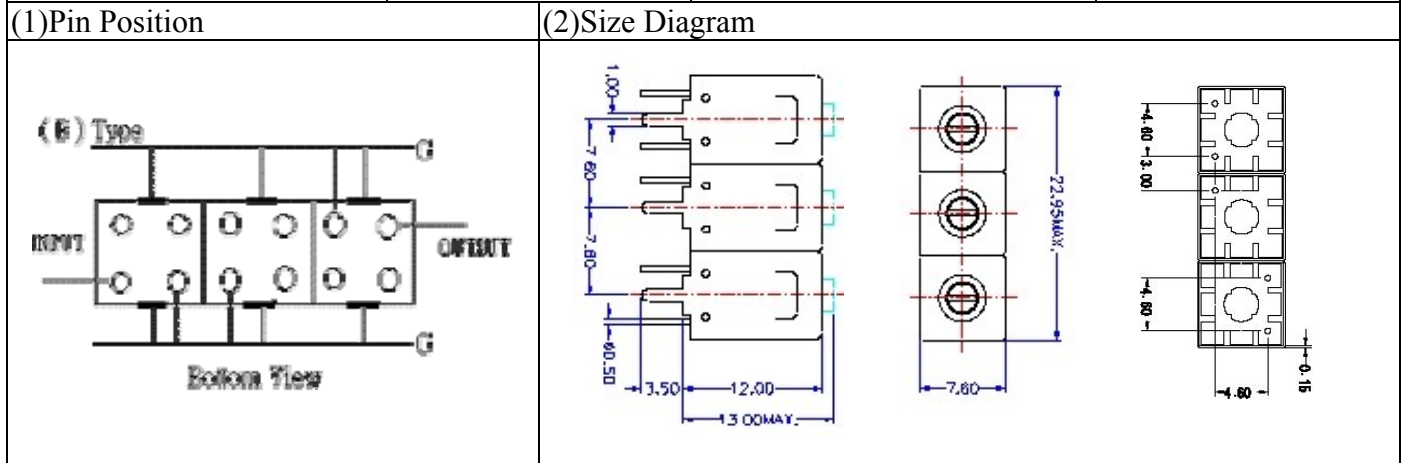


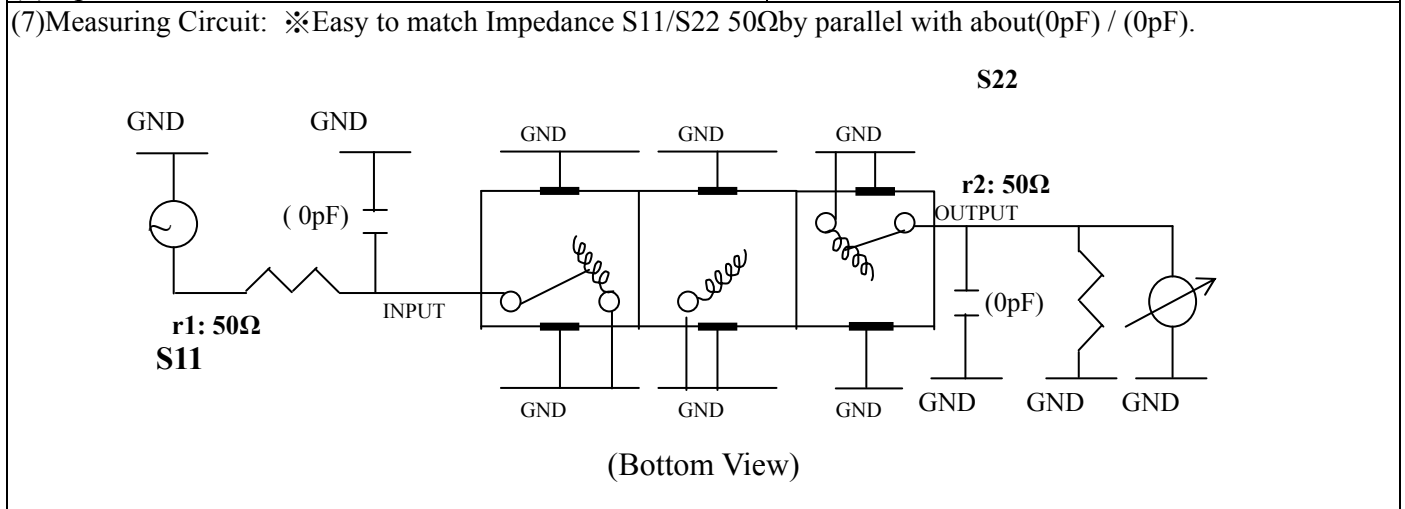
# VHF UHF Helical Filter Specification Sheet

Customer Name		Temwell's Part No.	TT6720B-351M
Approval No. /dated	0901072CD	Customer's Print Name.	6720B 351M
Work Instruction No.	200901072CD	Date	Feb.06.2009



Item		Specify	Performance
Center Freq.(Fo) +/- 0.5 %		351 MHz	351 MHz
Insertion Loss		Typ. 5.0 dB	3.92 dB
-3 dB Bandwidth		Typ. 6 MHz	8.5 MHz
Sensitivity (Attenuation)	Fo - 20 MHz	Typ. 43 dBc	46 dBc
	Fo + 20 MHz	Typ. 30 dBc	33 dBc
	Fo - ( )MHz	Typ. dBc	dBc
	Fo +( )MHz	Typ. dBc	dBc
Return Loss		Min. 12 dB	20.2 dB
Ripple		< 1 dB	dB
Impedance		In / Out : 50 Ω	In / Out : 50 Ω
(4) Torque for Tuning Screw		> 100gf · cm	

(5) Temperature Condition:	
Operating Temperature	0°C ~ +60°C
Storage Temperature	-20°C ~ +70°C
(6) Input Power	> 1Watt



Approval	Supervisor	Designer	Aperture size
C.Y.Chang	C.S.Chang	C.S.Chang	7H3(4*5.5)(5.54) 7H046RB4

TEMWELL CORPORATION

# Performance-TT6720B-351M

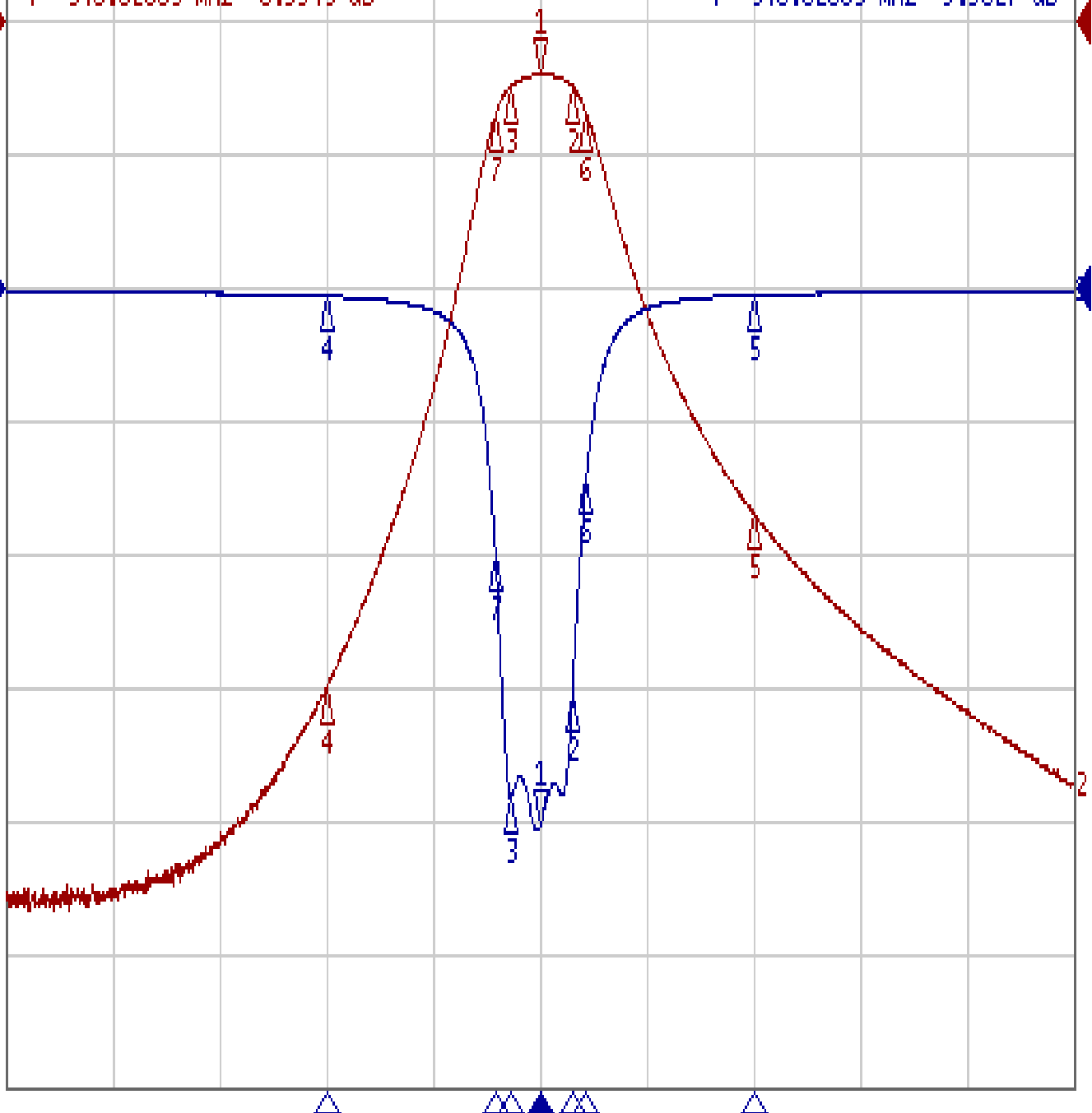
## 200901072CD

▶ Tr1 S11 Log Mag 5.000dB/ Ref 0.000dB [F3]

Tr2 S21 Log Mag 10.00dB/ Ref 0.000dB [F3]

1	351.00000 MHz	-3.9256 dB
2	354.03313 MHz	-4.8270 dB
3	348.22950 MHz	-4.8467 dB
4	331.00000 MHz	-49.961 dB
5	371.00000 MHz	-36.874 dB
6	355.37600 MHz	-6.9242 dB
7	346.82863 MHz	-6.9943 dB

>1	351.00000 MHz	-20.235 dB
2	354.03313 MHz	-15.318 dB
3	348.22950 MHz	-19.072 dB
4	331.00000 MHz	-0.2849 dB
5	371.00000 MHz	-0.2392 dB
6	355.37600 MHz	-7.0556 dB
7	346.82863 MHz	-9.9627 dB



1 Center 351 MHz

IFBW 10 kHz

Span 100 MHz

