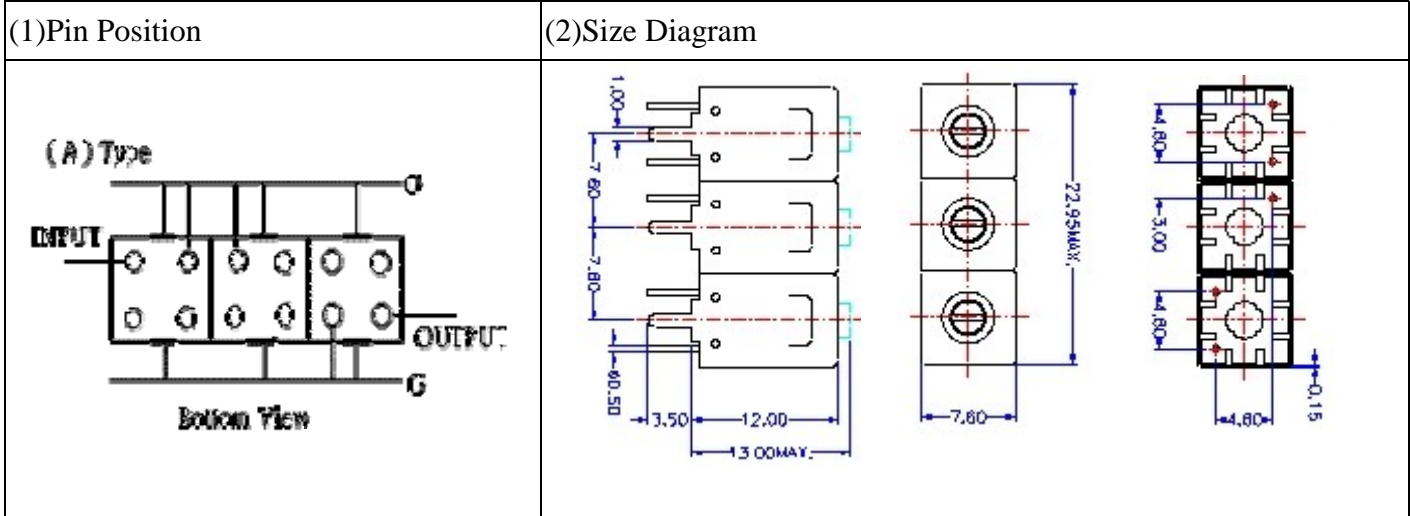


# VHF UHF Helical Filter Specification Sheet

Customer Name		Temwell's Part No.	TT67216A-870M
Approval No. /dated	9711101	Acceptable Specify Fo. Range	861~900MHz
Work Instruction No.	9711101	Date	Nov.25.1997



(3) Electric Character

Item	Specify	Performance	
Center Freq.(Fo) +/- 0.5 %	870 MHz	870 MHz	
Tunable Range	870±10 MHz	870±10 MHz	
Insertion Loss	Typ. 4.0 dB	2.9 dB	
-3 dB Bandwidth	Typ. 20 MHz	25 MHz	
Sensitivity (Attenuation)	Fo - 50 MHz	Typ. 39 dBc	42 dBc
	Fo + 50 MHz	Typ. 29 dBc	32 dBc
	Fo - ( )MHz	Typ. dBc	dBc
	Fo +( )MHz	Typ. dBc	dBc
Return Loss	Min. 12 dB	18.8 dB	
Ripple	< 1 dB	dB	
Impedance	In / Out : 50 Ω	In / Out : 50 Ω	

(4) Torque for Tuning Screw > 100gf • cm

(5) Temperature Condition:

Operating Temperature	0°C ~ +60°C
Storage Temperature	-20°C ~ +70°C

(6) Input Power > 1Watt

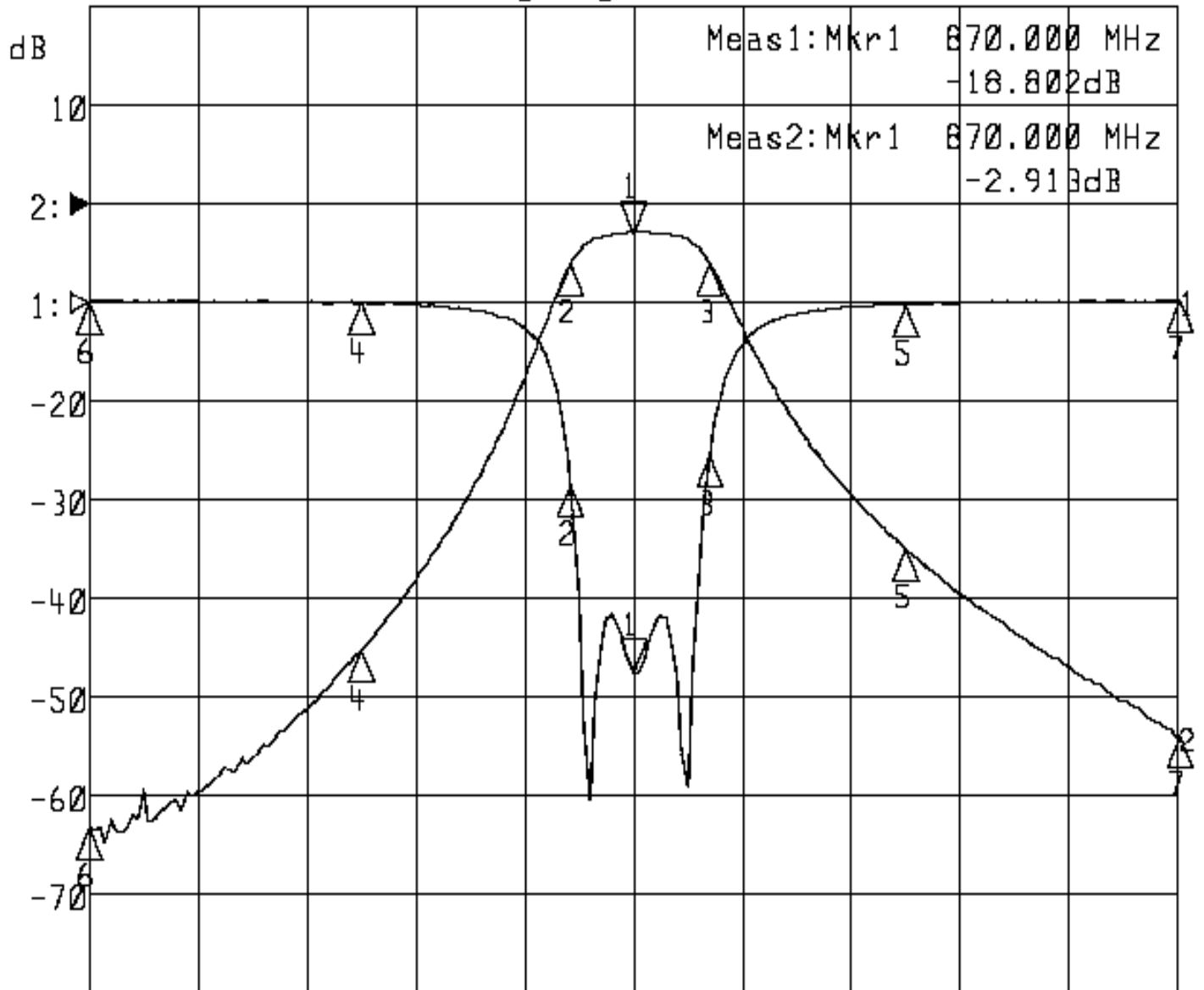
Approval	Supervisor	Designer	Aperture size
C.Y.Chang	C.S.Chang	C.S.Chang	7H3S(4*4.5) 7H046LB4 聚 3

TEMWELL CORPORATION

# Performance-TT67216A-870M

## 9711101

►1:S11 Refl Port1 Log Mag 5.0 dB/ Ref 0.00 dB C  
►2:S21 Fwd Trans Log Mag 10.0 dB/ Ref 0.00 dB C



Center 870.000 MHz

Span 200.000 MHz

1: Mkr (MHz)	dB	2: Mkr (MHz)	dB
1> 870.0000	-18.802	1> 870.0000	-2.913
2: 858.5333	-9.268	2: 858.5333	-5.985
3: 884.0000	-7.793	3: 884.0000	-5.891
4: 820.0000	-0.026	4: 820.0000	-45.271
5: 920.0000	-0.124	5: 920.0000	-35.010
6: 770.0000	0.037	6: 770.0000	-63.186
7: 970.0000	0.068	7: 970.0000	-54.083