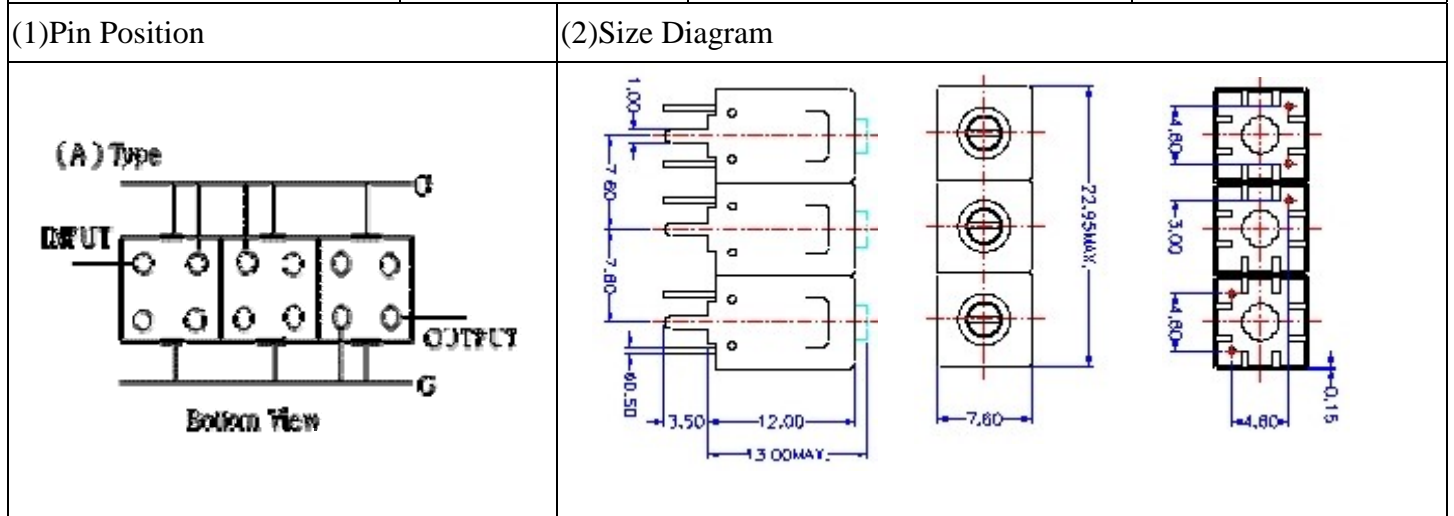


VHF UHF Helical Filter Specification Sheet

Customer Name		Temwell's Part No.	TT67218A-915M
Approval No. /dated	9005025B	Acceptable Specify Fo. Range	901~930MHz
Work Instruction No.	9005025B	Date	May.12.2000

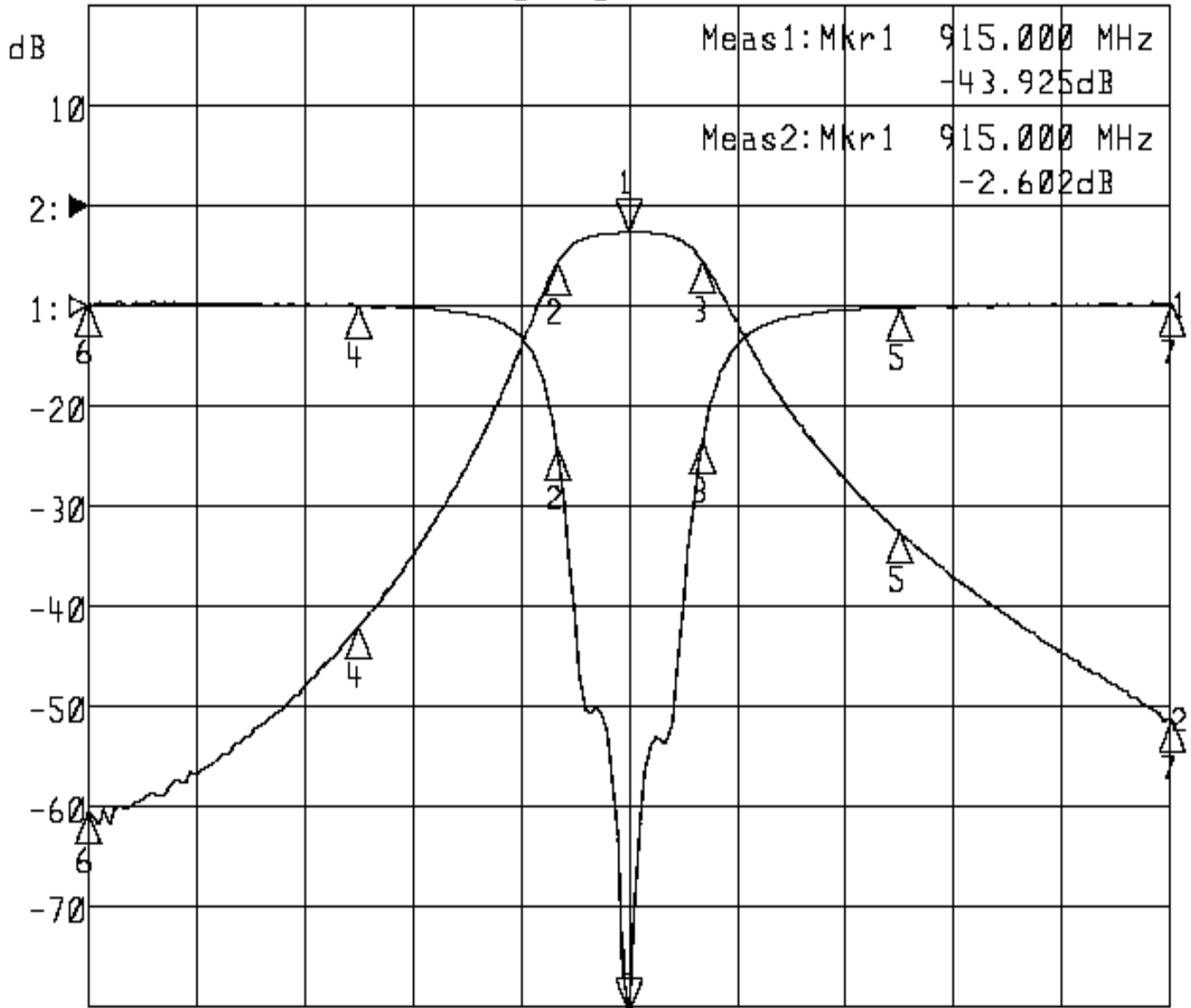


(3)Electric Character			
Item	Specify	Performance	
Center Freq.(Fo) +/- 0.5 %	915 MHz	915 MHz	
Tunable Range	915±10 MHz	915±10 MHz	
Insertion Loss	Typ. 3.5 dB	2.6 dB	
-3 dB Bandwidth	Typ. 20 MHz	27 MHz	
Sensitivity (Attenuation)	Fo - 50 MHz	Typ. 36 dBc	39 dBc
	Fo + 50 MHz	Typ. 27 dBc	29 dBc
	Fo - ()MHz	Typ. dBc	dBc
	Fo +()MHz	Typ. dBc	dBc
Return Loss	Min. 12 dB	43.9 dB	
Ripple	< 1 dB	dB	
Impedance	In / Out : 50 Ω	In / Out : 50 Ω	
(4)Torque for Tuning Screw		> 100gf • cm	
(5)Temperature Condition:			
Operating Temperature		0°C ~ +60°C	
Storage Temperature		-20°C ~ +70°C	
(6)Input Power		> 1Watt	
Approval	Supervisor	Designer	Aperture size
C.Y.Chang	C.S.Chang	C.S.Chang	7H3S(4*8.0) 7H046LB4 聚 3
TEMWELL CORPORATION			

Performance-TT67218A-915M

9005025B

▶1:S11 Refl Port1 Log Mag 5.0 dB/ Ref 0.00 dB C
 ▶2:S21 Fwd Trans Log Mag 10.0 dB/ Ref 0.00 dB C



Center 915.000 MHz

Span 200.000 MHz

1:Mkr (MHz)	dB	2:Mkr (MHz)	dB
1> 915.0000	-43.925	1> 915.0000	-2.602
2: 901.8000	-7.075	2: 901.8000	-5.744
3: 928.6667	-6.759	3: 928.6667	-5.512
4: 865.0000	-0.003	4: 865.0000	-42.030
5: 965.0000	-0.072	5: 965.0000	-32.567
6: 815.0000	0.115	6: 815.0000	-60.418
7: 1015.0000	0.154	7: 1015.0000	-51.160