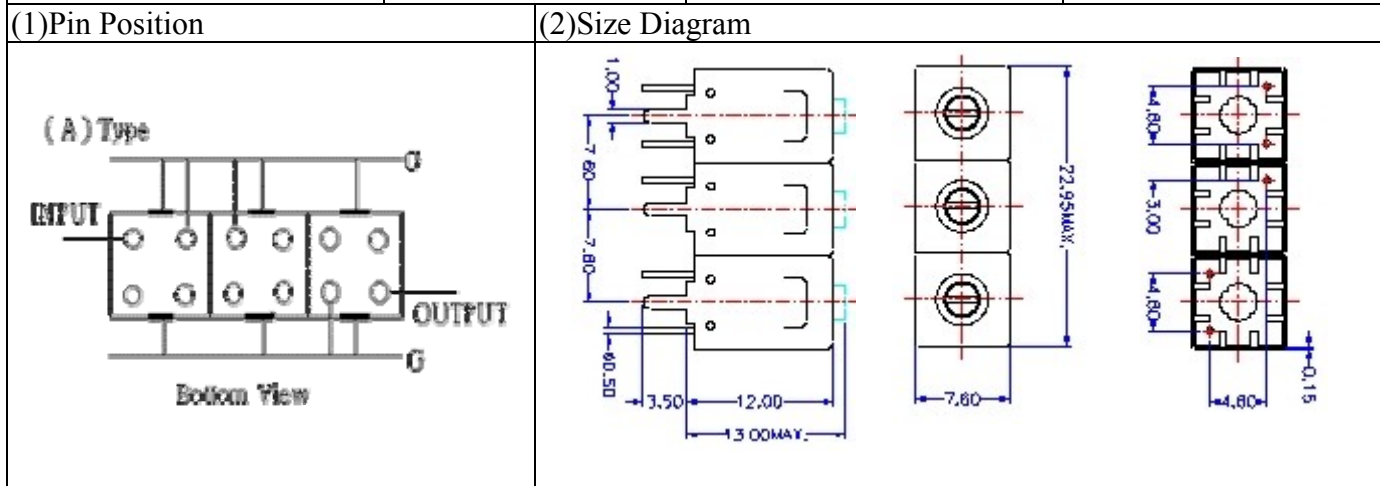


# VHF UHF Helical Filter Specification Sheet

Customer Name		Temwell's Part No.	TT67218A1-920M
Approval No. /dated	20311059B	Temwell's print name	
Work Instruction No.	20311059B	Date	Dec.02.2003



(3) Electric Character

Item	Specify	Performance
Center Freq.(Fo) +/- 0.5 %	920 MHz	920 MHz
Tunable Range	920±5 MHz	920±5 MHz
Insertion Loss	Typ. 4.0 dB	3.21 dB
-3dB Bandwidth	Typ. 20 MHz	25 MHz
Sensitivity (Attenuation)	Fo - 50 MHz	Typ. 39 dBc
	Fo + 50 MHz	Typ. 30 dBc
	Fo - ( )MHz	Typ. dBc
	Fo +( )MHz	Typ. dBc
Return Loss	Min. 12 dB	21.2 dB
Ripple	< 1 dB	dB
Impedance	In / Out : 50 Ω	In / Out : 50 Ω

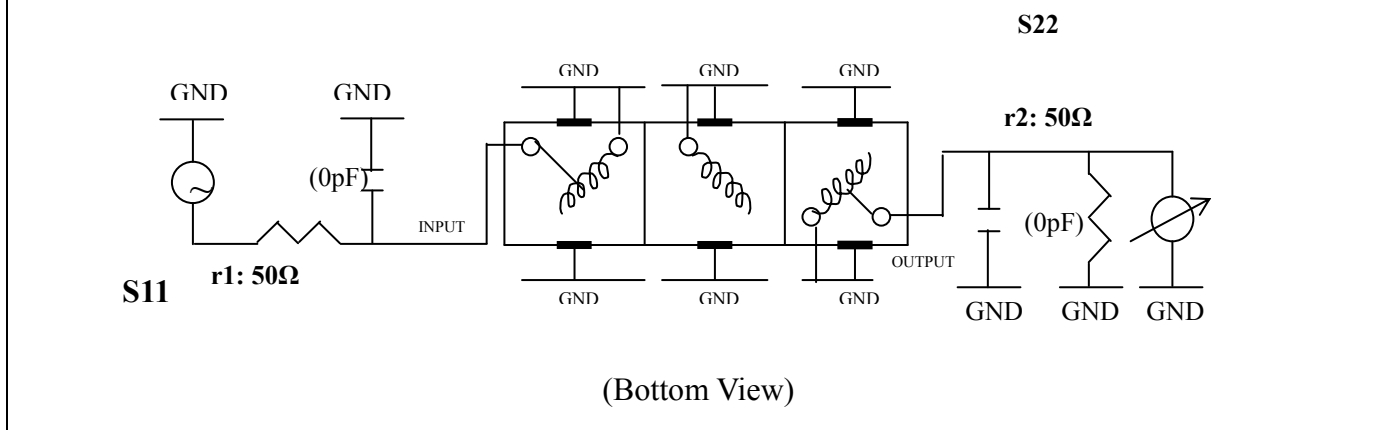
(4) Torque for Tuning Screw > 100gf · cm

(5) Temperature Condition:

Operating Temperature	0°C ~ +60°C
Storage Temperature	-20°C ~ +70°C

(6) Input Power > 1Watt

(7) Measuring Circuit: ※Easy to match Impedance S11/S22 50Ω by parallel with about(0 pF) / (0 pF).



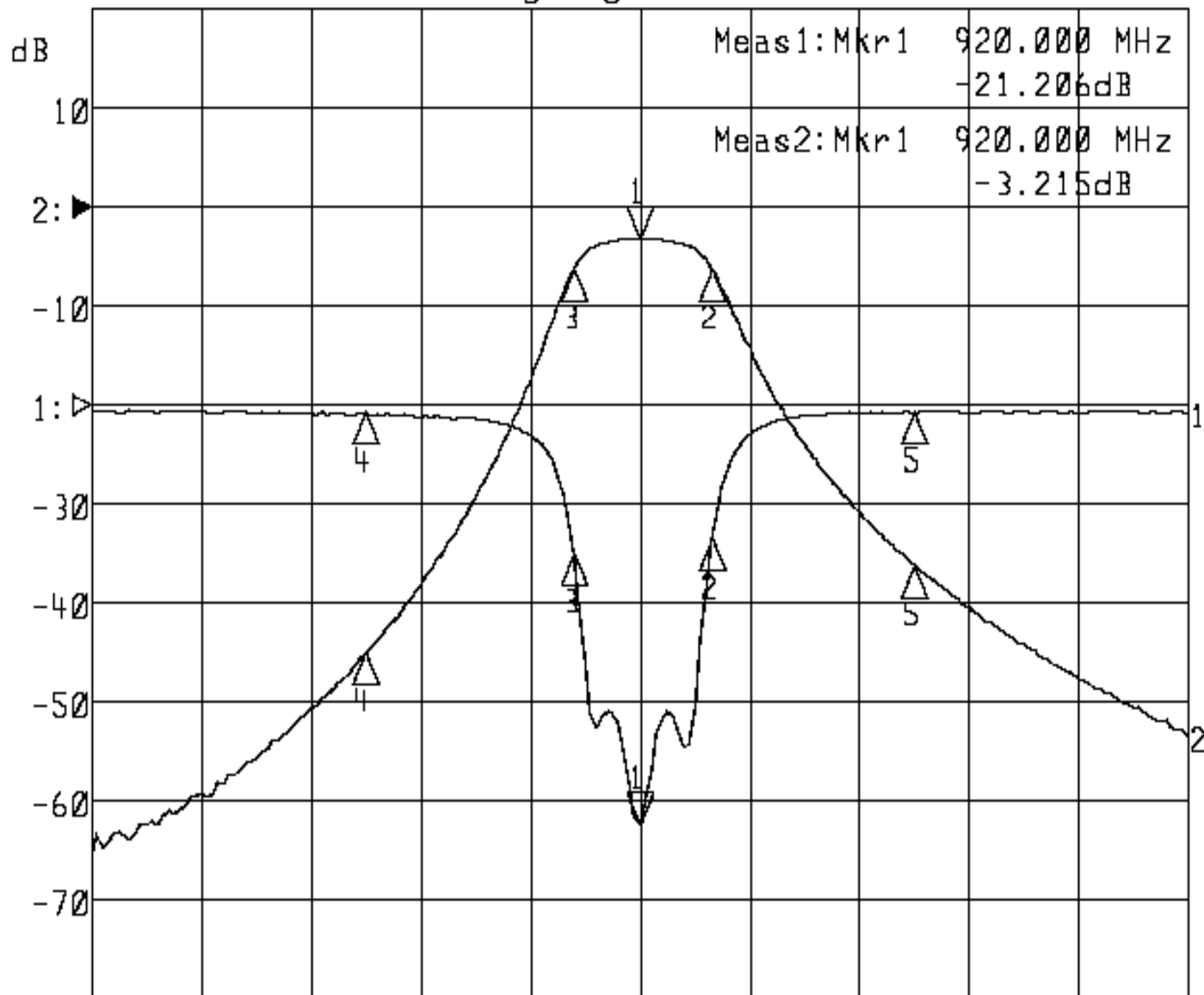
Approval	Supervisor	Designer	Aperture size
C.Y.Chang	C.S.Chang	C.S.Chang	7H3S4*4.5 7H046LB4 聚 3

TEMWELL CORPORATION

# Performance-TT67218A1-920M

## 20311059B

▷1:S11 Refl Port1 Log Mag 5.0 dB/ Ref 0.00 dB C  
▶2:S21 Fwd Trans Log Mag 10.0 dB/ Ref 0.00 dB C



Center 920.000 MHz

Span 200.000 MHz

1:Mkr (MHz)	dB	2:Mkr (MHz)	dB
1> 920.0000	-21.206	1> 920.0000	-3.215
2: 933.1333	-6.749	2: 933.1333	-6.192
3: 907.8667	-7.449	3: 907.8667	-6.280
4: 870.0000	-0.434	4: 870.0000	-45.086
5: 970.0000	-0.407	5: 970.0000	-36.171