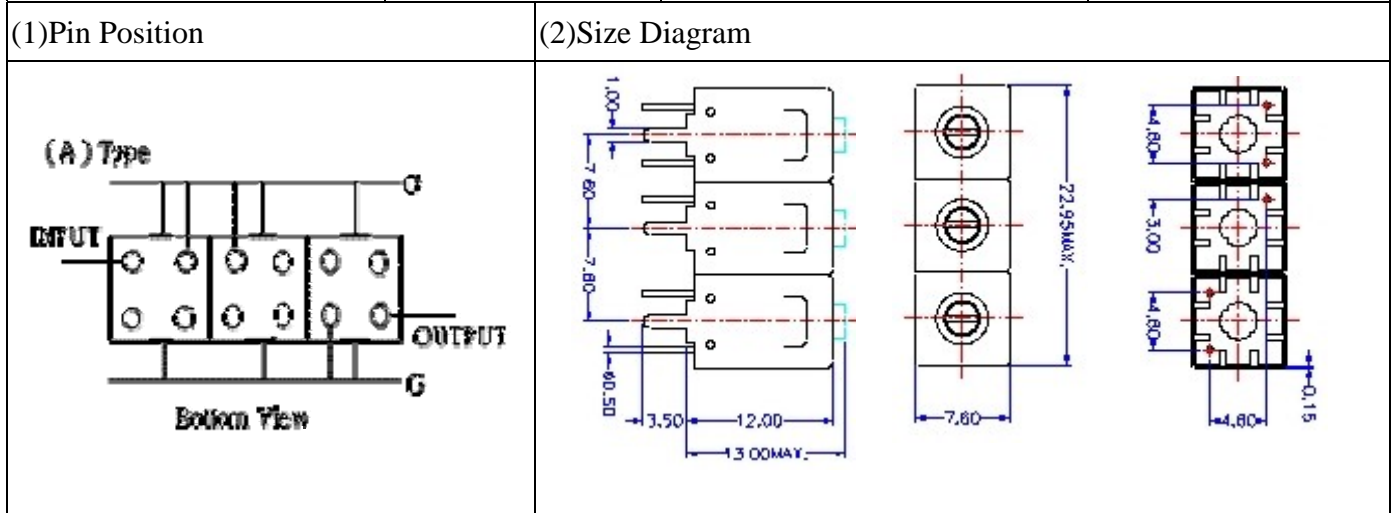


# VHF UHF Helical Filter Specification Sheet

Customer Name		Temwell's Part No.	TT67219A-940M
Approval No. /dated	9711100	Acceptable Specify Fo. Range	931~950MHz
Work Instruction No.	9711100	Date	Nov.11.1997



(3) Electric Character

Item	Specify	Performance	
Center Freq.(Fo ) +/- 0.5 %	940 MHz	940 MHz	
Tunable Range	940±10 MHz	940±10 MHz	
Insertion Loss	Typ. 4.0 dB	3.0 dB	
-3 dB Bandwidth	Typ. 20 MHz	28 MHz	
Sensitivity (Attenuation)	Fo - 50 MHz	Typ. 35 dBc	38 dBc
	Fo + 50 MHz	Typ. 26 dBc	29 dBc
	Fo - ( )MHz	Typ. dBc	dBc
	Fo +( )MHz	Typ. dBc	dBc
Return Loss	Min. 12 dB	31 dB	
Ripple	< 1 dB	dB	
Impedance	In / Out : 50 Ω	In / Out : 50 Ω	
(4) Torque for Tuning Screw	> 100gf • cm		

(5) Temperature Condition:

Operating Temperature	0°C ~ +60°C
Storage Temperature	-20°C ~ +70°C

(6) Input Power

	> 1Watt
--	---------

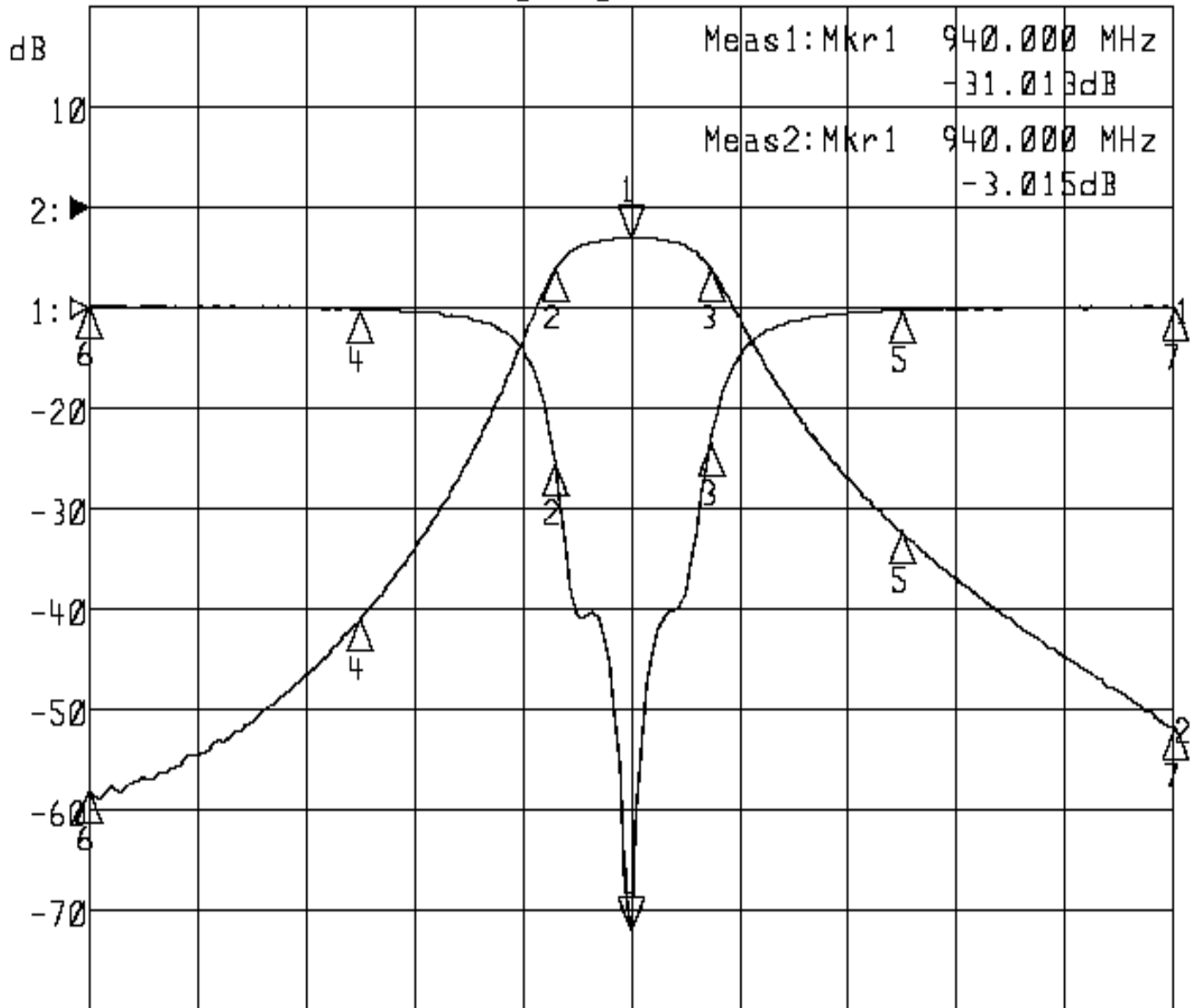
Approval	Supervisor	Designer	Aperture size
C.Y.Chang	C.S.Chang	C.S.Chang	7H3S(4*4.6) 7H046LB4 聚 3

TEMWELL CORPORATION

# Performance-TT67219A-940M

## 9711100

▷1:S11 Refl Port1 Log Mag 5.0 dB/ Ref 0.00 dB C  
▶2:S21 Fwd Trans Log Mag 10.0 dB/ Ref 0.00 dB C



Center 940.000 MHz

Span 200.000 MHz

1: Mkr (MHz)	dB	2: Mkr (MHz)	dB
1> 940.0000	-31.013	1> 940.0000	-3.015
2: 926.0667	-7.775	2: 926.0667	-6.096
3: 954.6667	-6.696	3: 954.6667	-6.011
4: 890.0000	-0.110	4: 890.0000	-41.044
5: 990.0000	-0.112	5: 990.0000	-32.368
6: 840.0000	0.066	6: 840.0000	-58.053
7: 1040.0000	-0.008	7: 1040.0000	-51.775