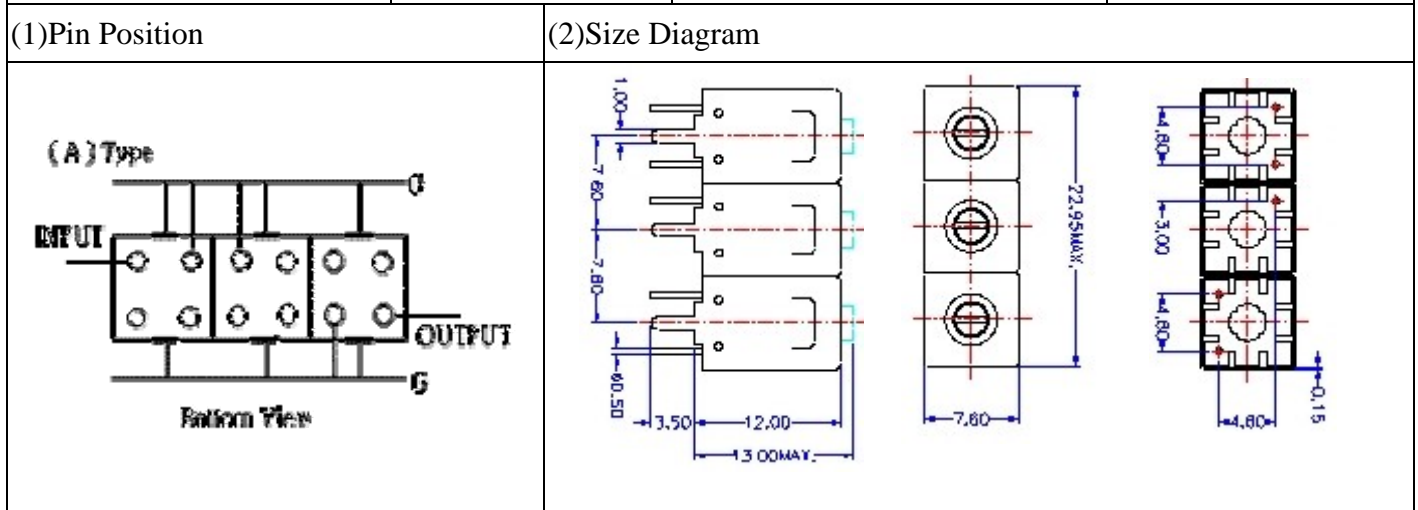


# VHF UHF Helical Filter Specification Sheet

Customer Name		Temwell's Part No.	TT67220A-960M
Approval No. /dated	2003003B	Acceptable Specify Fo. Range	951~975MHz
Work Instruction No.	2003003B	Date	Mar.02.2000



(3) Electric Character

Item	Specify	Performance	
Center Freq.(Fo) +/- 0.5 %	960 MHz	960 MHz	
Tunable Range	960±10 MHz	960±10 MHz	
Insertion Loss	Typ. 3.5 dB	2.4 dB	
-3 dB Bandwidth	Typ. 22 MHz	27 MHz	
Sensitivity (Attenuation)	Fo - 50 MHz	Typ. 36 dBc	39 dBc
	Fo + 50 MHz	Typ. 27 dBc	30 dBc
	Fo - ( )MHz	Typ. dBc	dBc
	Fo + ( )MHz	Typ. dBc	dBc
Return Loss	Min. 12 dB	21.5 dB	
Ripple	< 1 dB	dB	
Impedance	In / Out : 50 Ω	In / Out : 50 Ω	
(4) Torque for Tuning Screw	> 100gf • cm		

(5) Temperature Condition:

Operating Temperature	0°C ~ +60°C
Storage Temperature	-20°C ~ +70°C

(6) Input Power

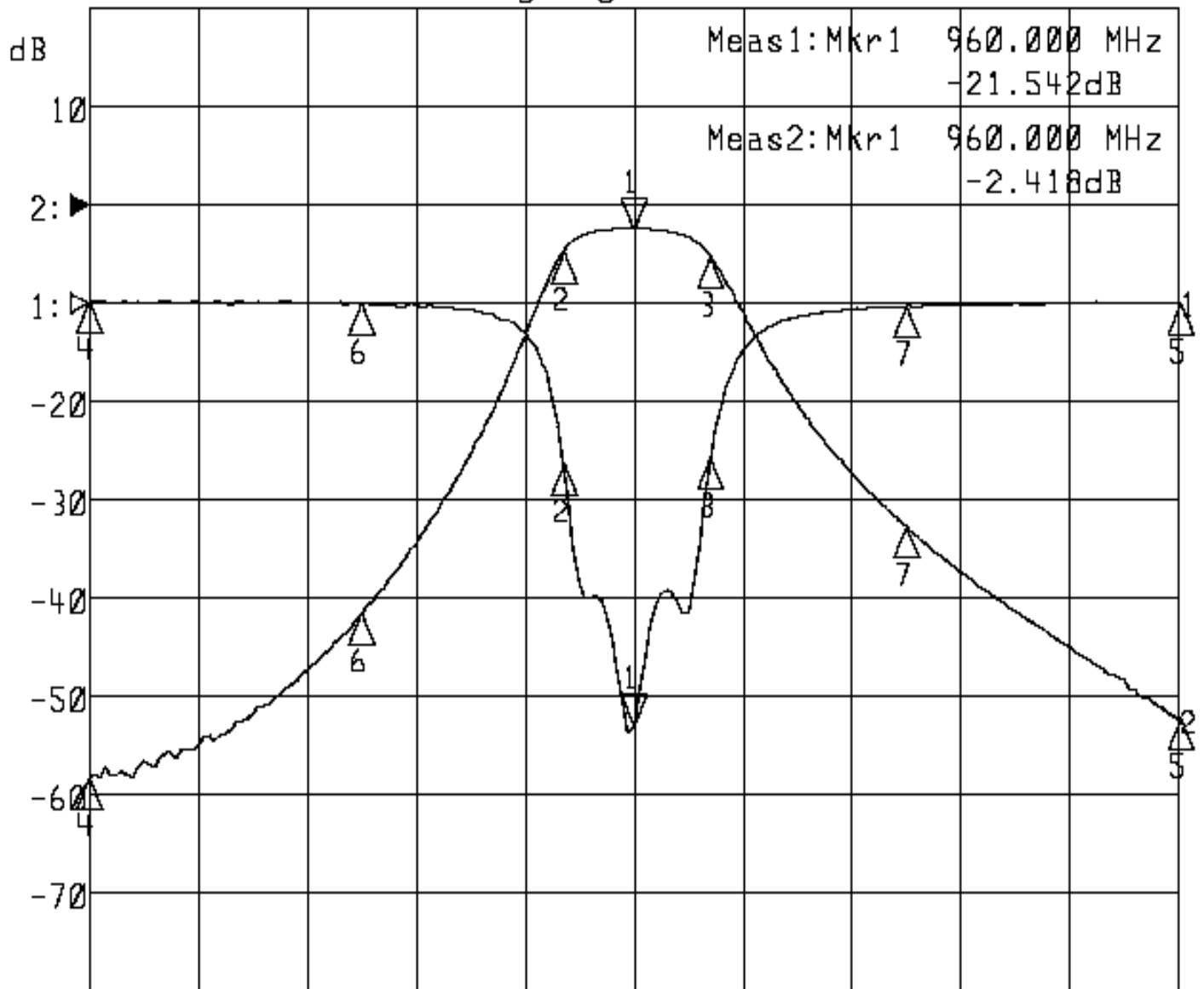
Approval	Supervisor	Designer	Aperture size
C.Y.Chang	C.S.Chang	C.S.Chang	7H3S(4*4.65) 7H046LB4 聚 3

TEMWELL CORPORATION

# Performance-TT67220A-960M

## 2003003B

▶1:S11 Refl Port1 Log Mag 5.0 dB/ Ref 0.00 dB C  
▶2:S21 Fwd Trans Log Mag 10.0 dB/ Ref 0.00 dB C



Center 960.000 MHz

Span 200.000 MHz

1: Mkr (MHz)	dB	2: Mkr (MHz)	dB
1> 960.0000	-21.542	1> 960.0000	-2.418
2: 947.0667	-8.088	2: 947.0667	-4.646
3: 974.0667	-7.931	3: 974.0667	-5.140
4: 860.0000	0.121	4: 860.0000	-58.219
5: 1060.0000	0.045	5: 1060.0000	-52.318
6: 910.0000	0.013	6: 910.0000	-41.554
7: 1010.0000	-0.150	7: 1010.0000	-32.726