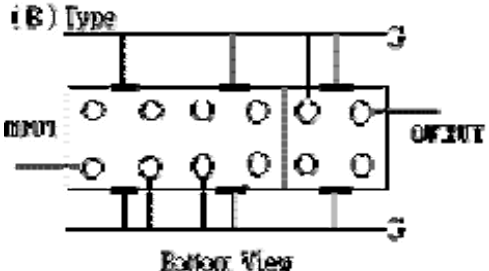
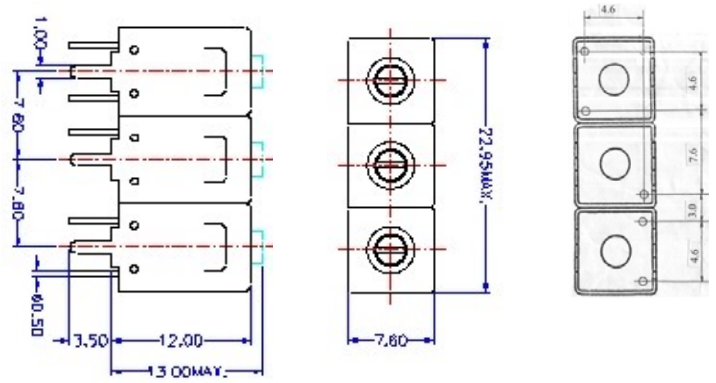


VHF UHF Helical Filter Specification Sheet

Customer Name		Temwell's Part No.	TT67226B-140M
Approval No. /dated	20203052B	Acceptable Specify Fo. Range	126~145MHz
Work Instruction No.	20203052B	Date	Mar.21.2002

<p>(1) Pin Position</p>  <p style="text-align: center;">Bottom View</p>	<p>(2) Size Diagram</p> 
--	--

(3) Electric Character

Item	Specify	Performance	
Center Freq.(Fo) +/- 0.5 %	140 MHz	140 MHz	
Tunable Range	140±2 MHz	140±2 MHz	
Insertion Loss	Typ. 2.5 dB	1.3 dB	
-3 dB Bandwidth	Typ. 28 MHz	29 MHz	
Sensitivity (Attenuation)	Fo - 50 MHz	Typ. 62 dBc	65 dBc
	Fo + 50 MHz	Typ. 31 dBc	34 dBc
	Fo - ()MHz	Typ. dBc	dBc
	Fo +()MHz	Typ. dBc	dBc
Return Loss	Min. 12 dB	32 dB	
Ripple	< 1 dB	dB	
Impedance	In / Out : 50 Ω	In / Out : 50 Ω	
(4) Torque for Tuning Screw	> 100gf • cm		

(5) Temperature Condition:

Operating Temperature	0°C ~ +60°C
Storage Temperature	-20°C ~ +70°C
(6) Input Power	> 1Watt

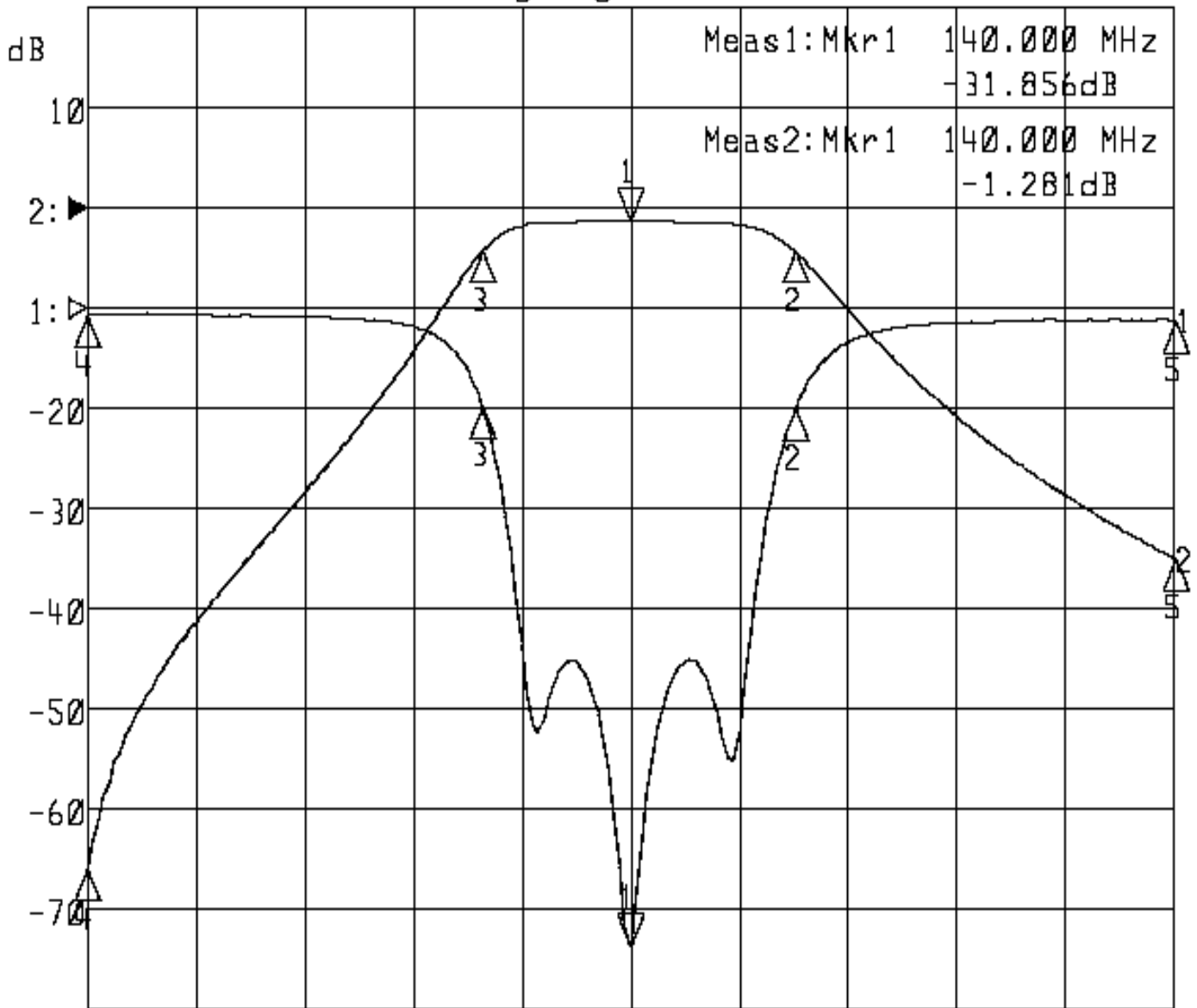
Approval	Supervisor	Designer	Aperture size
C.Y.Chang	C.S.Chang	C.S.Chang	7H3S(4*7.5) 7H00LB6

TEMWELL CORPORATION

Performance-TT67226B-140M

20203052B

►1:S11 Refl Port1 Log Mag 5.0 dB/ Ref 0.00 dB C
►2:S21 Fwd Trans Log Mag 10.0 dB/ Ref 0.00 dB C



Center 140.000 MHz

Span 100.000 MHz

1:Mkr (MHz)	dB	2:Mkr (MHz)	dB
1> 140.0000	-31.856	1> 140.0000	-1.281
2: 155.1333	-5.057	2: 155.1333	-4.359
3: 126.3667	-4.856	3: 126.3667	-4.324
4: 90.0000	-0.317	4: 90.0000	-65.878
5: 190.0000	-0.587	5: 190.0000	-34.953