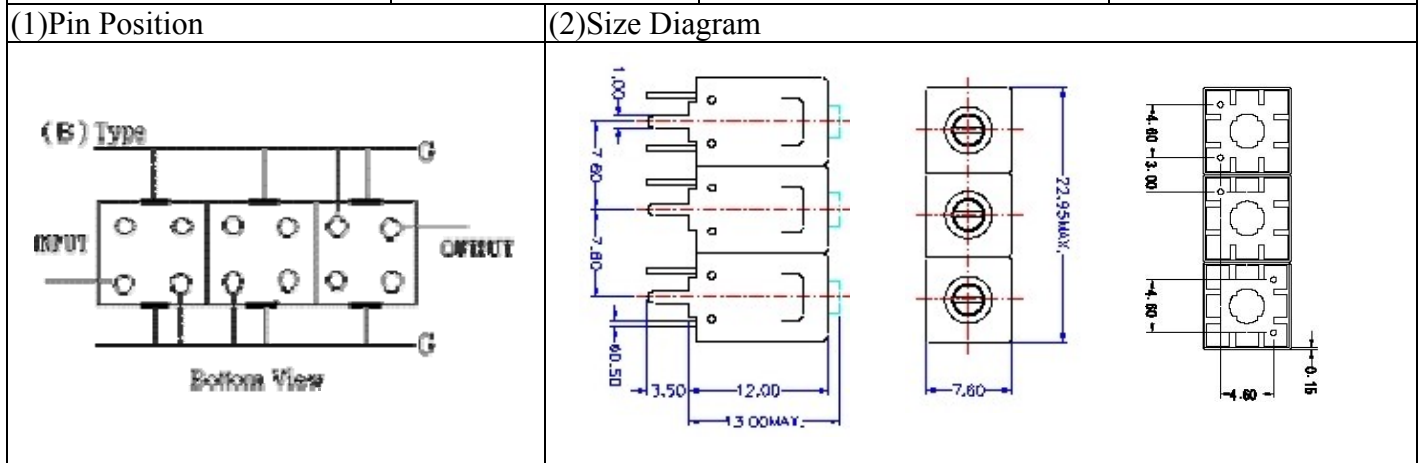


VHF UHF Helical Filter Specification Sheet

Customer Name		Temwell's Part No.	TT6722B-285M
Approval No. /dated		Temwell's Print name.	6722B 285M
Work Instruction No.	201312070ED	Date	Dec.18.2013



(3) Electric Characteristic

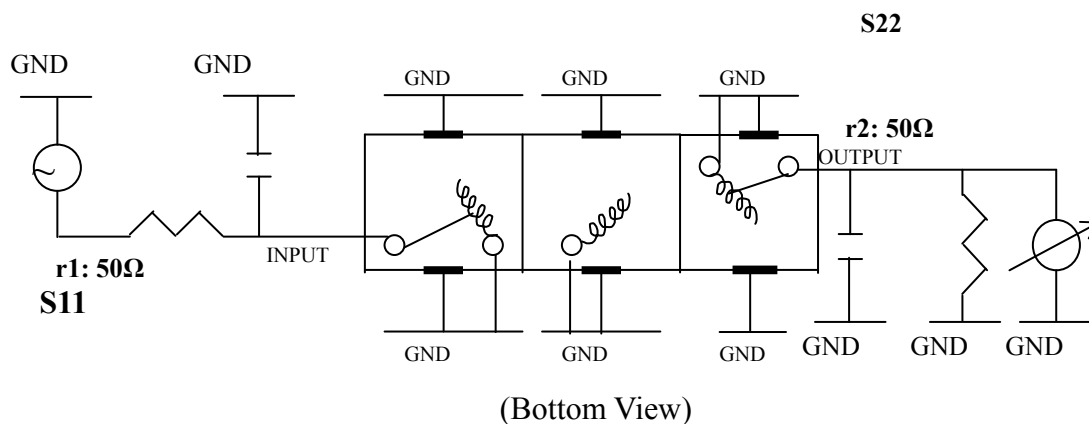
Item	Specify	Performance	
Center Freq.(Fo) +/- 0.5 %	285 MHz	285 MHz	
Insertion Loss	Typ. 3.0 dB	2.53 dB	
-3 dB Bandwidth	Typ. 10 MHz	12.2 MHz	
Sensitivity (Attenuation)	Fo - (50) MHz	Typ. 62 dBc	84 dBc
	Fo + (50) MHz	Typ. 51 dBc	59 dBc
	Fo - () MHz	Typ. dBc	dBc
	Fo + () MHz	Typ. dBc	dBc
Return Loss	Min. 12 dB	28.5 dB	
Ripple	< 1 dB	dB	
Impedance	In / Out : 50 Ω	In / Out : 50 Ω	
(4) Torque for Tuning Screw	> 60gf · cm		

(5) Temperature Condition:

Operating Temperature	0°C ~ +60°C
Storage Temperature	-20°C ~ +70°C

(6) Input Power

(7) Measuring Circuit: ※Easy to match Impedance S11/S22 50Ω by parallel with about () / ().



Approval	Supervisor	Designer	Aperture size
C.Y.Chang	C.K.Chang	F.L.Lai	7H3S(4*6.5)(6.55) 7H046LB4.3 聚 3

TEMWELL CORPORATION

TEMWELL

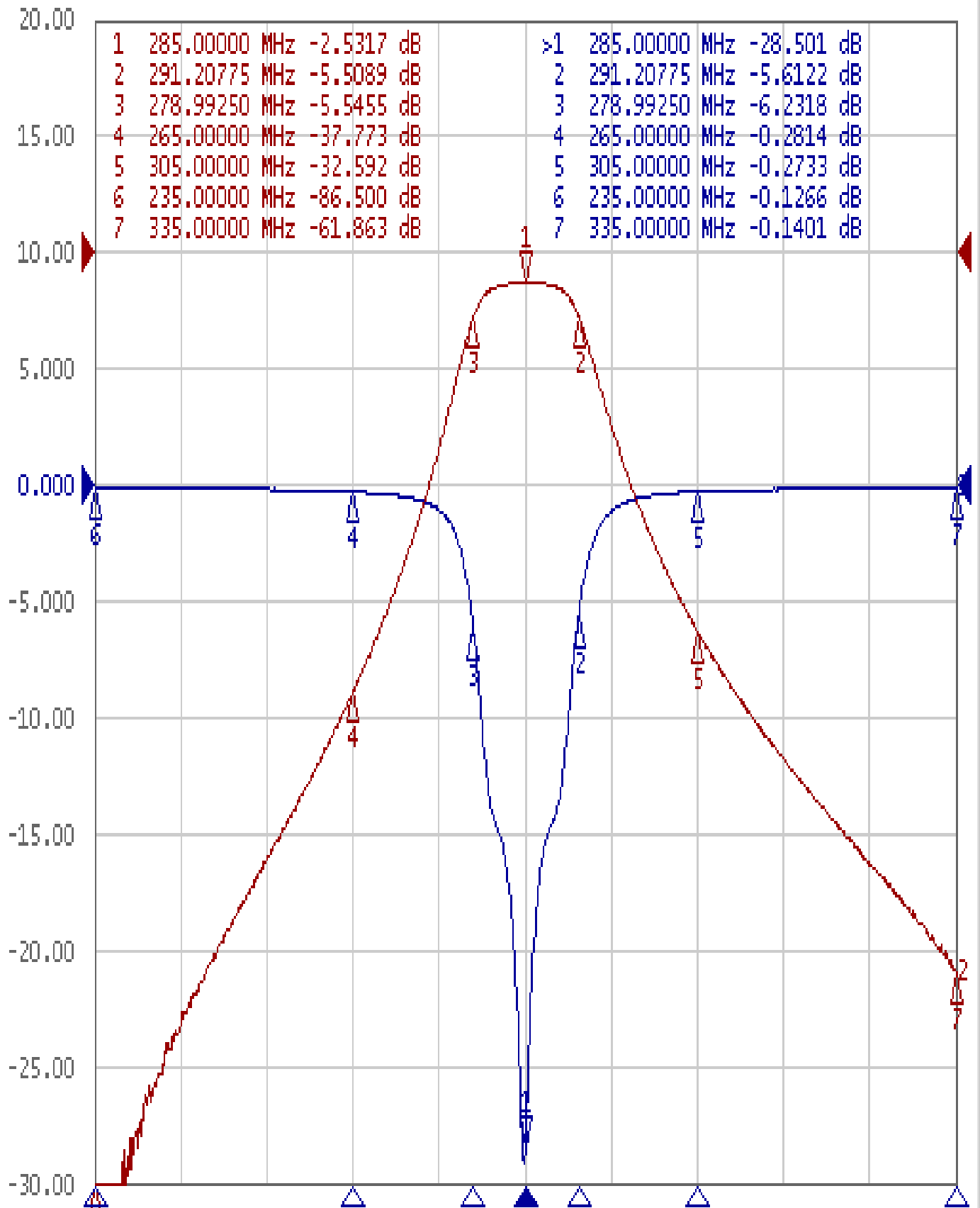
Form10-7H3B Vision D

RP(F.L.L)

Performance-TT6722B-285M

201312070ED

Tr1 S11 Log Mag 5.000dB/ Ref 0.000dB [F2]
Tr2 S21 Log Mag 10.00dB/ Ref 0.000dB [F2]



1 Center 285 MHz

IFBW 10 kHz

Span 100 MHz Cor !