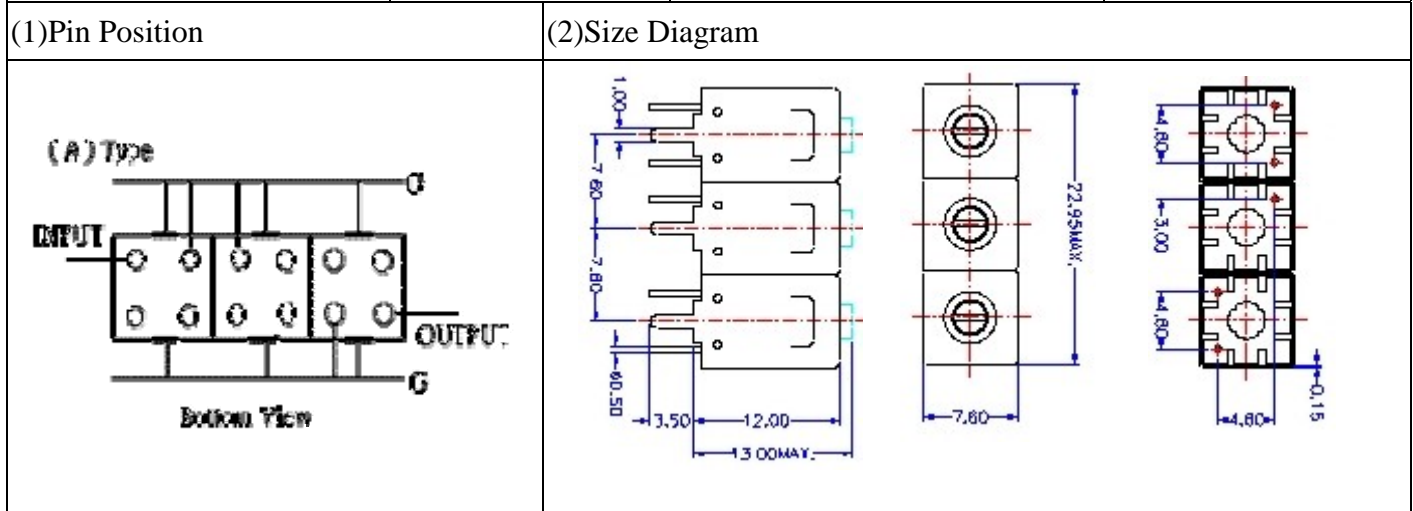


VHF UHF Helical Filter Specification Sheet

Customer Name		Temwell's Part No.	TT67230A-730M
Approval No. /dated	2008030B	Acceptable Specify Fo. Range	701~750MHz
Work Instruction No.	2008030B	Date	Aug.07.2000

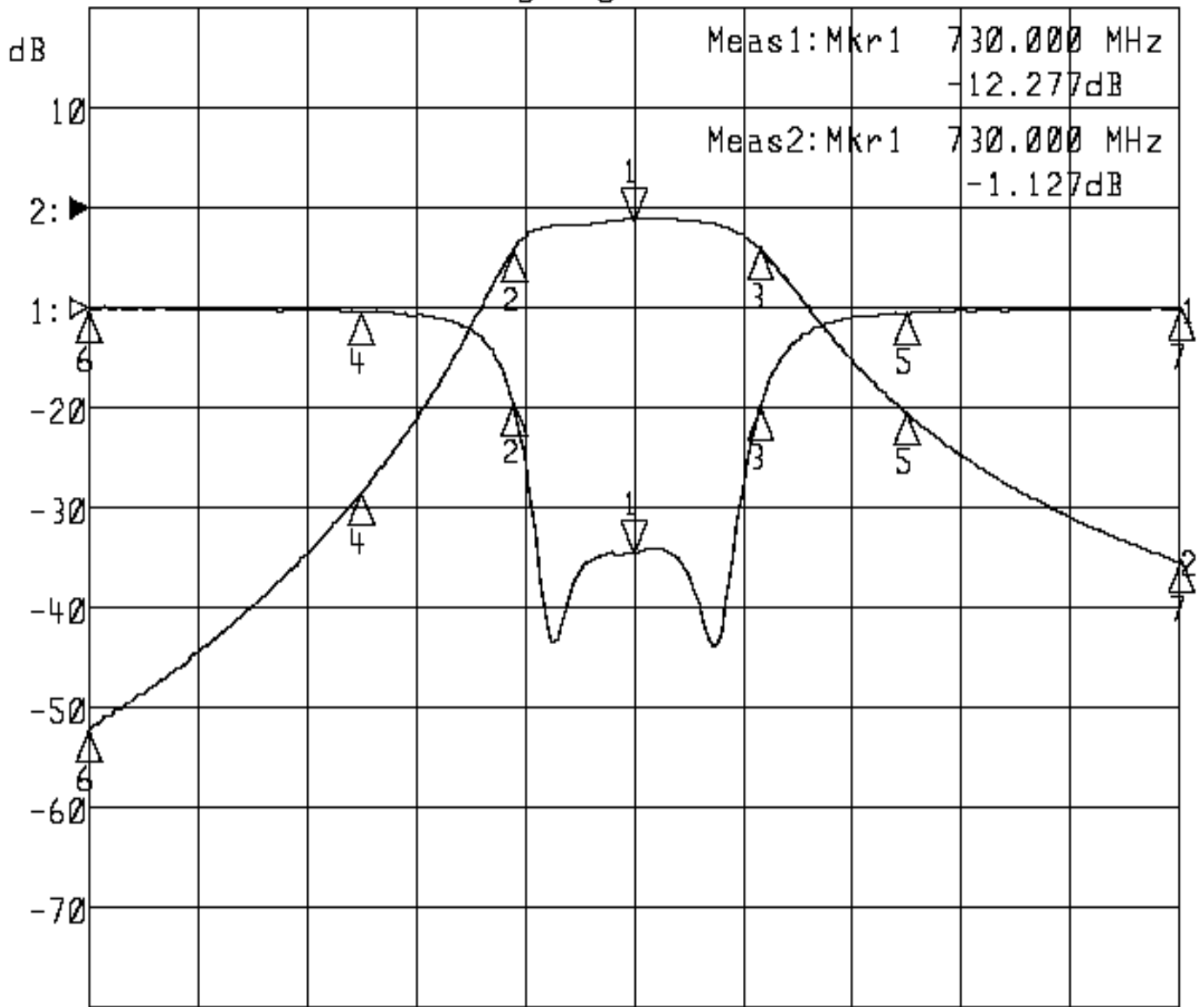


(3) Electric Character			
Item		Specify	Performance
Center Freq.(Fo) +/- 0.5 %		730 MHz	730 MHz
Tunable Range		730±3 MHz	730±3 MHz
Insertion Loss		Typ. 2.5 dB	1.1 dB
-3 dB Bandwidth		Typ. 40 MHz	45 MHz
Sensitivity (Attenuation)	Fo - 50 MHz	Typ. 24 dBc	27 dBc
	Fo + 50 MHz	Typ. 16 dBc	19 dBc
	Fo - ()MHz	Typ. dBc	dBc
	Fo + ()MHz	Typ. dBc	dBc
Return Loss		Min. 12 dB	12 dB
Ripple		< 1 dB	dB
Impedance		In / Out : 50 Ω	In / Out : 50 Ω
(4) Torque for Tuning Screw		> 100gf · cm	
(5) Temperature Condition:			
Operating Temperature		0°C ~ +60°C	
Storage Temperature		-20°C ~ +70°C	
(6) Input Power		> 1Watt	
Approval	Supervisor	Designer	Aperture size
C.Y.Chang	C.S.Chang	C.S.Chang	7H3S(4*7.5) 7H046LB4 聚 3
TEMWELL CORPORATION			

Performance-TT67230A-730M

2008030B

▶1:S11 Refl Port1 Log Mag 5.0 dB/ Ref 0.00 dB C
▶2:S21 Fwd Trans Log Mag 10.0 dB/ Ref 0.00 dB C



Center 730.000 MHz

Span 200.000 MHz

1: Mkr (MHz)	dB	2: Mkr (MHz)	dB
1> 730.0000	-12.277	1> 730.0000	-1.127
2: 707.9333	-4.794	2: 707.9333	-4.129
3: 753.0667	-5.060	3: 753.0667	-4.054
4: 680.0000	-0.250	4: 680.0000	-28.571
5: 780.0000	-0.287	5: 780.0000	-20.497
6: 630.0000	-0.063	6: 630.0000	-52.140
7: 830.0000	-0.050	7: 830.0000	-35.355