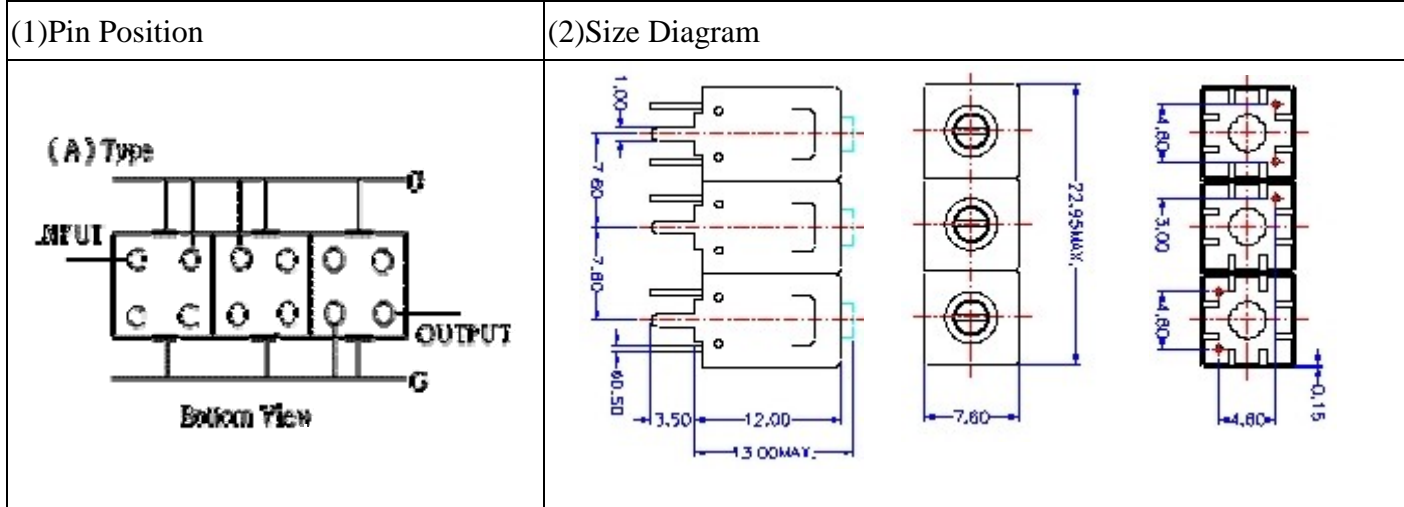


VHF UHF Helical Filter Specification Sheet

Customer Name		Temwell's Part No.	TT67231A-780M
Approval No. /dated	2008031B	Acceptable Specify Fo. Range	751~800MHz
Work Instruction No.	2008031B	Date	Aug.09.2000



(3) Electric Character

Item	Specify	Performance
Center Freq.(Fo) +/- 0.5 %	780 MHz	780 MHz
Tunable Range	780±5 MHz	780±5 MHz
Insertion Loss	Typ. 3.5 dB	2.2 dB
-3 dB Bandwidth	Typ. 35 MHz	39 MHz
Sensitivity (Attenuation)	Fo - 50 MHz	Typ. 22 dBc
	Fo + 50 MHz	Typ. 13 dBc
	Fo - ()MHz	Typ. dBc
	Fo + ()MHz	Typ. dBc
Return Loss	Min. 12 dB	38.2 dB
Ripple	< 1 dB	dB
Impedance	In / Out : 50 Ω	In / Out : 50 Ω
(4) Torque for Tuning Screw	> 100gf • cm	

(5) Temperature Condition:

Operating Temperature	0°C ~ +60°C
Storage Temperature	-20°C ~ +70°C

(6) Input Power

	> 1Watt
--	---------

Approval	Supervisor	Designer	Aperture size
C.Y.Chang	C.S.Chang	C.S.Chang	7H3S(4*7.5) 7H046LB4 聚 3

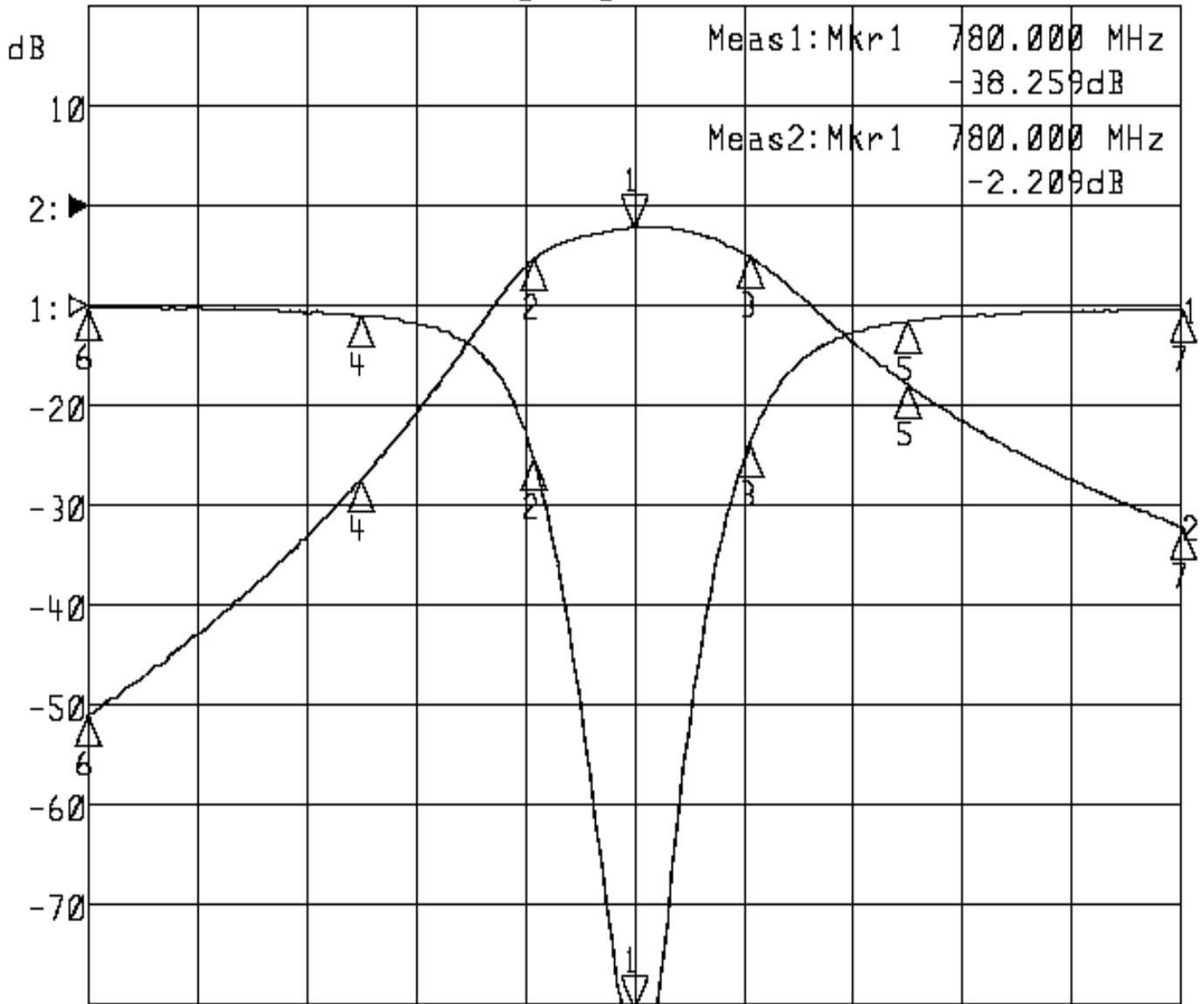
TEMWELL CORPORATION

Performance-TT67231A-780M

2008031B

▶1:S11 Refl Port1 Log Mag 5.0 dB/ Ref 0.00 dB C

▶2:S21 Fwd Trans Log Mag 10.0 dB/ Ref 0.00 dB C



Center 780.000 MHz

Span 200.000 MHz

1: Mkr (MHz)	dB	2: Mkr (MHz)	dB
1> 780.0000	-38.259	1> 780.0000	-2.209
2: 761.6000	-7.642	2: 761.6000	-5.336
3: 801.0000	-6.940	3: 801.0000	-5.109
4: 730.0000	-0.504	4: 730.0000	-27.391
5: 830.0000	-0.801	5: 830.0000	-17.904
6: 680.0000	-0.084	6: 680.0000	-50.967
7: 880.0000	-0.232	7: 880.0000	-32.149