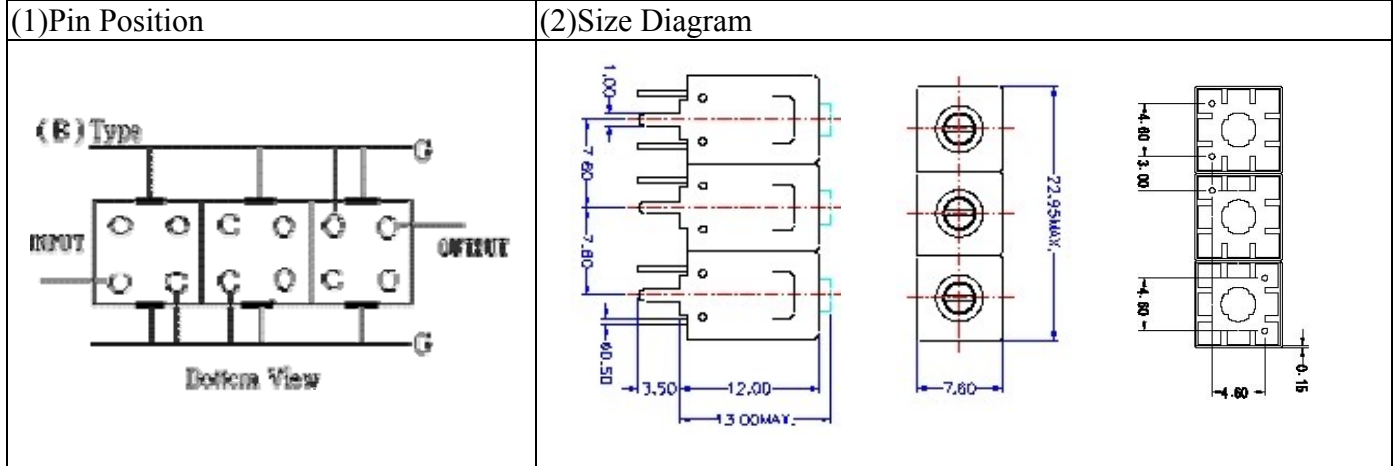


VHF UHF Helical Filter Specification Sheet

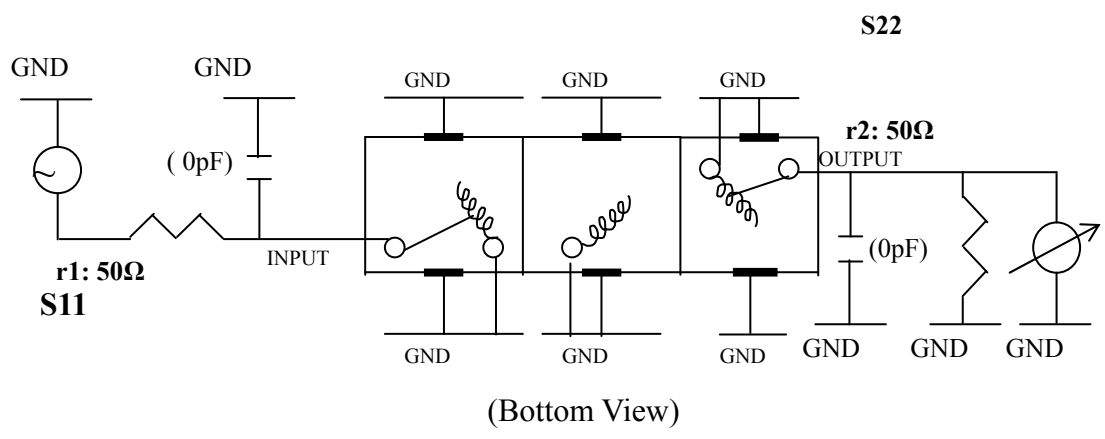
Customer Name		Temwell's Part No.	TT67239B-140M
Approval No. /dated	20203051B	Acceptable Specify Fo Range	126~145MHz
Work Instruction No.	20203051B	Date	Mar.21.2002



(3) Electric Characteristic		Item	Specify	Performance
Center Freq.(Fo) +/- 0.5 %			140 MHz	140 MHz
Insertion Loss		Typ.	2.5 dB	1.20 dB
-3 dB Bandwidth		Typ.	30 MHz	32 MHz
Sensitivity (Attenuation)	Fo - 50 MHz	Typ.	70 dBc	77 dBc
	Fo + 50 MHz	Typ.	27 dBc	30 dBc
	Fo - ()MHz	Typ.	dBc	dBc
	Fo + ()MHz	Typ.	dBc	dBc
Return Loss		Min.	12 dB	38 dB
Ripple			< 1 dB	dB
Impedance			In / Out : 50 Ω	In / Out : 50 Ω
(4) Torque for Tuning Screw			> 60gf · cm	

(5) Temperature Condition:	
Operating Temperature	0°C ~ +60°C
Storage Temperature	-20°C ~ +70°C
(6) Input Power	> 1Watt

(7) Measuring Circuit: ※Easy to match Impedance S11/S22 50Ω by parallel with about(0pF) / (0pF).



Approval	Supervisor	Designer	Aperture size
C.Y.Chang	C.S.Chang	C.S.Chang	7H3S(4*8.0F) (7H00LB6)

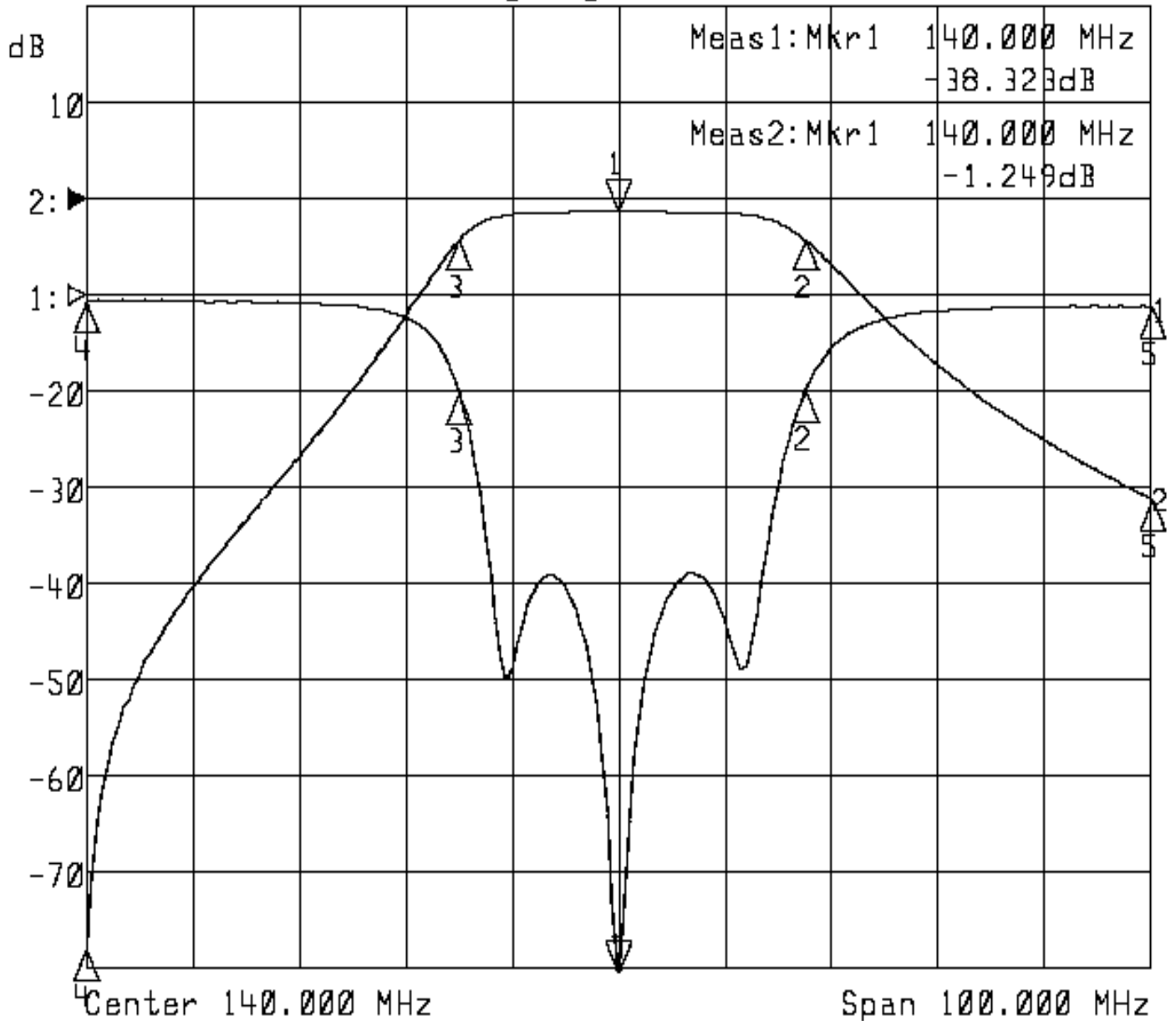
TEMWELL CORPORATION

Performance-TT67239B-140M

20203051B

▶1:S11 Refl Port1 Log Mag 5.0 dB/ Ref 0.00 dB C

▶2:S21 Fwd Trans Log Mag 10.0 dB/ Ref 0.00 dB C



1:Mkr (MHz)	dB	2:Mkr (MHz)	dB
1> 140.0000	-38.323	1> 140.0000	-1.249
2: 157.5333	-5.039	2: 157.5333	-4.269
3: 125.0667	-5.072	3: 125.0667	-4.273
4: 90.0000	-0.321	4: 90.0000	-77.962
5: 190.0000	-0.628	5: 190.0000	-31.147