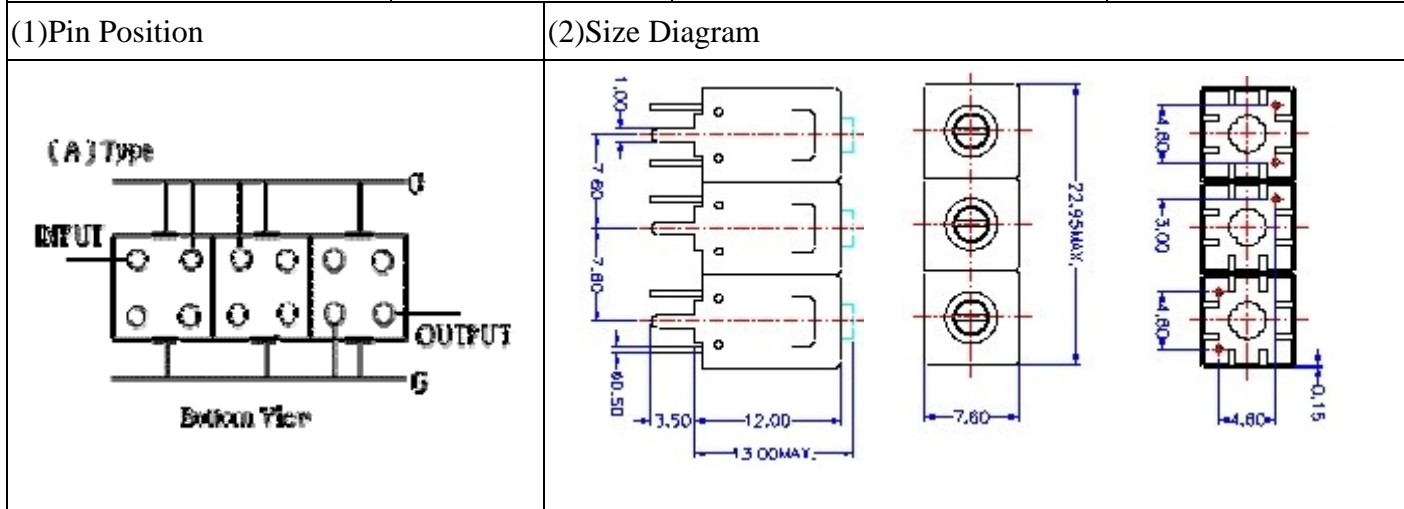


VHF UHF Helical Filter Specification Sheet

Customer Name		Temwell's Part No.	TT67245A-845M
Approval No. /dated	P005009B	Acceptable Specify Fo. Range	831~860MHz
Work Instruction No.	P005009B	Date	May.11.2000



(3) Electric Character

Item	Specify	Performance	
Center Freq.(Fo) +/- 0.5 %	845 MHz	845 MHz	
Tunable Range	845±10 MHz	845±10 MHz	
Insertion Loss	Typ. 4.5 dB	3.3 dB	
-3 dB Bandwidth	Typ. 15 MHz	23 MHz	
Sensitivity (Attenuation)	Fo - 50 MHz	Typ. 37 dBc	39 dBc
	Fo + 50 MHz	Typ. 29 dBc	31 dBc
	Fo - ()MHz	Typ. dBc	dBc
	Fo + ()MHz	Typ. dBc	dBc
Return Loss	Min. 12 dB	29.6 dB	
Ripple	< 1 dB	dB	
Impedance	In / Out : 50 Ω	In / Out : 50 Ω	
(4) Torque for Tuning Screw	> 100gf • cm		

(5) Temperature Condition:

Operating Temperature	0°C ~ +60°C
Storage Temperature	-20°C ~ +70°C

(6) Input Power

	> 1Watt
--	---------

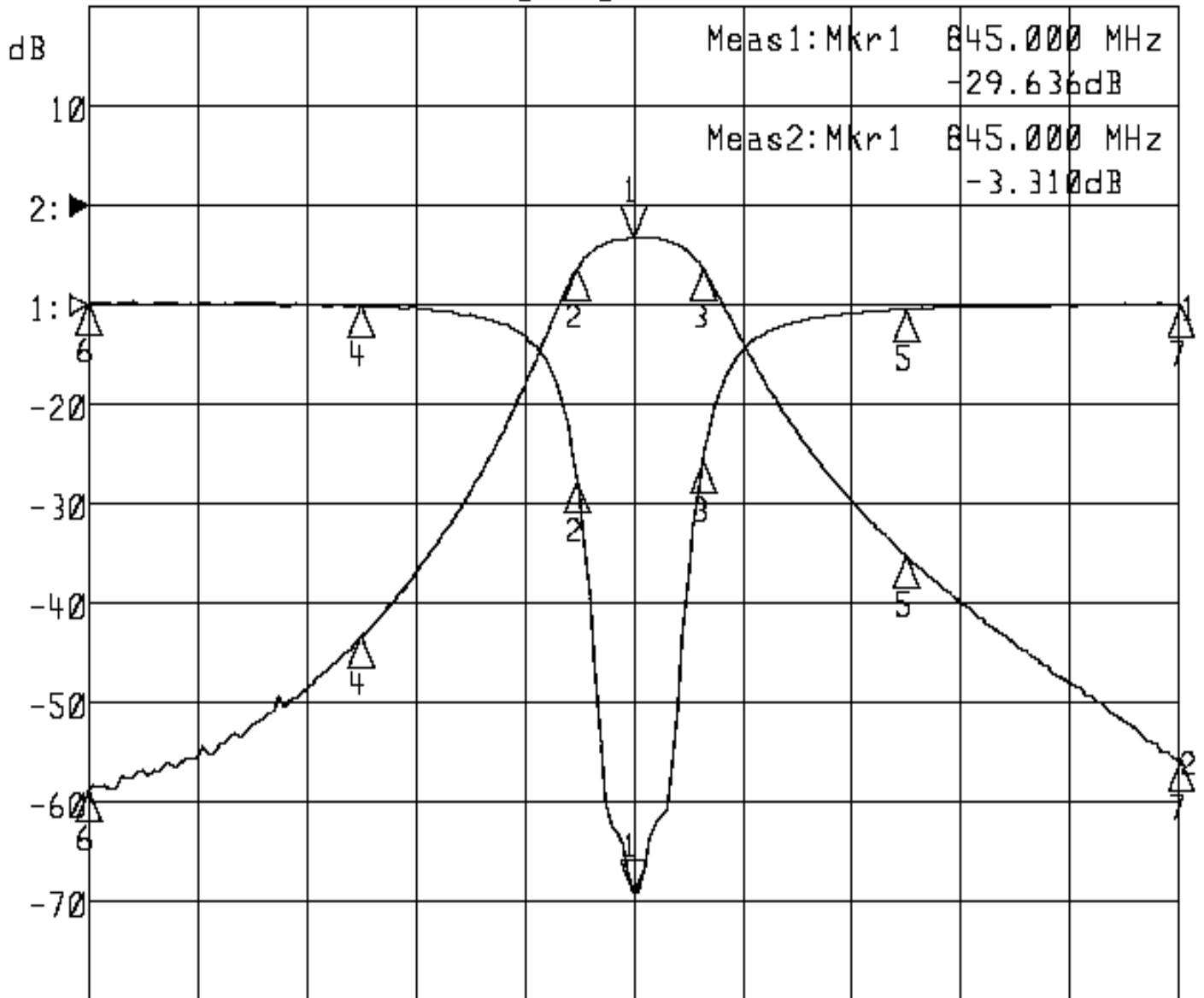
Approval	Supervisor	Designer	Aperture size
C.Y.Chang	C.S.Chang	P.H.Chiang	7H3(4*5.5) 7H046LB4 聚 3

TEMWELL CORPORATION

Performance-TT67245A-845M

P005009B

▶1:S11 Refl Port1 Log Mag 5.0 dB/ Ref 0.00 dB C
 ▶2:S21 Fwd Trans Log Mag 10.0 dB/ Ref 0.00 dB C



Meas1:Mkr1 845.000 MHz
 -29.636dB
 Meas2:Mkr1 845.000 MHz
 -3.310dB

Center 845.000 MHz

Span 200.000 MHz

1:Mkr (MHz)	dB	2:Mkr (MHz)	dB
1> 845.0000	-29.636	1> 845.0000	-3.310
2: 834.7333	-8.817	2: 834.7333	-6.294
3: 857.6667	-7.934	3: 857.6667	-6.285
4: 795.0000	-0.008	4: 795.0000	-43.295
5: 895.0000	-0.226	5: 895.0000	-35.225
6: 745.0000	0.093	6: 745.0000	-58.803
7: 945.0000	-0.022	7: 945.0000	-55.812