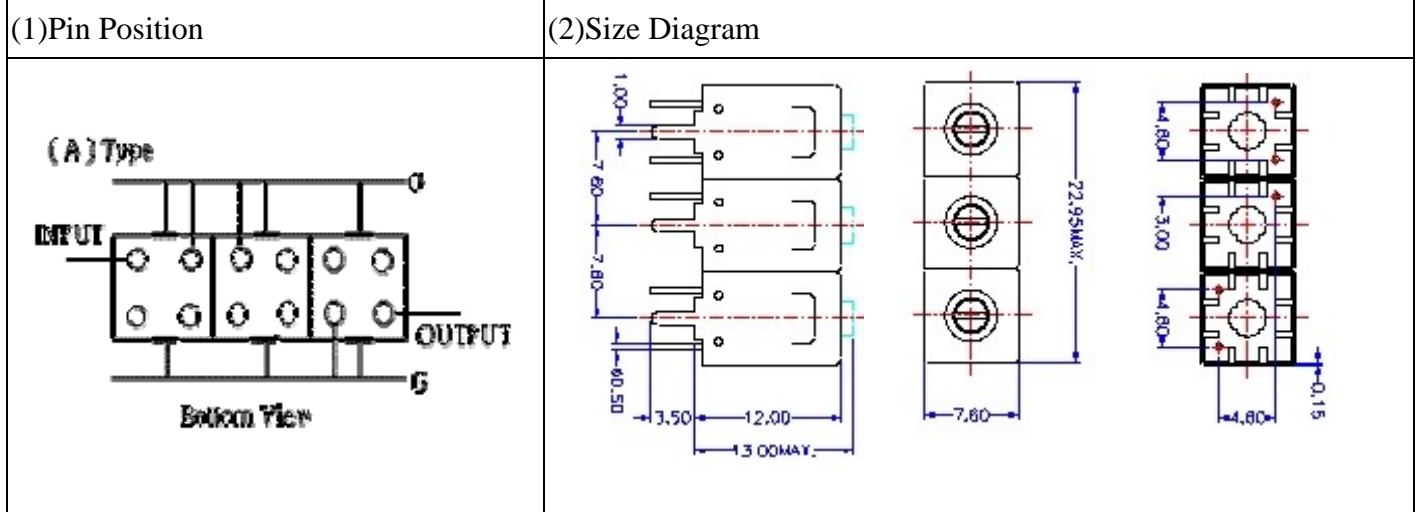


VHF UHF Helical Filter Specification Sheet

Customer Name		Temwell's Part No.	TT67249A-940M
Approval No. /dated	9804103	Acceptable Specify Fo. Range	931~950MHz
Work Instruction No.	9804103	Date	Apr.27.1998

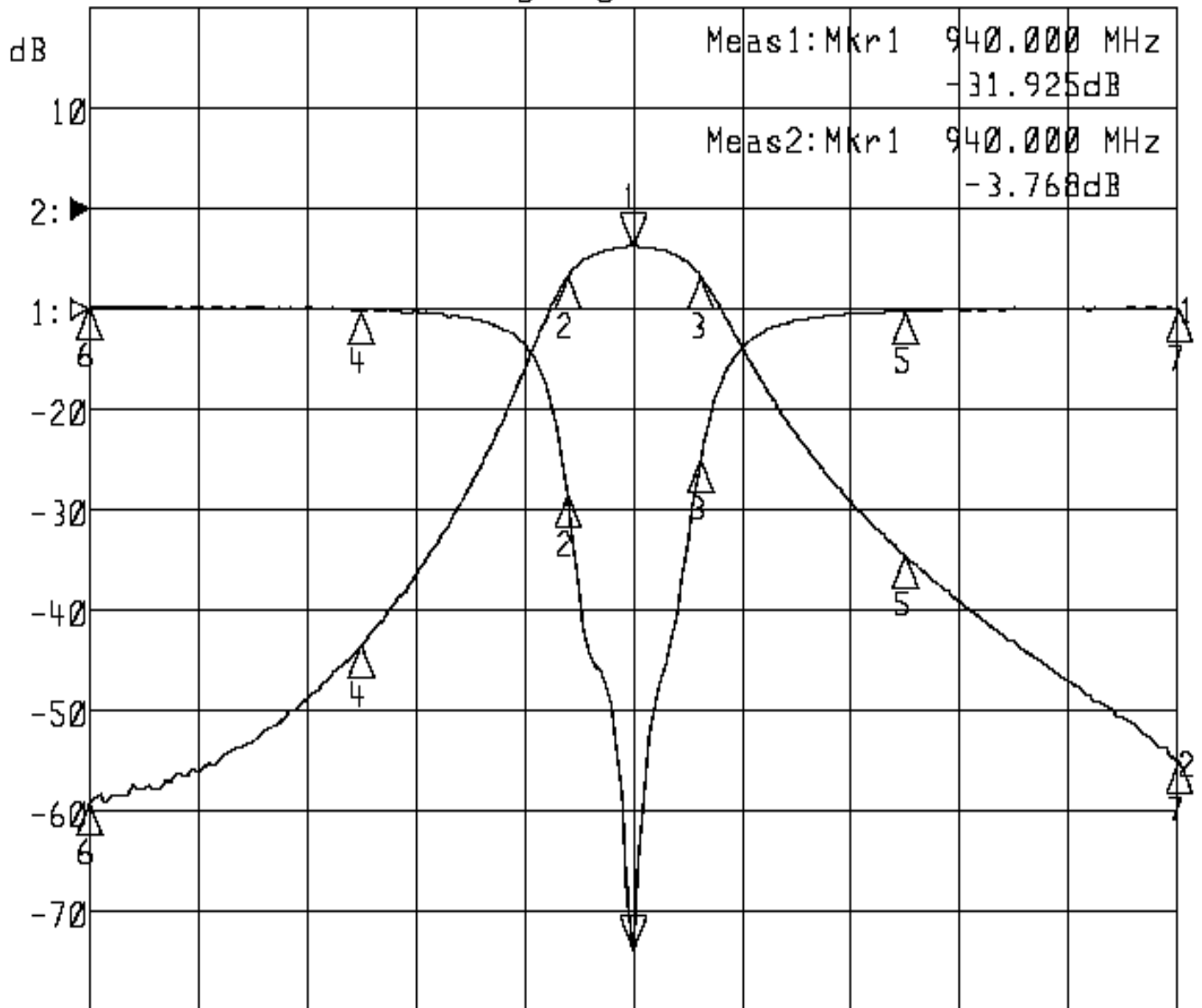


(3)Electric Character			
Item		Specify	Performance
Center Freq.(Fo) +/- 0.5 %		940 MHz	940 MHz
Tunable Range		940±10 MHz	940±10 MHz
Insertion Loss		Typ. 5.0 dB	3.7 dB
-3 dB Bandwidth		Typ. 19 MHz	24 MHz
Sensitivity (Attenuation)	Fo - 50 MHz	Typ. 37 dBc	39 dBc
	Fo + 50 MHz	Typ. 28 dBc	30 dBc
	Fo - ()MHz	Typ. dBc	dBc
	Fo +()MHz	Typ. dBc	dBc
Return Loss		Min. 12 dB	31.9 dB
Ripple		< 1 dB	dB
Impedance		In / Out : 50 Ω	In / Out : 50 Ω
(4)Torque for Tuning Screw		> 100gf • cm	
(5)Temperature Condition:			
Operating Temperature		0°C ~ +60°C	
Storage Temperature		-20°C ~ +70°C	
(6)Input Power		> 1Watt	
Approval	Supervisor	Designer	Aperture size
C.Y.Chang	C.S.Chang	C.S.Chang	7H3S(4*4.65) 7H046LB4 聚 3
TEMWELL CORPORATION			

Performance-TT67249A-940M

9804103

▶1:S11 Refl Port1 Log Mag 5.0 dB/ Ref 0.00 dB C
▶2:S21 Fwd Trans Log Mag 10.0 dB/ Ref 0.00 dB C



Center 940.000 MHz

Span 200.000 MHz

1: Mkr (MHz)	dB	2: Mkr (MHz)	dB
1> 940.0000	-31.925	1> 940.0000	-3.768
2: 928.0000	-9.245	2: 928.0000	-6.738
3: 952.4667	-7.454	3: 952.4667	-6.716
4: 890.0000	-0.078	4: 890.0000	-43.431
5: 990.0000	-0.100	5: 990.0000	-34.528
6: 840.0000	0.102	6: 840.0000	-59.232
7: 1040.0000	0.037	7: 1040.0000	-55.021