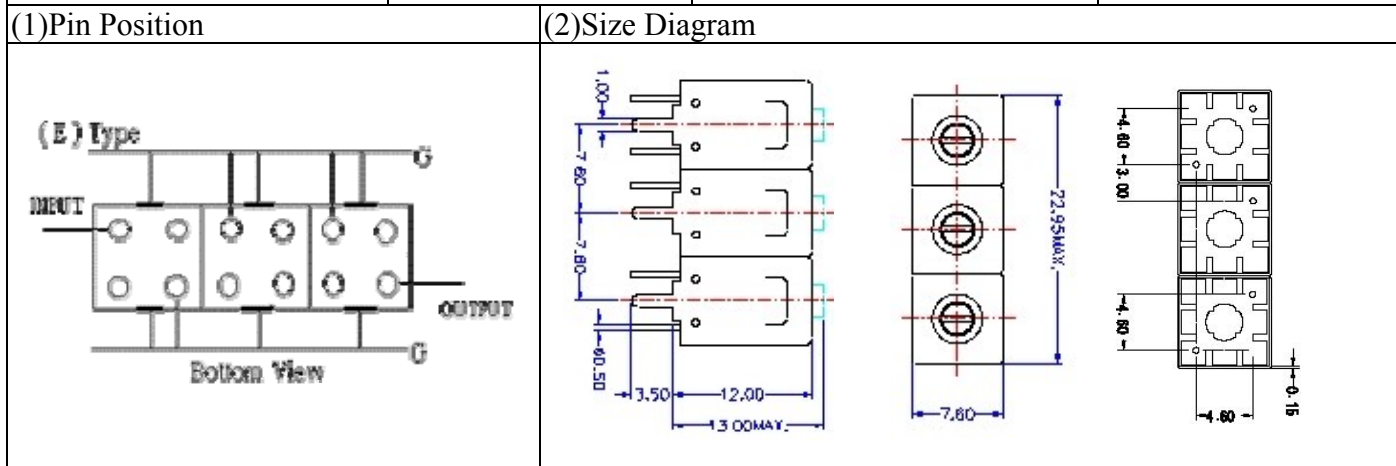


# VHF UHF Helical Filter Specification Sheet

Customer Name		Temwell's Part No.	TT67257E-308M
Approval No. /dated	0903037CD	Customer's Part No.	67257E 308M
Work Instruction No.	200903037CD	Date	Mar.11.2009



(3) Electric Characteristic

Item	Specify	Performance	
Center Freq.(Fo ) +/- 0.5 %	308 MHz	308 MHz	
Insertion Loss	Typ. 3.0 dB	2.30 dB	
-3 dB Bandwidth	Typ. 10 MHz	12.9 MHz	
Sensitivity (Attenuation)	Fo - 20 MHz	Typ. 27 dBc	30 dBc
	Fo + 20 MHz	Typ. 25 dBc	28 dBc
	Fo - ( )MHz	Typ. dBc	dBc
	Fo +( )MHz	Typ. dBc	dBc
Return Loss	Min. 12 dB	22.1 dB	
Ripple	< 1 dB	dB	
Impedance	In / Out : 50 Ω	In / Out : 50 Ω	
(4) Torque for Tuning Screw	> 100gf · cm		

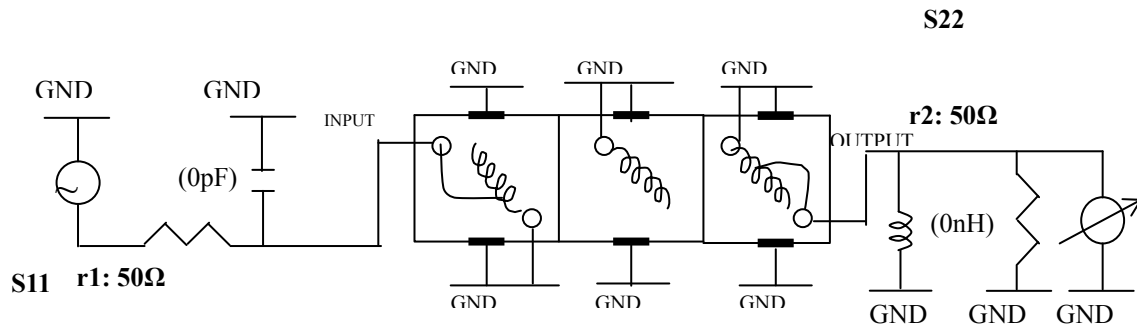
(5) Temperature Condition:

Operating Temperature	0°C ~ +60°C
Storage Temperature	-20°C ~ +70°C

(6) Input Power

> 1 Watt

(7) Measuring Circuit: ※Easy to match Impedance S11/S22 50Ω by parallel with about(0pF) / (0nH).



(Bottom View)

Approval	Supervisor	Designer	Aperture size
C.Y.Chang	C.K.Chang	C.S.Chang	7H3S(4*5.5F)(5.60) 7H046LB5

TEMWELL CORPORATION

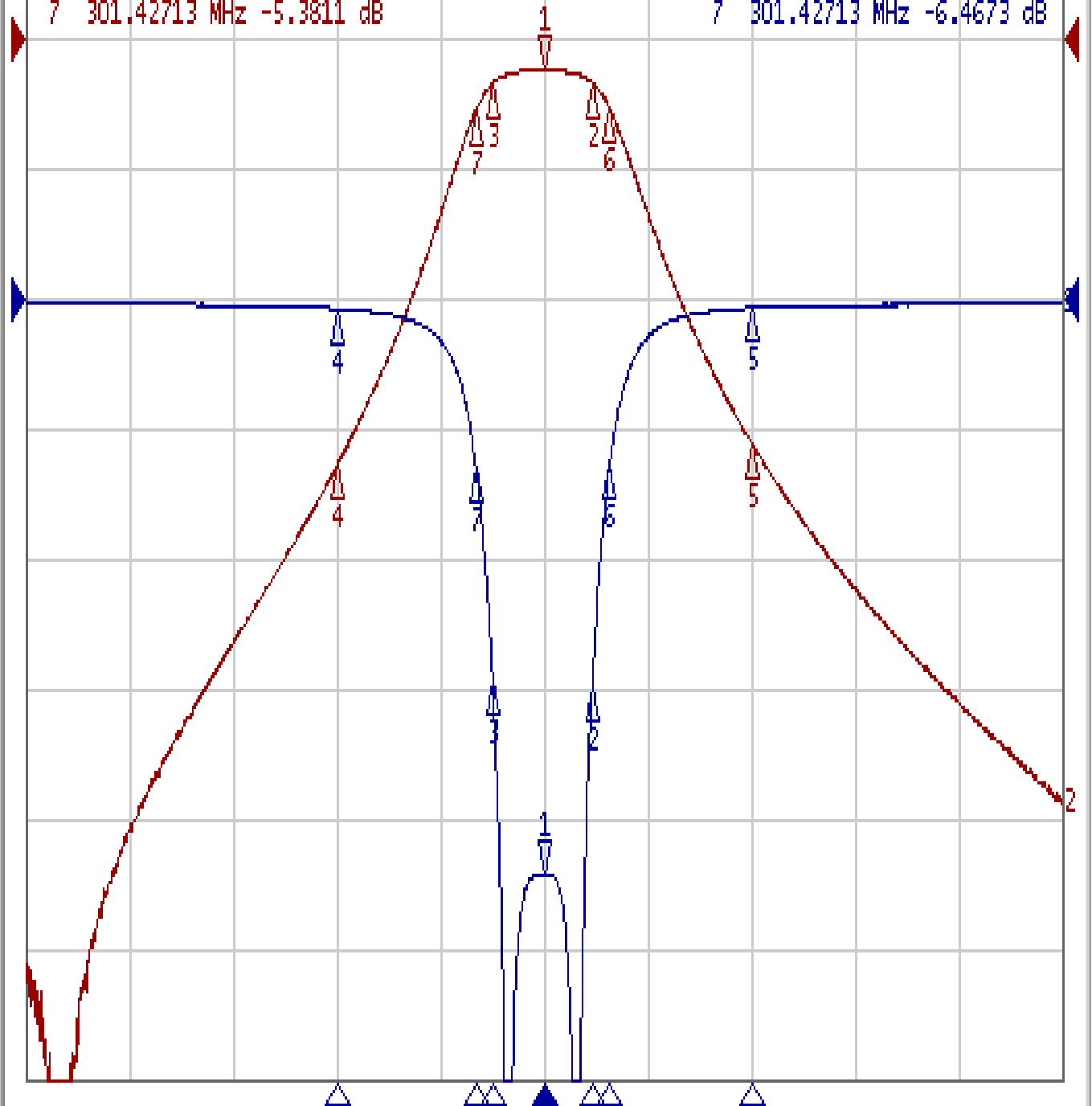
# Performance-TT67257E-308M

## 200903037CD

Tr1 S11 Log Mag 5.000dB/ Ref 0.000dB [F3]  
Tr2 S21 Log Mag 10.00dB/ Ref 0.000dB [F3]

1	308.00000 MHz	-2.3005 dB
2	312.63413 MHz	-3.2689 dB
3	303.02813 MHz	-3.3282 dB
4	288.00000 MHz	-32.756 dB
5	328.00000 MHz	-30.977 dB
6	314.33500 MHz	-5.3011 dB
7	301.42713 MHz	-5.3811 dB

>1	308.00000 MHz	-22.180 dB
2	312.63413 MHz	-14.884 dB
3	303.02813 MHz	-14.693 dB
4	288.00000 MHz	-0.3347 dB
5	328.00000 MHz	-0.3029 dB
6	314.33500 MHz	-6.3698 dB
7	301.42713 MHz	-6.4673 dB



1 Center 308 MHz

IFBW 10 kHz

Span 100 MHz

