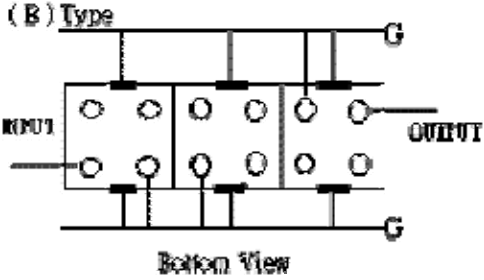
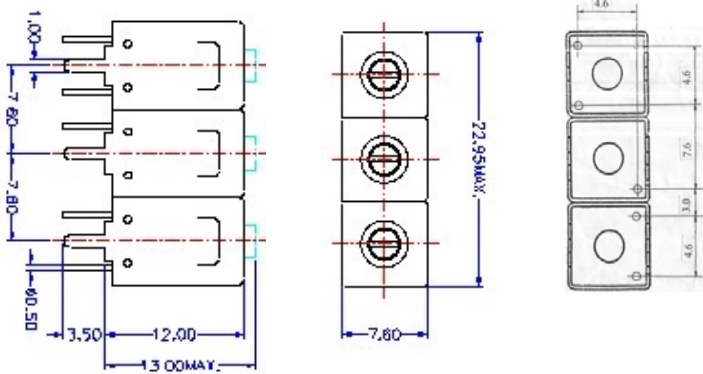


# VHF UHF Helical Filter Specification Sheet

Customer Name		Temwell's Part No.	TT67273B-140M
Approval No. /dated	20203002B	Acceptable Specify Fo. Range	126~145MHz
Work Instruction No.	20203002B	Date	Mar.05.2002

(1)Pin Position	(2)Size Diagram
 <p style="text-align: center;">Bottom View</p>	

(3)Electric Character			
Item	Specify	Performance	
Center Freq.(Fo ) +/- 0.5 %	140 MHz	140 MHz	
Tunable Range	140±2 MHz	140±2 MHz	
Insertion Loss	Typ 2.0 dB	1.2 dB	
-3 dB Bandwidth	Typ 27 MHz	28 MHz	
Sensitivity (Attenuation)	Fo - 50 MHz	Typ. 43 dBc	45 dBc
	Fo + 50 MHz	Typ. 32 dBc	34 dBc
	Fo - ( )MHz	Typ. dBc	dBc
	Fo +( )MHz	Typ. dBc	dBc
Return Loss	Min. 12 dB	29 dB	
Ripple	< 1 dB	dB	
Impedance	In / Out : 50 Ω	In / Out : 50 Ω	

(4)Torque for Tuning Screw	> 100gf • cm
----------------------------	--------------

(5)Temperature Condition:	
Operating Temperature	0°C ~ +60°C
Storage Temperature	-20°C ~ +70°C

(6)Input Power	> 1Watt
----------------	---------

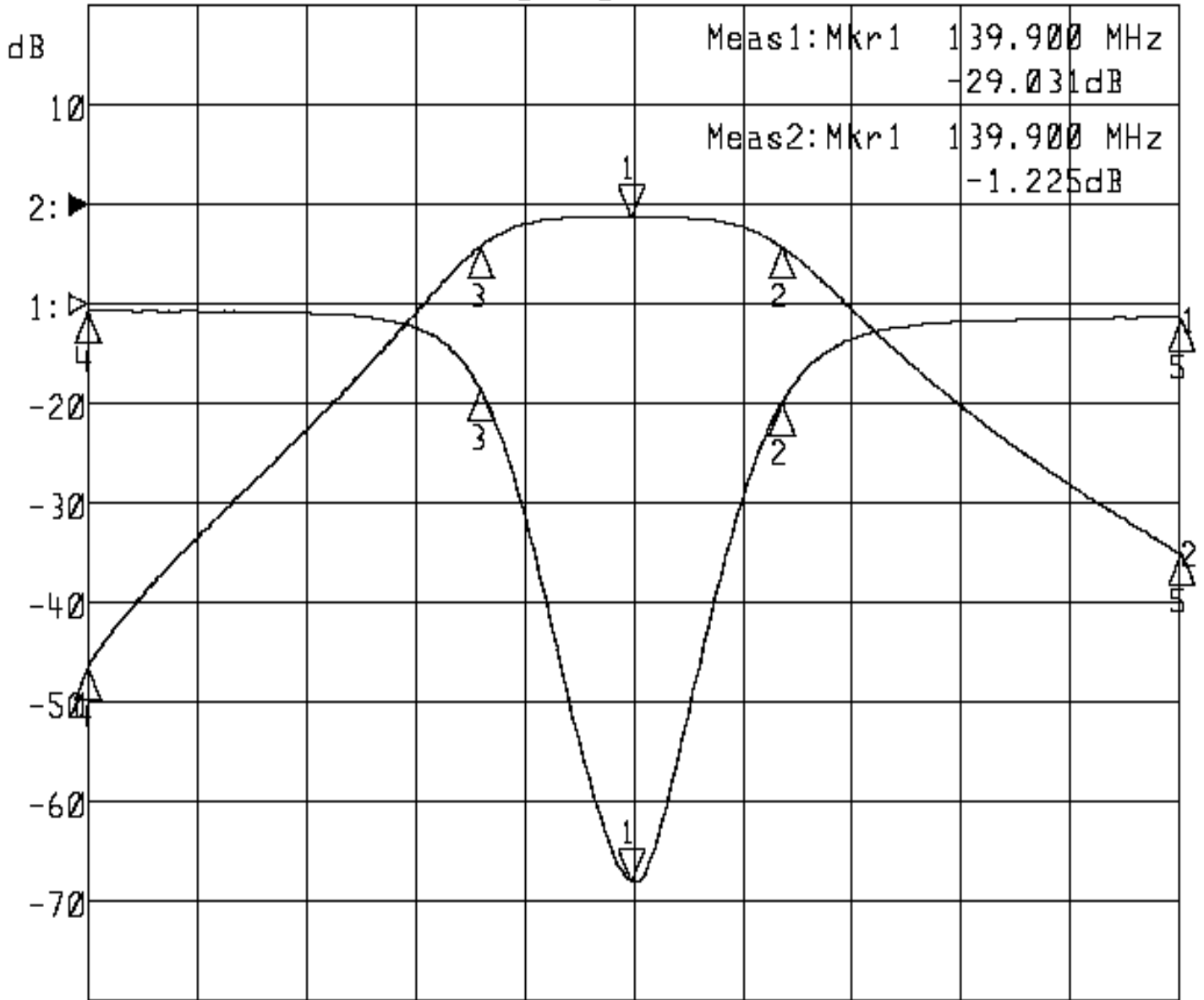
Approval	Supervisor	Designer	Aperture size
C.Y. Chang	C.S. Chang	C.S. Chang	7H3S(4*7.5)F 7H00LB6

TEMWELL CORPORATION

# Performance-TT67273B-140M

## 20203002B

▷1:S11 Refl Port1 Log Mag 5.0 dB/ Ref 0.00 dB C  
▶2:S21 Fwd Trans Log Mag 10.0 dB/ Ref 0.00 dB C



Center 140.000 MHz

Span 100.000 MHz

1:Mkr (MHz)	dB	2:Mkr (MHz)	dB
1> 139.9000	-29.031	1> 139.9000	-1.225
2: 153.5667	-4.958	2: 153.5667	-4.249
3: 125.9333	-4.198	3: 125.9333	-4.251
4: 90.0000	-0.332	4: 90.0000	-46.422
5: 190.0000	-0.695	5: 190.0000	-35.015