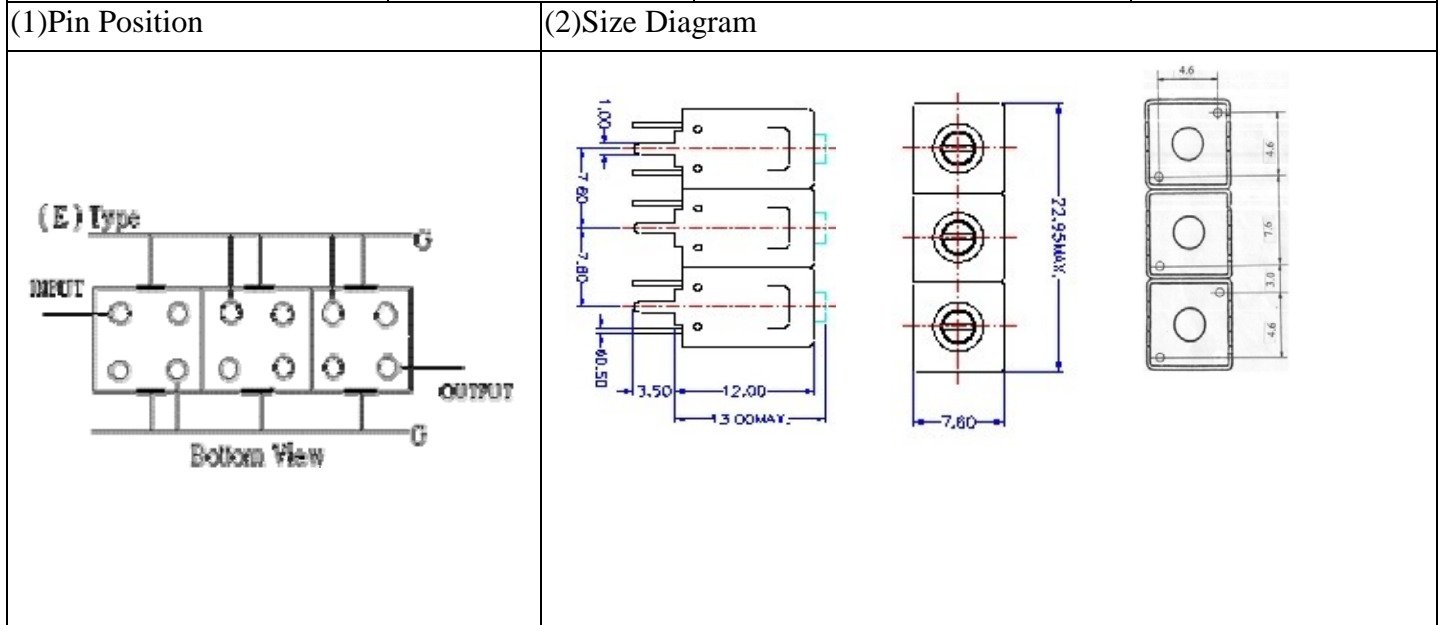


VHF UHF Helical Filter Specification Sheet

Customer Name		Temwell's Part No.	TT67275E3-430M
Approval No. /dated	20106013B	Acceptable Specify Fo Range	401~455MHz
Work Instruction No.	20106013B	Date	June.06.2001



(3) Electric Characteristic

Item	Specify	Performance	
Center Freq.(Fo) +/- 0.5 %	430 MHz	430 MHz	
Tunable Range:	430±5 MHz	430±5 MHz	
Insertion Loss	Typ. 3.0 dB	2.2 dB	
-1 dB Bandwidth	Typ. 8 MHz	11 MHz	
-3 dB Bandwidth	Typ. 11 MHz	14 MHz	
Sensitivity (Attenuation)	Fo - 30 MHz	Typ. 27 dBc	30 dBc
	Fo + 30 MHz	Typ. 29 dBc	32 dBc
	Fo - ()MHz	Typ. dBc	dBc
	Fo +()MHz	Typ. dBc	dBc
Return Loss	Min. 12 dB	20.6 dB	
Ripple	< 1 dB	dB	
Impedance	In / Out : 50 Ω	In / Out : 50 Ω	

(4) Torque for Tuning Screw > 100gf · cm

(5) Temperature Condition:

Operating Temperature	0°C ~ +60°C
Storage Temperature	20°C ~ +70°C

(6) Input Power > 1Watt

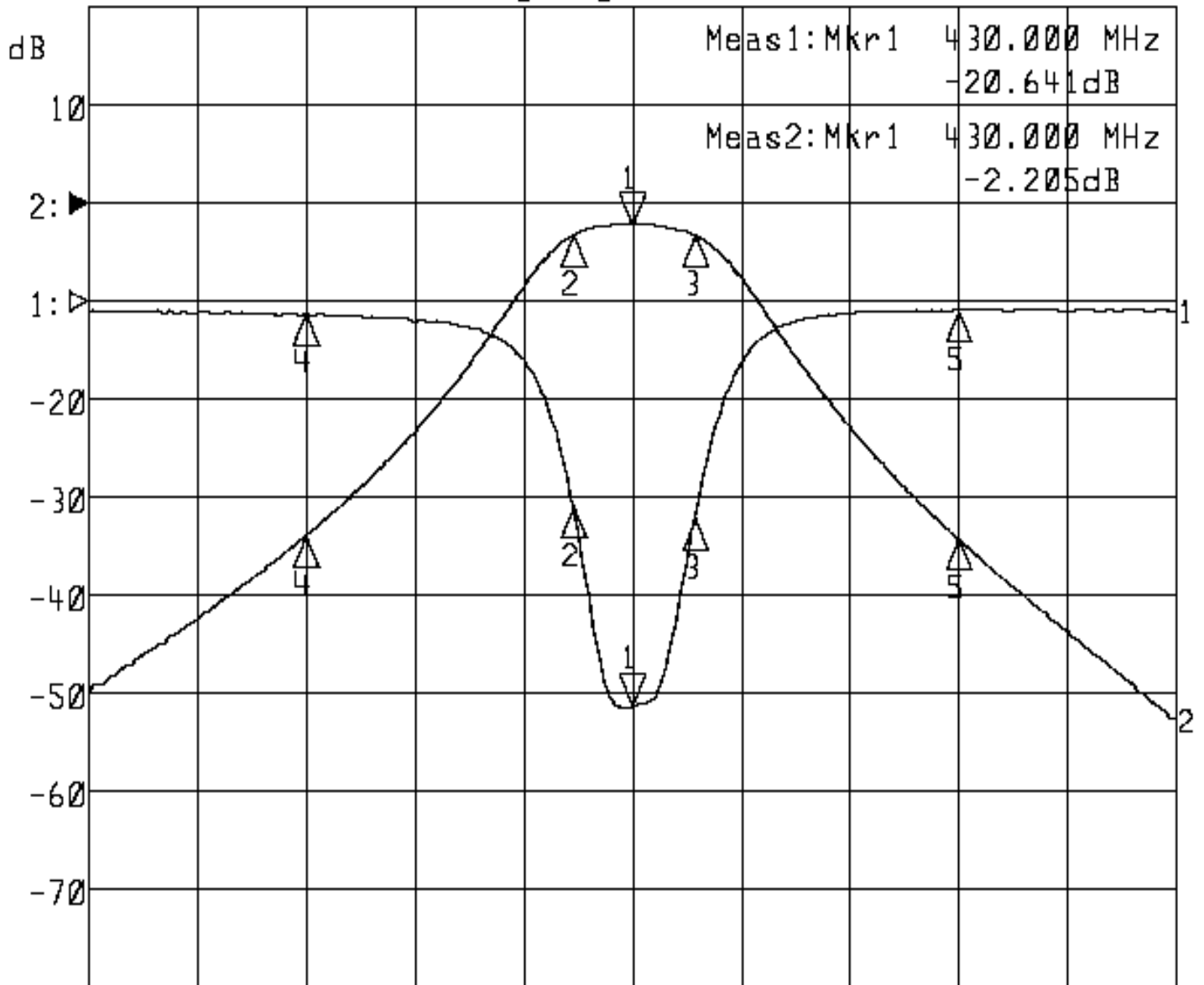
Approval C.Y.Chang	Supervisor C.S.Chang	Designer C.S.Chang	Aperture size 7H3S(4*5.5)F 7H046LB4 聚 3
-----------------------	-------------------------	-----------------------	---

TEMWELL CORPORATION

Performance- TT67275E3-430M

20106013B

▶1:S11 Refl Port1 Log Mag 5.0 dB/ Ref 0.00 dB C
▶2:S21 Fwd Trans Log Mag 10.0 dB/ Ref 0.00 dB C



Center 430.000 MHz

Span 100.000 MHz

1: Mkr (MHz)	dB	2: Mkr (MHz)	dB
1> 430.0000	-20.641	1> 430.0000	-2.205
2: 424.5667	-10.469	2: 424.5667	-3.234
3: 435.7000	-11.120	3: 435.7000	-3.225
4: 400.0000	-0.656	4: 400.0000	-33.885
5: 460.0000	-0.487	5: 460.0000	-34.324