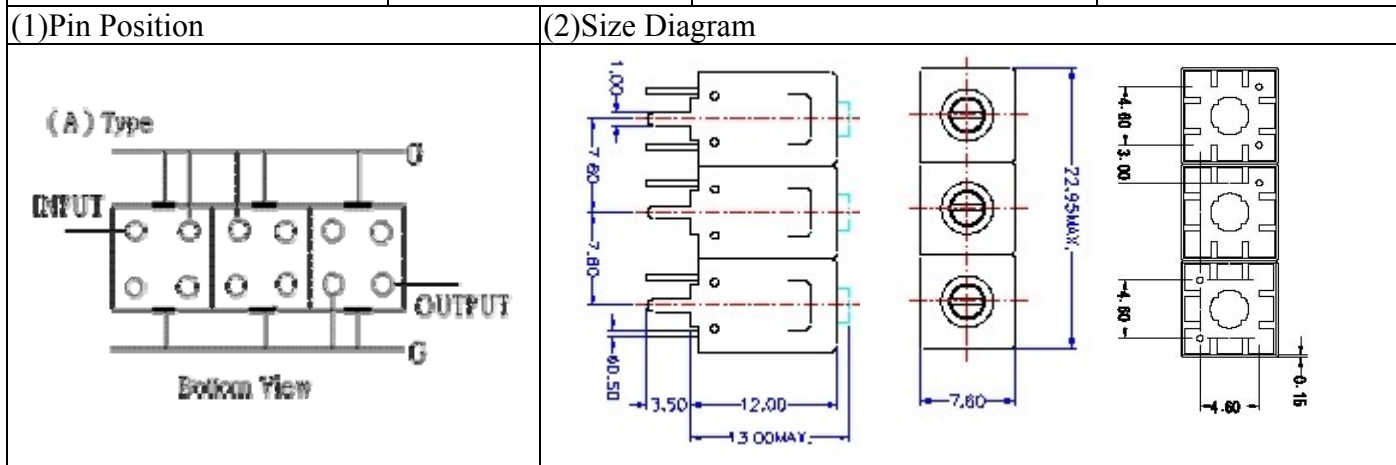


VHF UHF Helical Filter Specification Sheet

Customer Name		Temwell's Part No.	TT67280A1-100M
Approval No. /dated	0806069CD	Customer's Print Name.	96 107MHz
Work Instruction No.	0806069CD	Date	Jul.02.2008



(3) Electric Characteristic

Item	Specify	Performance	
Center Freq.(Fo) +/- 0.5 %	100 MHz	100 MHz	
Tunable Range:	100±2 MHz	100±2 MHz	
Insertion Loss	Typ. 3 dB	2.42 dB	
-3 dB Bandwidth	Typ. 7 MHz	8.3 MHz	
Sensitivity (Attenuation)	Fo - 10 MHz	Typ. 17 dBc	20 dBc
	Fo + 10 MHz	Typ. 23 dBc	26 dBc
	Fo - ()MHz	Typ. dBc	dBc
	Fo +()MHz	Typ. dBc	dBc
Return Loss	Min. 12 dB	27.4 dB	
Ripple	< 1 dB	dB	
Impedance	In / Out : 50 Ω	In / Out : 50 Ω	

(4) Torque for Tuning Screw > 100gf · cm

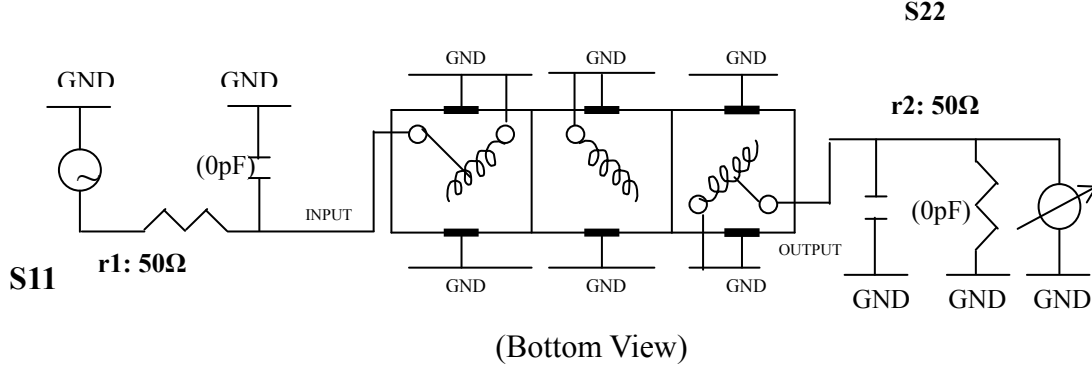
(5) Temperature Condition:

Operating Temperature	0°C ~ +60°C
-----------------------	-------------

Storage Temperature	-20°C ~ +70°C
---------------------	---------------

(6) Input Power > 1Watt

(7) Measuring Circuit: ※Easy to match Impedance S11/S22 50Ω by parallel with about(0pF) / (0pF).



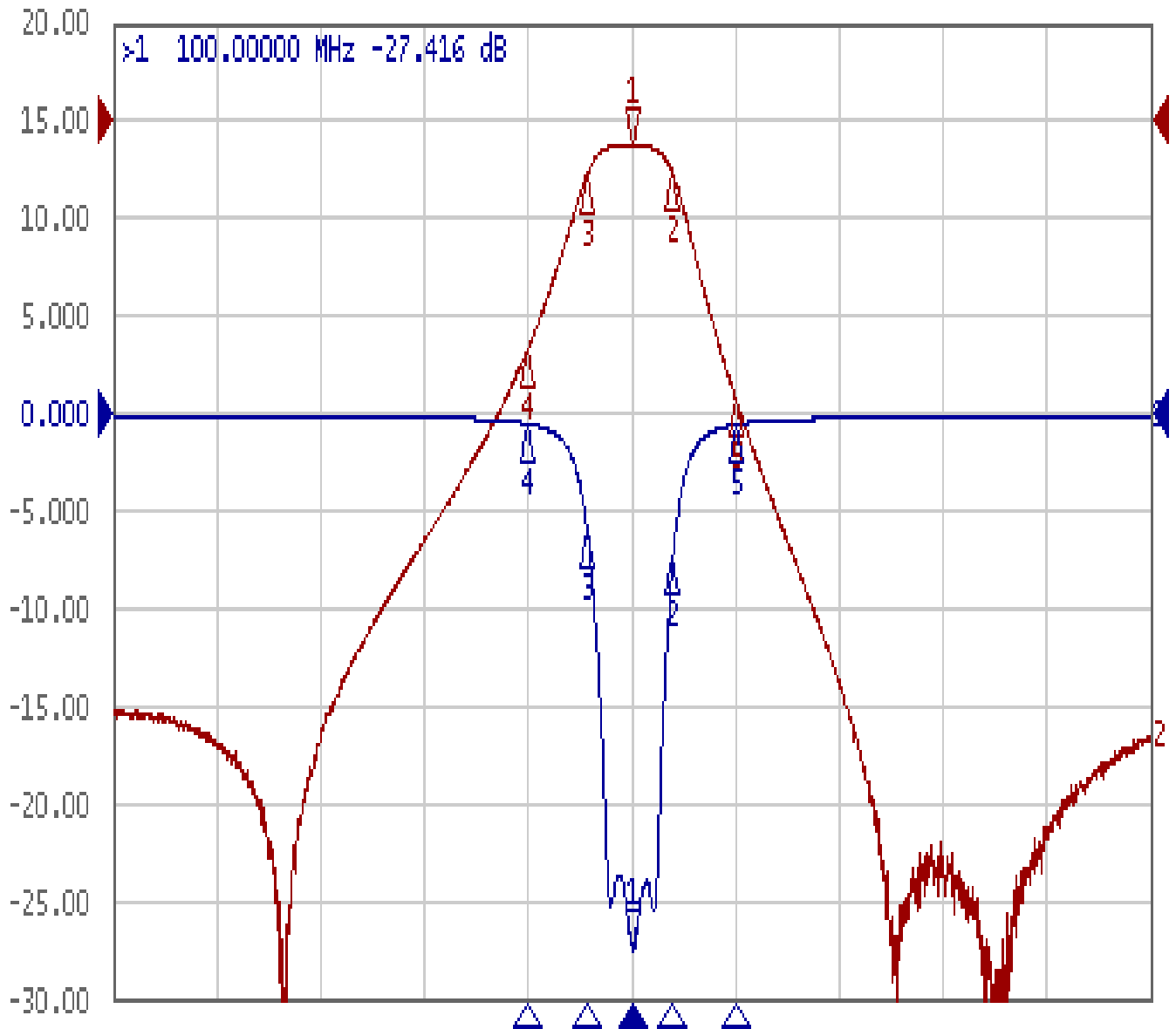
Approval	Supervisor	Designer	Aperture size
C.Y.Chang	C.S.Chang	C.S.Chang	7H3(4*4.65F) 7H024RB6.5

TEMWELL CORPORATION

Performance-TT67280A1-100M

0806069CD

▶ Tr1 S11 Log Mag 5.000dB/ Ref 0.000dB [F3]
Tr2 S21 Log Mag 10.00dB/ Ref 0.000dB [F3]



1 Center 100 MHz

IFBW 10 kHz

Span 100 MHz



Ch1	Tr1	S11	>1	100.00000	MHz	-27.416	dB
Ch1	Tr1	S11	2	103.96400	MHz	-7.4096	dB
Ch1	Tr1	S11	3	95.698000	MHz	-6.0163	dB
Ch1	Tr1	S11	4	90.000000	MHz	-0.5209	dB
Ch1	Tr1	S11	5	110.00000	MHz	-0.5590	dB
Ch1	Tr2	S21	1	100.00000	MHz	-2.4294	dB
Ch1	Tr2	S21	2	103.96400	MHz	-5.4133	dB
Ch1	Tr2	S21	3	95.698000	MHz	-5.4459	dB
Ch1	Tr2	S21	4	90.000000	MHz	-23.259	dB
Ch1	Tr2	S21	5	110.00000	MHz	-28.463	dB