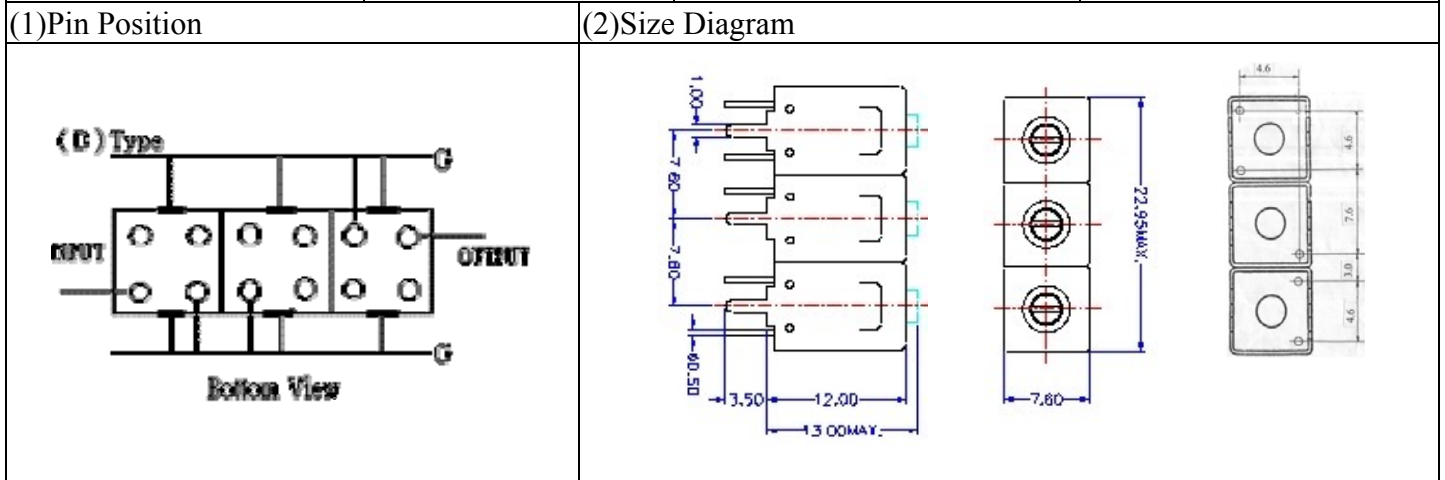
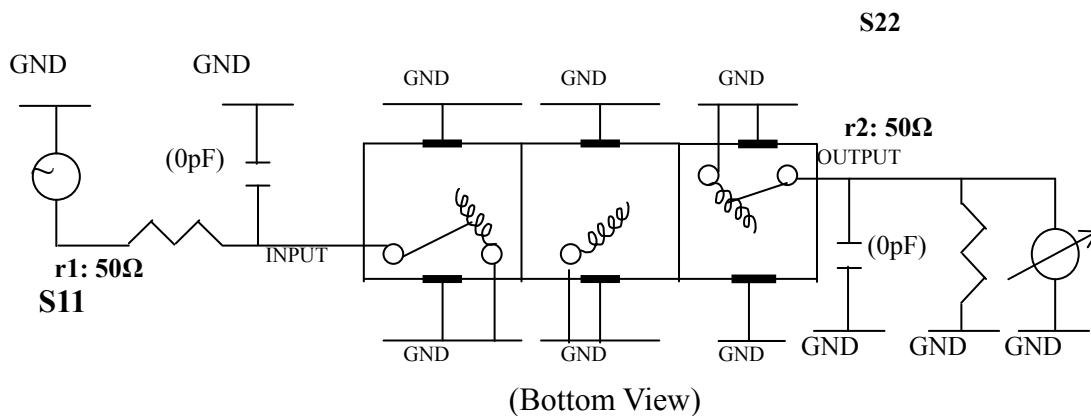


# VHF UHF Helical Filter Specification Sheet

Customer Name		Temwell's Part No.	TT67285B-172M
Approval No. /dated	20210049A	Temwell Print Name	166~195M
Work Instruction No.	20210049A	Date	Nov.12.2002



(3) Electric Character			
Item	Specify		Performance
Center Freq.(Fo) +/- 0.5 %	172	MHz	172 MHz
Insertion Loss	Typ. 5.0	dB	3.8 dB
-3 dB Bandwidth	Typ. 5	MHz	6 MHz
Sensitivity (Attenuation)	Fo - 20 MHz	Typ. 49 dBc	54 dBc
	Fo + 20 MHz	Typ. 45 dBc	48 dBc
	Fo - ( )MHz	Typ. dBc	dBc
	Fo + ( )MHz	Typ. dBc	dBc
Return Loss	Min. 12	dB	19.0 dB
Ripple	< 1	dB	dB
Impedance	In / Out : 50 Ω		In / Out : 50 Ω
(4) Torque for Tuning Screw			
> 60gf · cm			
(5) Temperature Condition:			
Operating Temperature	-30°C ~ +70°C		
Storage Temperature	-30°C ~ +80°C		
(6) Input Power			
> 1Watt			
(7) Measuring Circuit: ※Easy to match Impedance S11/S22 50Ω/by parallel with about( 0 pF) / ( 0 pF).			



Approval	Supervisor	Designer	Aperture size
C.Y. Chang	C.S. Chang	C.S. Chang	7H3S 4*5.5 7H024LB4

TEMWELL CORPORATION

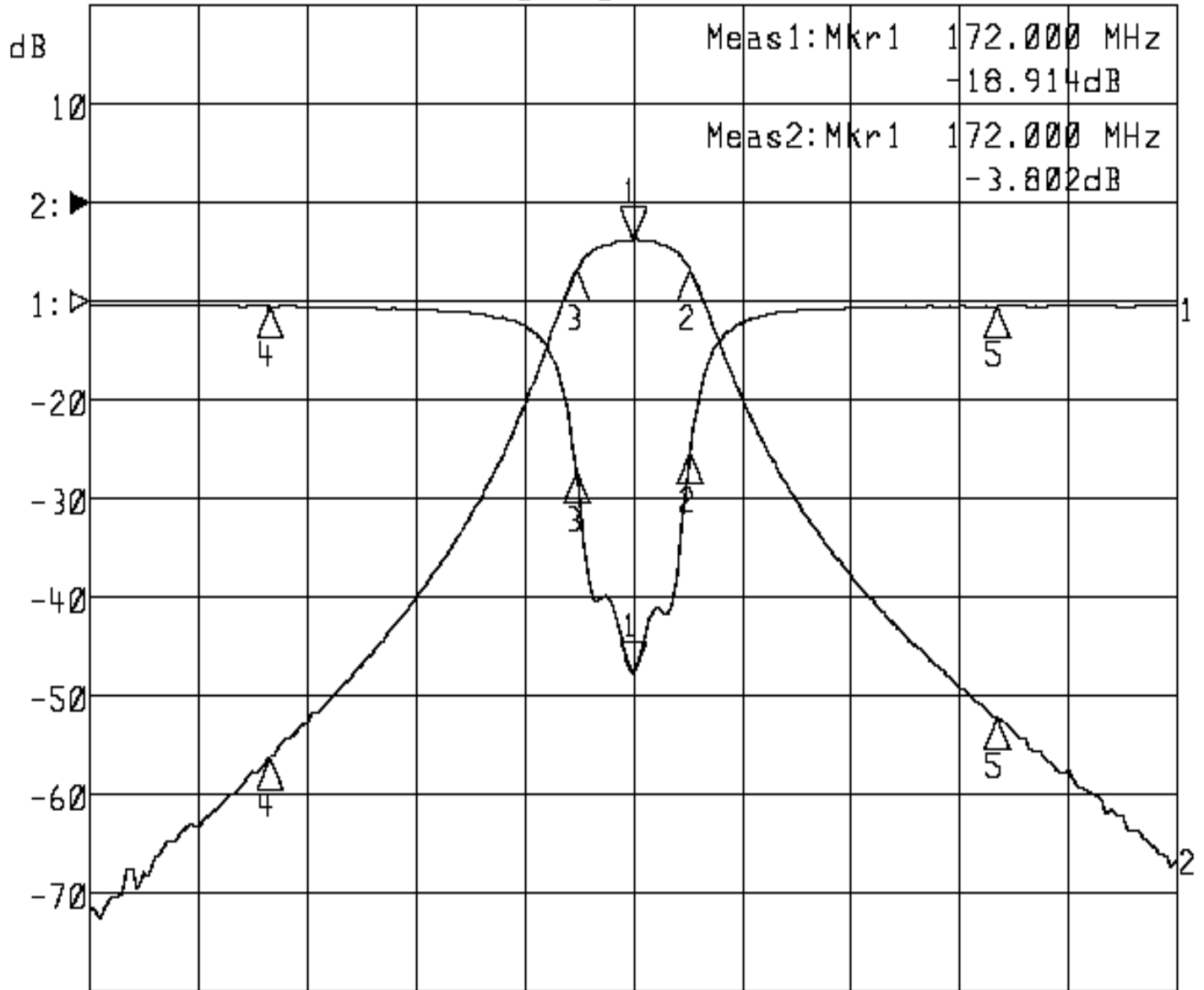
TEMWELL

# Performance-TT67285B-172M

20210049A

▷1:S11 Refl Port1 Log Mag 5.0 dB/ Ref 0.00 dB C

▶2:S12 Rev Trans Log Mag 10.0 dB/ Ref 0.00 dB C



Center 172.000 MHz

Span 60.000 MHz

1: Mkr (MHz)	dB	2: Mkr (MHz)	dB
1> 172.0000	-18.914	1> 172.0000	-3.802
2: 175.1467	-7.608	2: 175.1467	-6.830
3: 168.8867	-8.621	3: 168.8867	-6.836
4: 152.0000	-0.275	4: 152.0000	-56.148
5: 192.0000	-0.276	5: 192.0000	-52.206