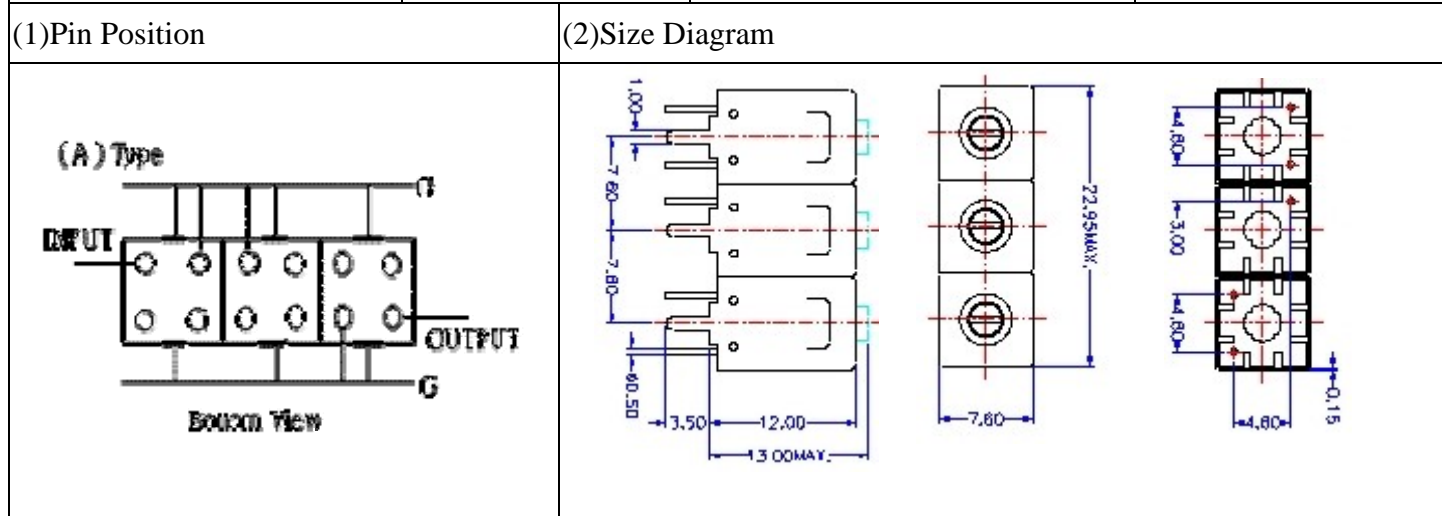


# VHF UHF Helical Filter Specification Sheet

Customer Name		Temwell's Part No.	TT67288A-1025M
Approval No. /dated	2008051B	Acceptable Specify Fo. Range	1001~1100MHz
Work Instruction No.	2008051B	Date	Aug.09.2000



(3) Electric Character			
Item	Specify	Performance	
Center Freq.(Fo ) +/- 0.5 %	1025 MHz	1025	MHz
Tunable Range	1025±10 MHz	1025±10	MHz
Insertion Loss	Typ. 5.0 dB	4.2	dB
-3 dB Bandwidth	Typ. 9 MHz	15	MHz
Sensitivity (Attenuation)	Fo - 50 MHz	Typ. 43	dBc
	Fo + 50 MHz	Typ. 33	dBc
	Fo - ( )MHz	Typ.	dBc
	Fo +( )MHz	Typ.	dBc
Return Loss	Min. 12 dB	28.6	dB
Ripple	< 1 dB		dB
Impedance	In / Out : 50 Ω	In / Out : 50 Ω	

(4) Torque for Tuning Screw > 100gf · cm

(5) Temperature Condition:

Operating Temperature	0°C ~ +60°C
Storage Temperature	-20°C ~ +70°C

(6) Input Power > 1Watt

Approval	Supervisor	Designer	Aperture size
C.Y. Chang	C.S. Chang	郭 昭 明	7H3S(4*6.5)F 7H046LB4 聚 3

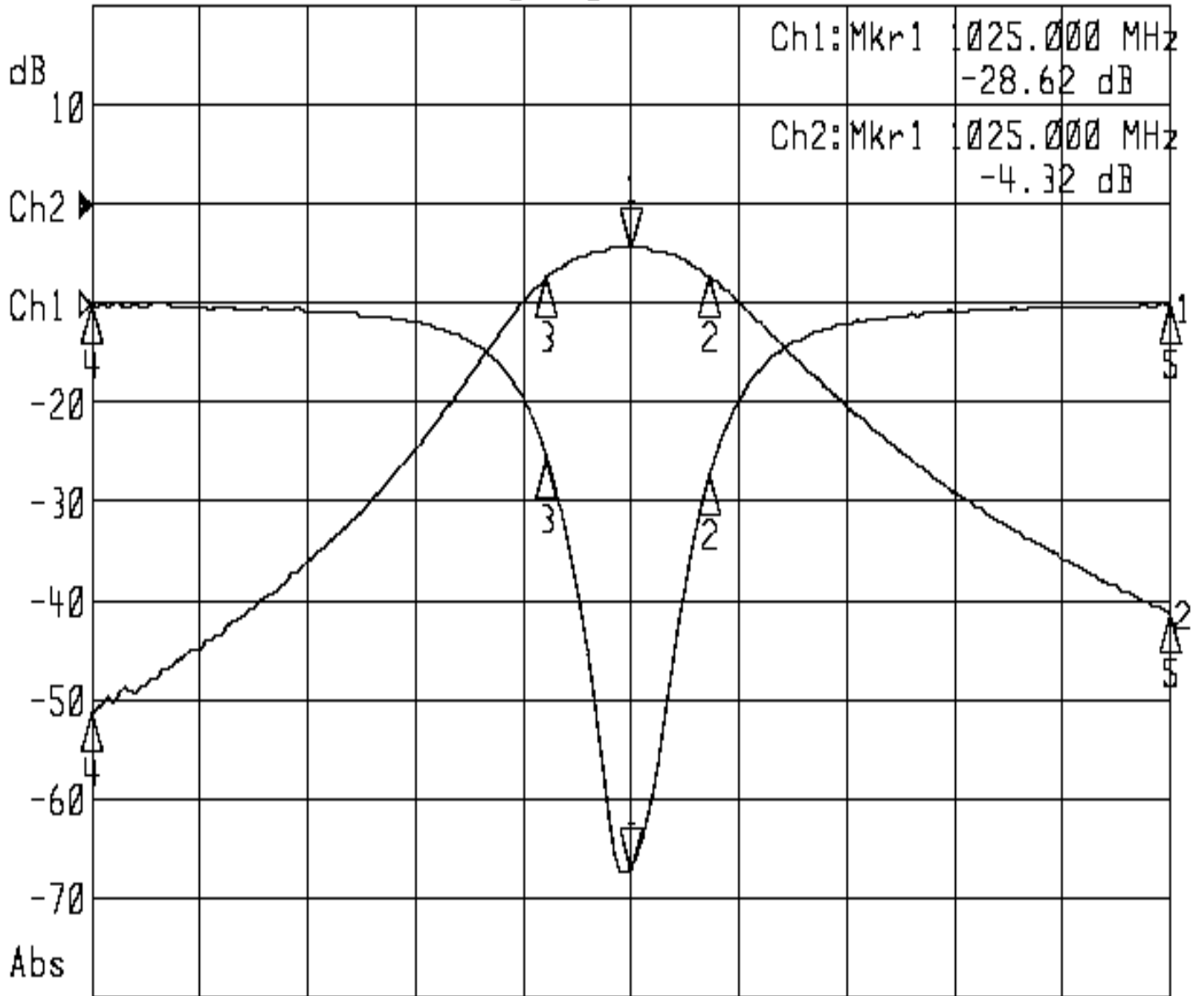
TEMWELL CORPORATION

# Performance-TT67288A-1025M

## 2008051B

▶1: Reflection Log Mag 5.0 dB/ Ref 0.00 dB C

▶2: Transmission Log Mag 10.0 dB/ Ref 0.00 dB C



Center 1 1025.000 MHz

Span 100.000 MHz

1: Mkr (MHz)	dB	2: Mkr (MHz)	dB
1> 1025.00	-28.62	1> 1025.00	-4.32
2: 1032.30	-8.54	2: 1032.30	-7.29
3: 1017.20	-7.83	3: 1017.20	-7.28
4: 975.00	-0.01	4: 975.00	-51.31
5: 1075.00	-0.07	5: 1075.00	-41.35