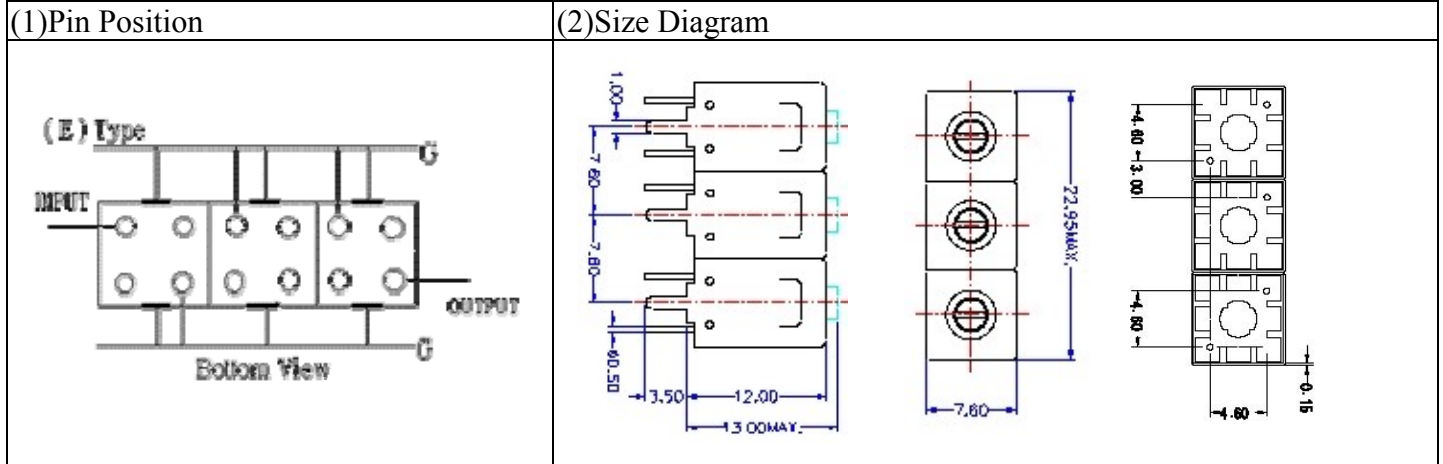


VHF UHF Helical Filter Specification Sheet

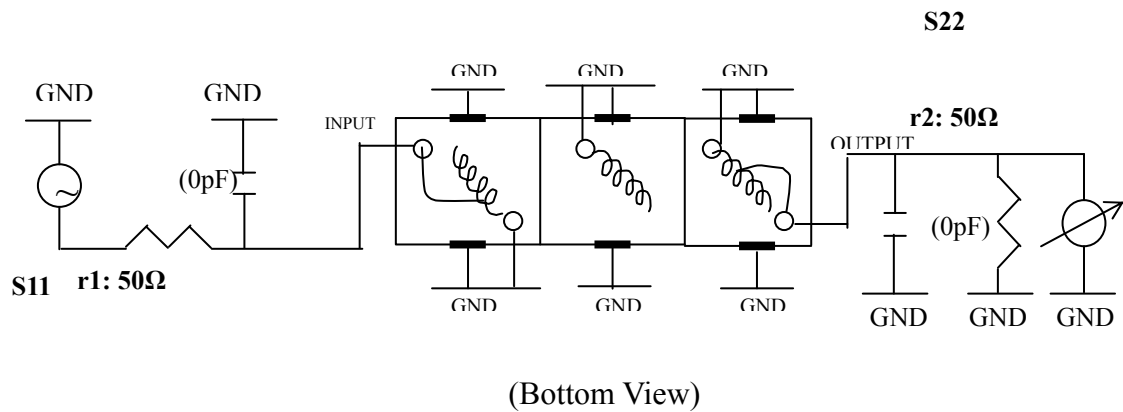
Customer Name		Temwell's Part No.	TT67289E-463.5M
Approval No. /dated	0704005A	Acceptable Specify Fo Range	456~515MHz
Work Instruction No.	0704005A	Date	May.04.2007



(3) Electric Character			
Item		Specify	Performance
Center Freq.(Fo) +/- 0.5 %		463.5 MHz	463.5 MHz
Tunable Range:		463.5±3 MHz	463.5±3 MHz
Insertion Loss		Typ. 2.5 dB	1.14 dB
-3 dB Bandwidth		Typ. 27 MHz	31.2 MHz
Sensitivity (Attenuation)	Fo - 50 MHz	Typ. 34 dBc	36 dBc
	Fo + 50 MHz	Typ. 34 dBc	35 dBc
	Fo - ()MHz	Typ. dBc	dBc
	Fo +()MHz	Typ. dBc	dBc
Return Loss		Min. 12 dB	20.6 dB
Ripple		< 1 dB	dB
Impedance		In / Out : 50 Ω	In / Out : 50 Ω
(4) Torque for Tuning Screw		> 100gf • cm	

(5) Temperature Condition:	
Operating Temperature	0°C ~ +60°C
Storage Temperature	-20°C ~ +70°C
(6) Input Power	> 1Watt

(7) Measuring Circuit: ※Easy to match Impedance S11/S22 50Ω/75Ω by parallel with about(0 pF) / (0 pF).

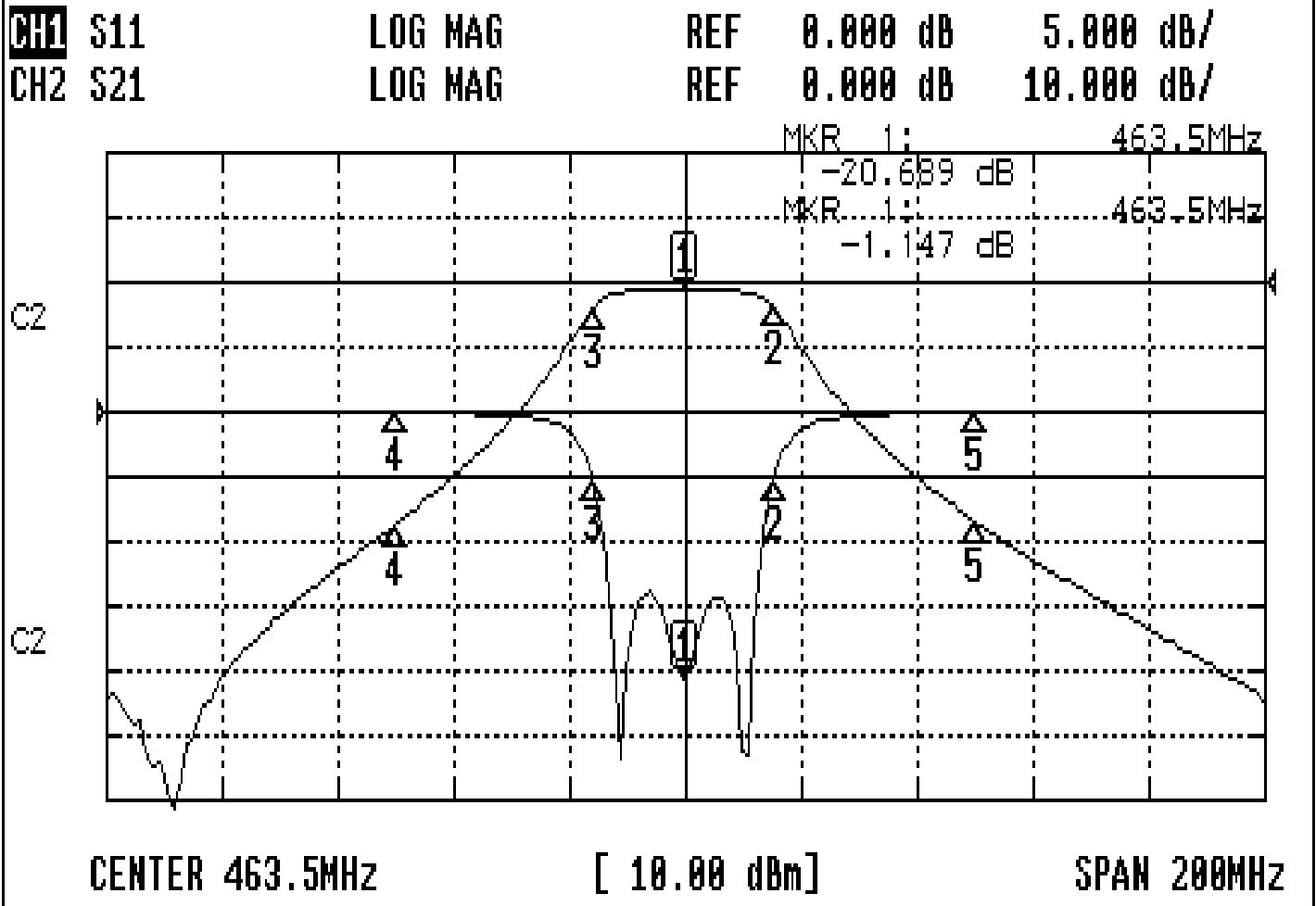


Approval	Supervisor	Designer	Aperture size
C.Y.Chang	C.S.Chang	J.F.Lin	7H3(4*7.5)(7.59)F 7H046LB4 聚 3

TEMWELL CORPORATION

Performance-TT67289E-463.5M

0704005A



CH1 MARKER LIST			
1:	463.500MHz	-20.680	dB
2:	478.833MHz	-15.249	dB
3:	447.666MHz	-15.305	dB
4:	413.500MHz	-10.068	dB
5:	513.500MHz	-10.068	dB

CH2 MARKER LIST			
1:	463.500MHz	-1.147	dB
2:	478.833MHz	-4.053	dB
3:	447.666MHz	-4.173	dB
4:	413.500MHz	-7.368	dB
5:	513.500MHz	-6.946	dB