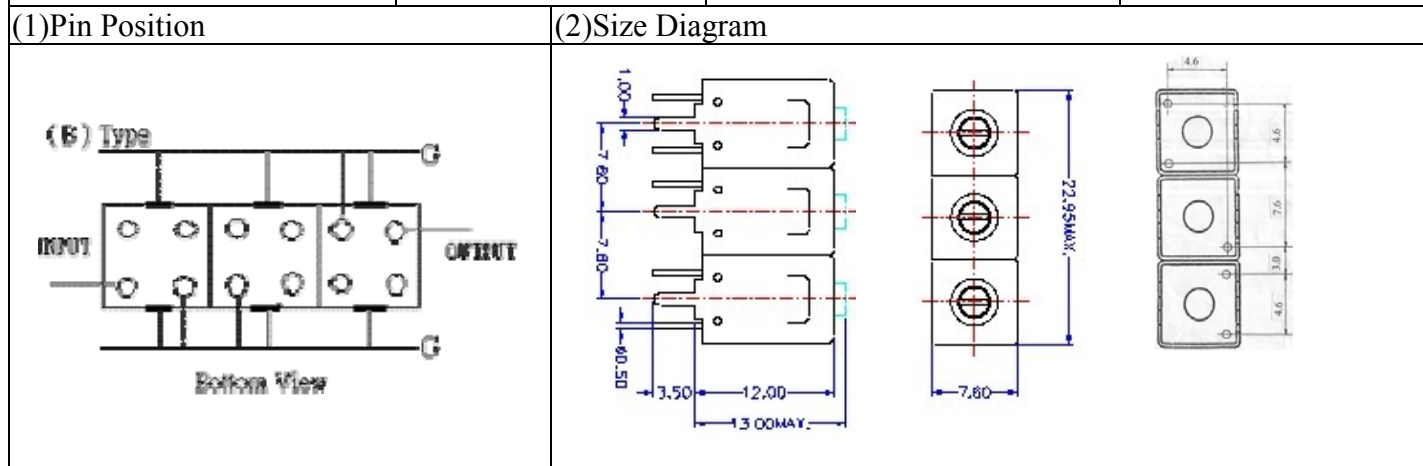


# VHF UHF Helical Filter Specification Sheet

Customer Name		Temwell's Part No.	TT67294B-415M
Approval No. /dated	0601040	Temwell's print name	67294B 415M
Work Instruction No.	0601040B	Date	Feb.06.2006



(3) Electric Characteristic

Item	Specify	Performance
Center Freq.(Fo) +/- 0.5 %	415 MHz	415 MHz
Insertion Loss	Typ. 2.5 dB	1.25 dB
-3 dB Bandwidth	Typ. 27 MHz	31.3 MHz
Sensitivity (Attenuation)	Fo - 100 MHz	Typ. 60 dBc
	Fo + 100 MHz	Typ. 45 dBc
	Fo - ( )MHz	Typ. dBc
	Fo + ( )MHz	Typ. dBc
Return Loss	Min. 12 dB	28.5 dB
Ripple	< 1 dB	dB
Impedance	In / Out : 50 Ω	In / Out : 50 Ω

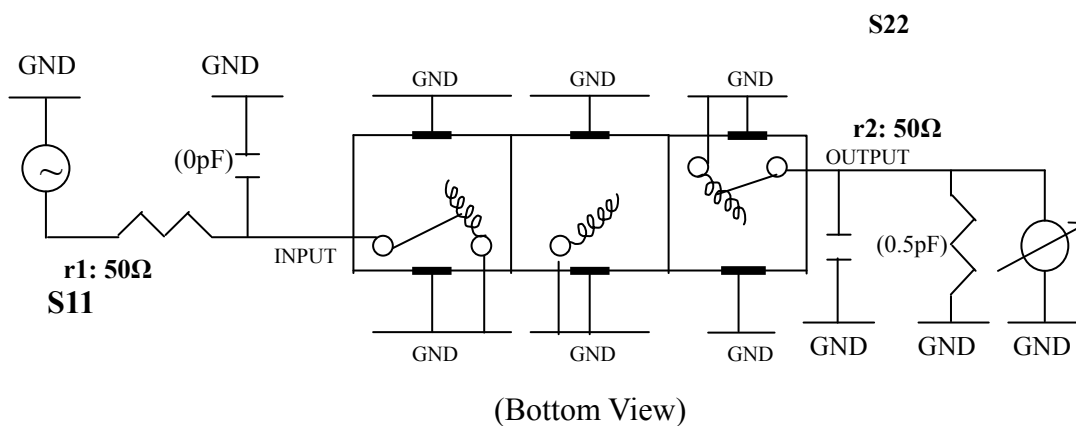
(4) Torque for Tuning Screw > 60gf • cm

(5) Temperature Condition:

Operating Temperature	-30°C ~ +70°C
Storage Temperature	-30°C ~ +80°C

(6) Input Power > 1Watt

(7) Measuring Circuit: ※Easy to match Impedance S11/S22 50Ω/Ωby parallel with about( 0 pF) / ( 0.5 pF).



Approval	Supervisor	Designer	Aperture size
C.Y.Chang	C.S.Chang	P.H.Chiang	7H3(4*8.0)(8.02) 7H046LB4.3 聚 3
TEMWELL		CORPORATION	

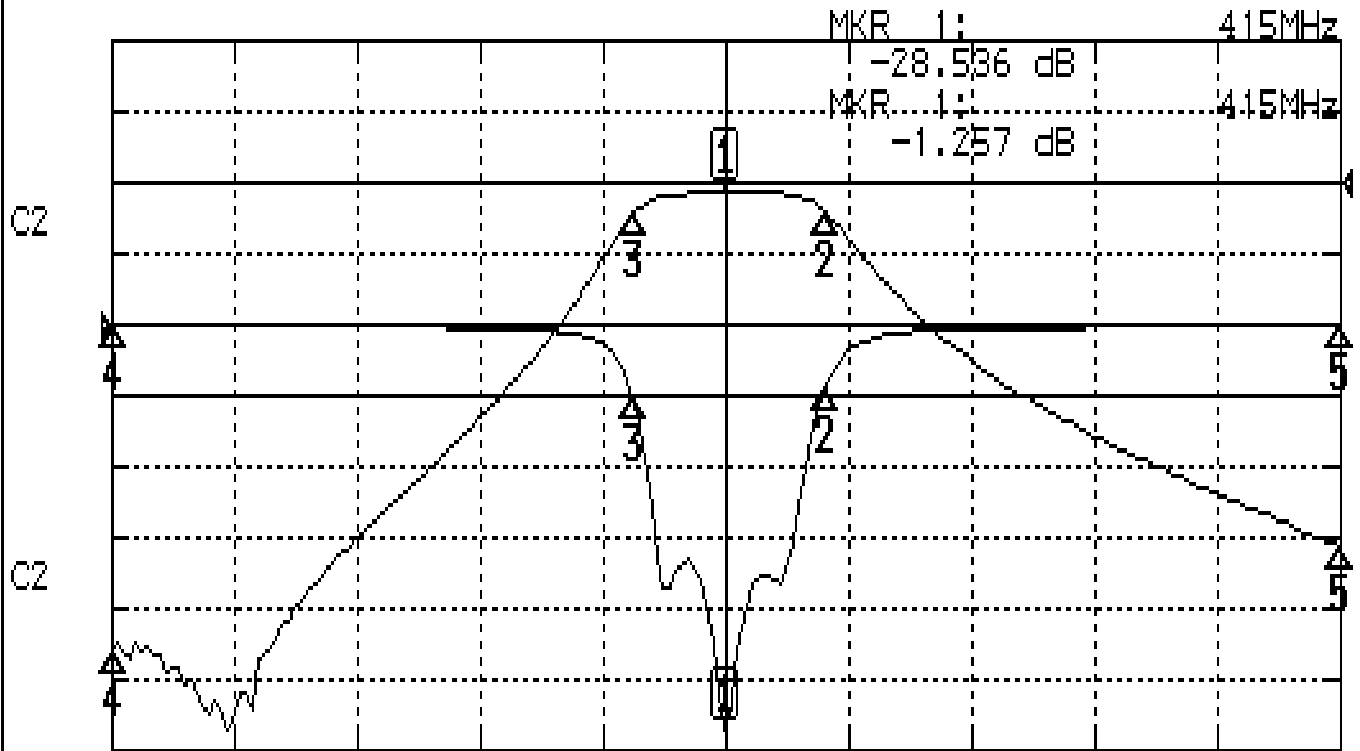
TEMWELL

RP(P.H)

# Performance-TT67294B-415M

## 0601040B

CH1 S11 LOG MAG REF 0.000 dB 5.000 dB/  
CH2 S21 LOG MAG REF 0.000 dB 10.000 dB/



MKR 1: 415MHz  
-28.536 dB  
MKR 1: 415MHz  
-1.257 dB

CENTER 415MHz

[ 10.00 dBm ]

SPAN 200MHz

### CH1 MARKER LIST

Marker	Frequency (MHz)	Magnitude (dB)
1	415.000	-28.536
2	431.333	-4.463
3	400.000	-5.126
4	315.000	-0.079
5	515.000	-0.093

### CH2 MARKER LIST

Marker	Frequency (MHz)	Magnitude (dB)
1	415.000	-1.257
2	431.333	-4.283
3	400.000	-4.299
4	315.000	-5.737
5	515.000	-5.192