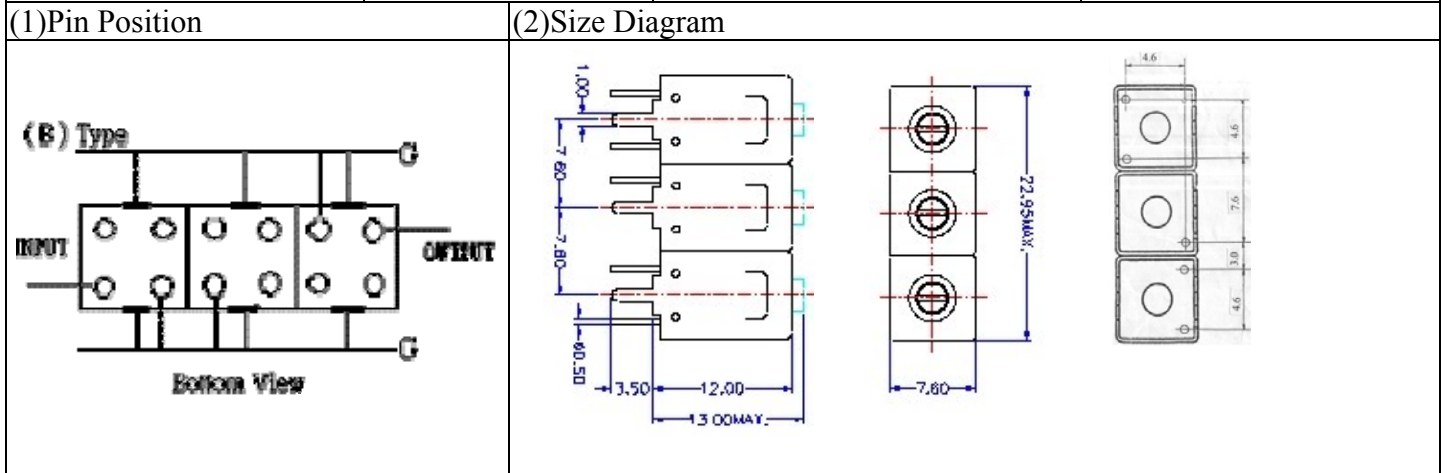


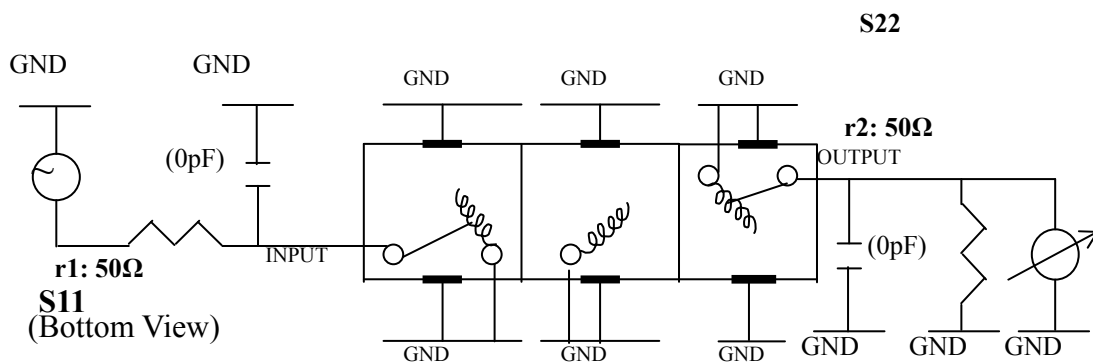
# VHF UHF Helical Filter Specification Sheet

Customer Name		Temwell's Part No.	TT67296B-250M
Approval No. /dated	0511001APR	Acceptable Specify Fo Range	246-275 MHz
Work Instruction No.	0511001B	Date	Nov.09.2005



(3) Electric Character					
Item		Specify		Performance	
Center Freq.(Fo) +/- 0.5 %		250 MHz		250 MHz	
Insertion Loss		Typ. 1.5 dB		0.56 dB	
-3 dB Bandwidth		Typ. 60 MHz		63.2 MHz	
Sensitivity (Attenuation)	Fo - 100 MHz	Typ. 55 dBc		68 dBc	
	Fo + 100 MHz	Typ. 26 dBc		29 dBc	
	Fo - ( )MHz	Typ. dBc		dBc	
	Fo + ( )MHz	Typ. dBc		dBc	
Return Loss		Min. 12 dB		44.0 dB	
Ripple		< 1 dB		dB	
Impedance		In / Out : 50 Ω		In / Out : 50 Ω	
(4) Torque for Tuning Screw		> 100gf · cm			
(5) Temperature Condition:					
Operating Temperature		0°C ~ +60°C			
Storage Temperature		-20°C ~ +70°C			
(6) Input Power		> 1Watt			

(7) Measuring Circuit: ※Easy to match Impedance S11/S22 50Ω/by parallel with about (0 pF) / (0 pF).



Approval	Supervisor	Designer	Aperture size
C.Y. Chang	C.S. Chang	C.S. Chang	7H3S(4*7.5)(4*7.62) 7H046RB6.5

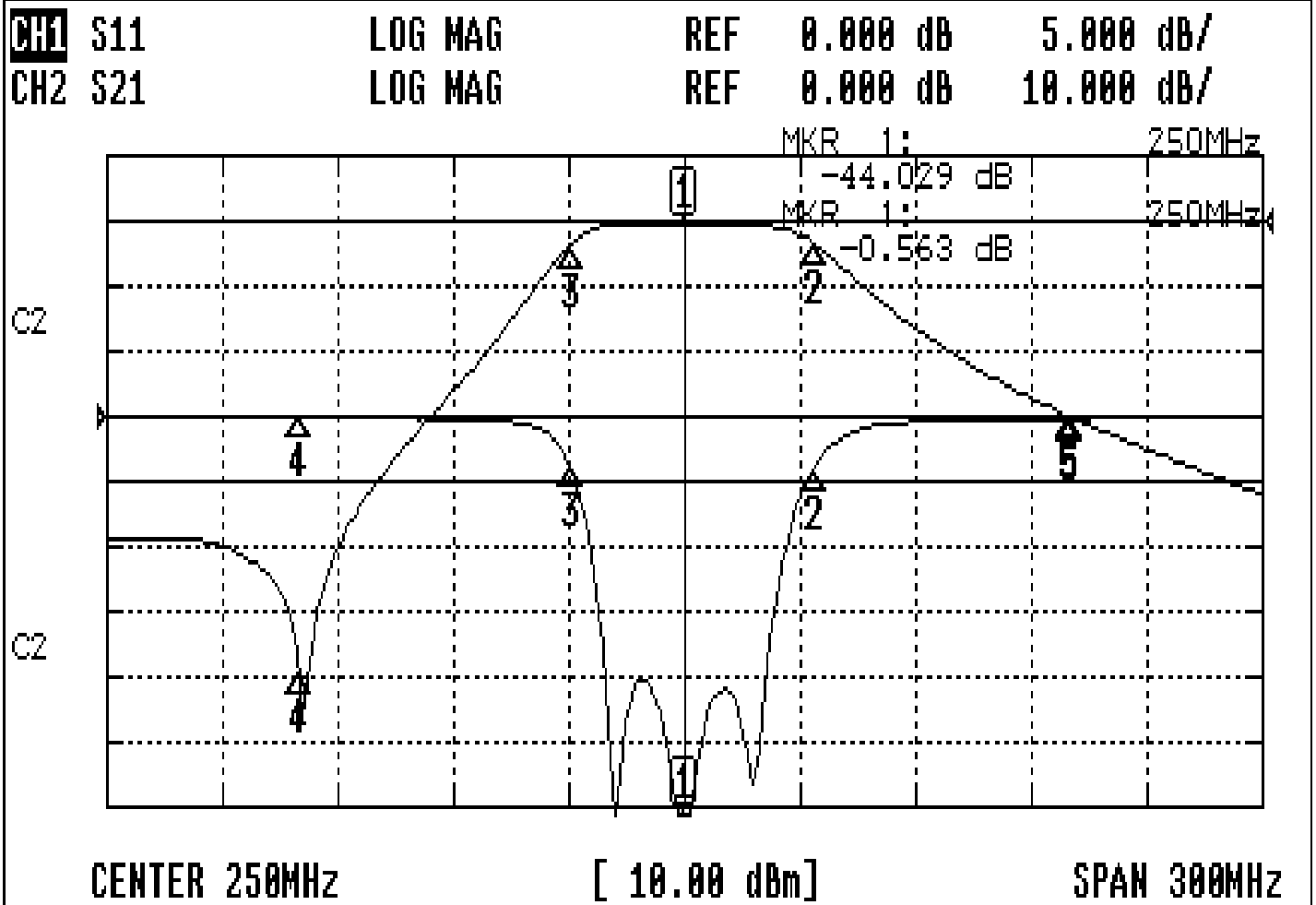
TEMWELL CORPORATION

TEMWELL

Form RP: C.S. Chang

# Performance-TT67296B-250M

## 0511001B



### CH1 MARKER LIST

1:	250.000MHz	-44.036 dB
2:	283.750MHz	-3.887 dB
3:	220.500MHz	-3.917 dB
4:	150.000MHz	-0.113 dB
5:	350.000MHz	-0.158 dB
6:		
7:		
8:		
9:		
10:		

### CH2 MARKER LIST

1:	250.000MHz	-0.563 dB
2:	283.750MHz	-1.524 dB
3:	220.500MHz	-1.590 dB
4:	150.000MHz	-0.540 dB
5:	350.000MHz	-30.010 dB
6:		
7:		
8:		
9:		
10:		