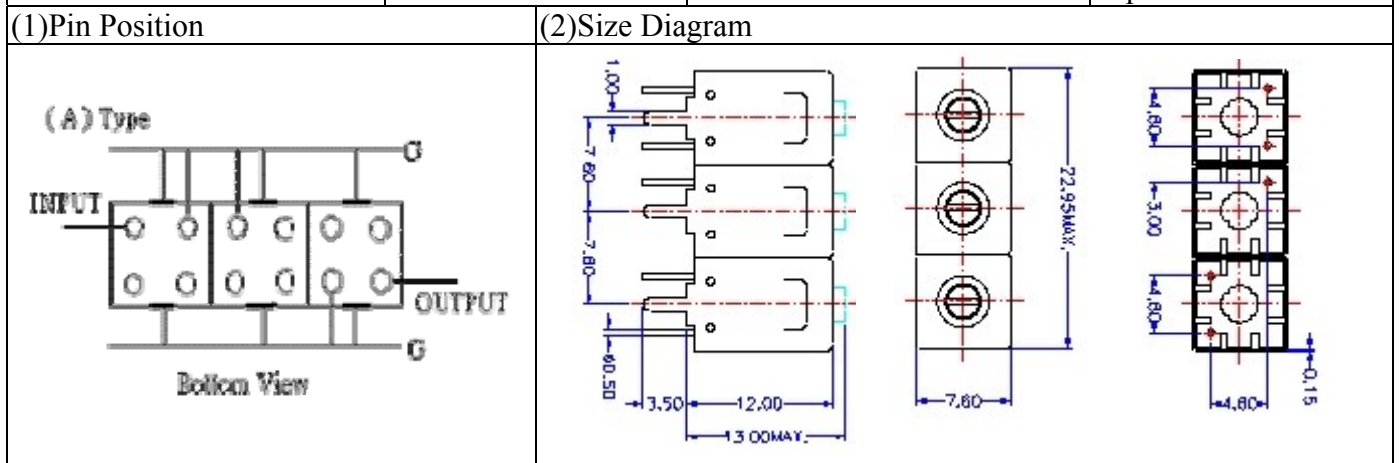
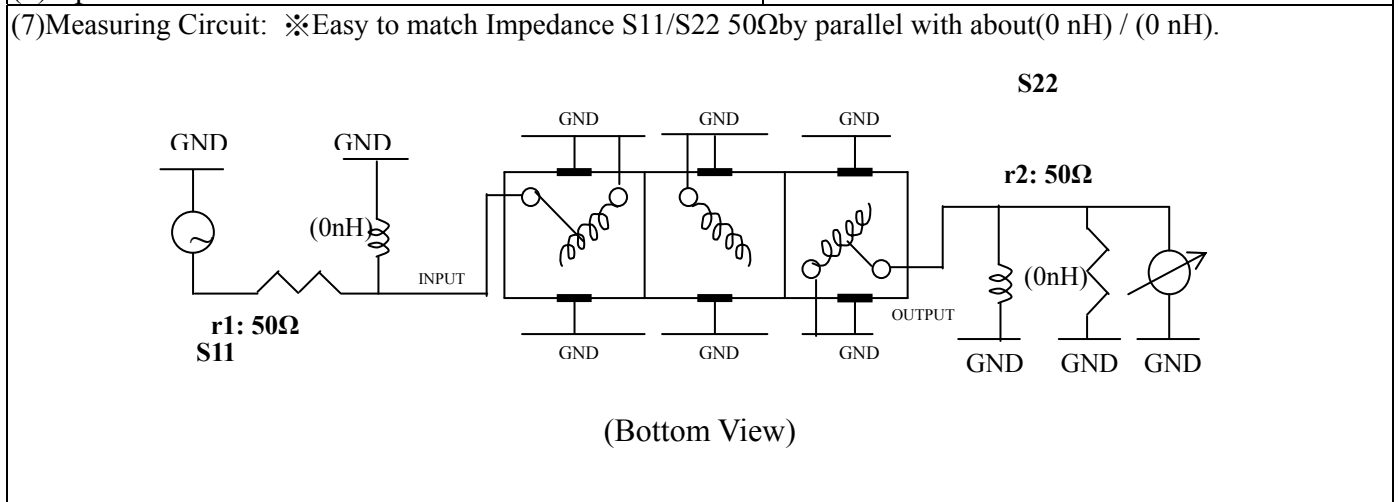


VHF UHF Helical Filter Specification Sheet

Customer Name		Temwell's Part No.	TT67297A-680M
Approval No. /dated	2008029B	Acceptable Specify Fo Range	661~700 MHz
Work Instruction No.	2008029B	Date	Sep.11.2006



(3) Electric Characteristic			
Item		Specify	Performance
Center Freq.(Fo) +/- 0.5 %		680 MHz	680 MHz
Tunable Range:		680±5 MHz	680±5 MHz
Insertion Loss		Typ. 2.0 dB	1.37 dB
-3 dB Bandwidth		Typ. 35 MHz	39.5 MHz
Sensitivity (Attenuation)	Fo - 50 MHz	Typ. 29 dBc	30 dBc
	Fo + 50 MHz	Typ. 17 dBc	21 dBc
	Fo - ()MHz	Typ. dBc	dBc
	Fo + ()MHz	Typ. dBc	dBc
Return Loss		Min. 12 dB	26.4 dB
Ripple		< 1 dB	dB
Impedance		In / Out : 50 Ω	In / Out : 50 Ω
(4) Torque for Tuning Screw		> 100gf · cm	
(5) Temperature Condition:			
Operating Temperature		0°C ~ +60°C	
Storage Temperature		-20°C ~ +70°C	
(6) Input Power		> 1Watt	

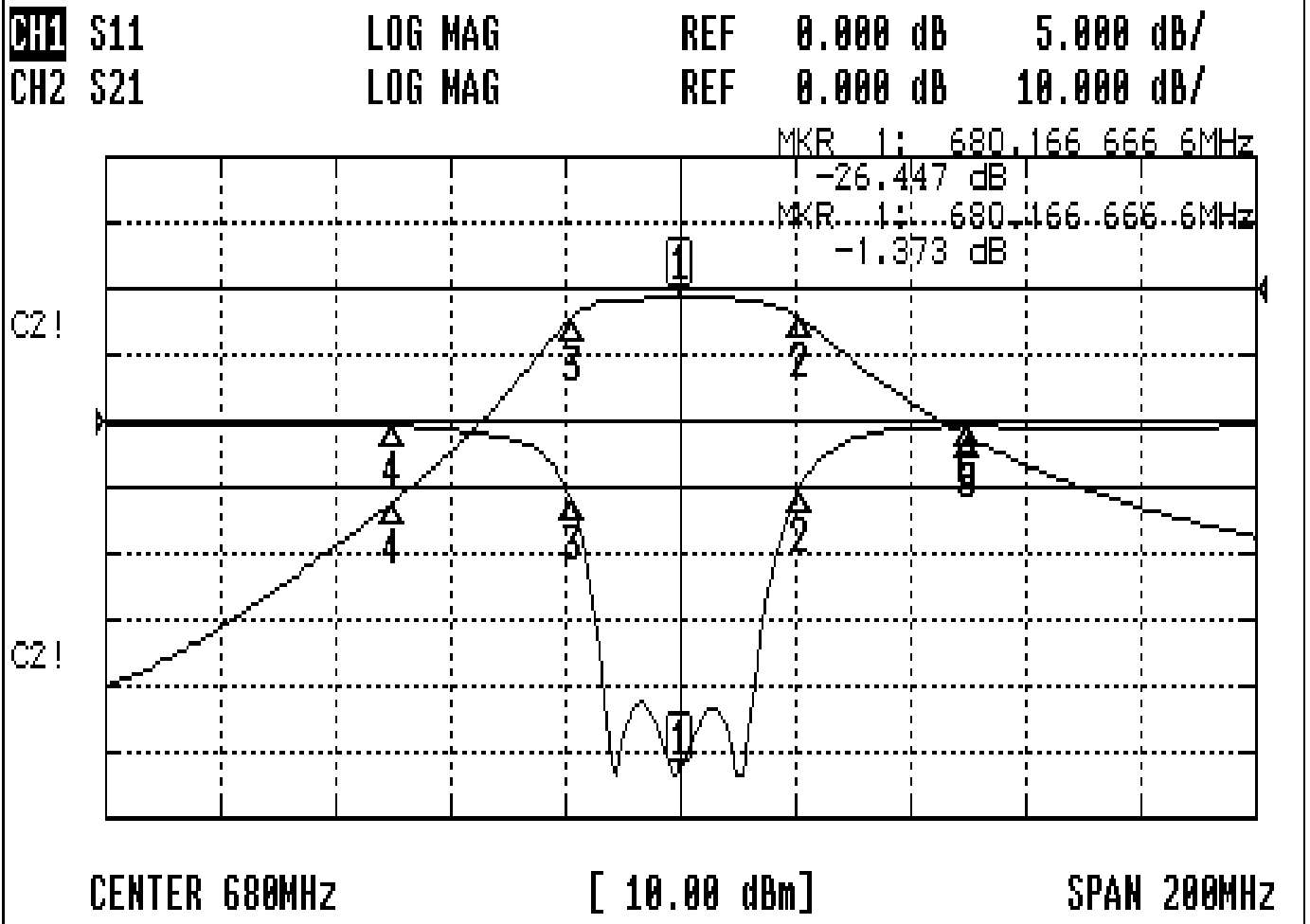


Approval	Supervisor	Designer	Aperture size
C.Y.Chang	C.S.Chang	P.H.Chiang	7H3(4*7.5)(7.56) 7H046LB4 聚 3

TEMWELL CORPORATION

Performance-TT67297A-680M

2008029B



CH1 MARKER LIST

1:	680.166MHz	-26.447 dB
2:	700.666MHz	-5.142 dB
3:	661.166MHz	-6.116 dB
4:	630.000MHz	-0.347 dB
5:	730.000MHz	-0.422 dB

CH2 MARKER LIST

1:	680.166MHz	-1.373 dB
2:	700.666MHz	-4.391 dB
3:	661.166MHz	-4.366 dB
4:	630.000MHz	-32.169 dB
5:	730.000MHz	-22.375 dB