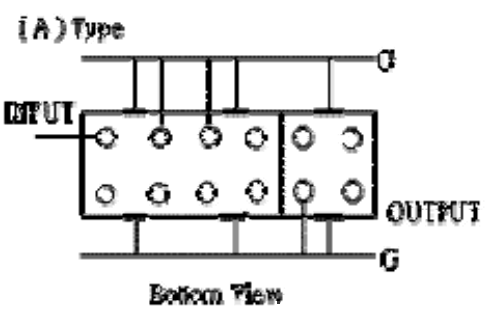
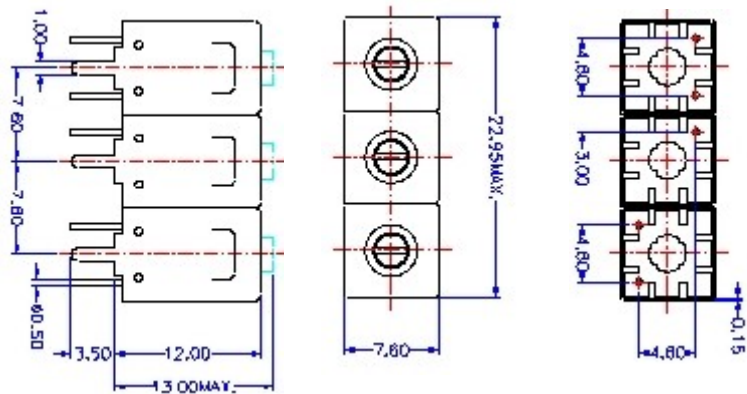


VHF UHF Helical Filter Specification Sheet

Customer Name		Temwell's Part No.	TT67309A-890M
Approval No. /dated	20012003DC	Acceptable Specify Fo. Range	861~900MHz
Work Instruction No.	20012003DC	Date	Dec.02.2000

<p>(1) Pin Position</p>  <p>(A) Type Bottom View</p>	<p>(2) Size Diagram</p> 
---	--

(3) Electric Character

Item	Specify	Performance
Center Freq.(Fo) +/- 0.5 %	890 MHz	890 MHz
Tunable Range	890±5 MHz	890±5 MHz
Insertion Loss	Typ. 4.0 dB	2.87 dB
-3 dB Bandwidth	Typ. 35 MHz	43 MHz
Sensitivity (Attenuation)	Fo - 100 MHz	Typ. 45 dBc
	Fo + 100 MHz	Typ. 30 dBc
	Fo - ()MHz	Typ. dBc
	Fo +()MHz	Typ. dBc
Return Loss	Min. 12 dB	17.9 dB
Ripple	< 1 dB	dB
Impedance	In / Out : 50 Ω	In / Out : 50 Ω
(4) Torque for Tuning Screw	> 100gf • cm	

(5) Temperature Condition:

Operating Temperature	0°C ~ +60°C
Storage Temperature	-20°C ~ +70°C

(6) Input Power

	> 1Watt
--	---------

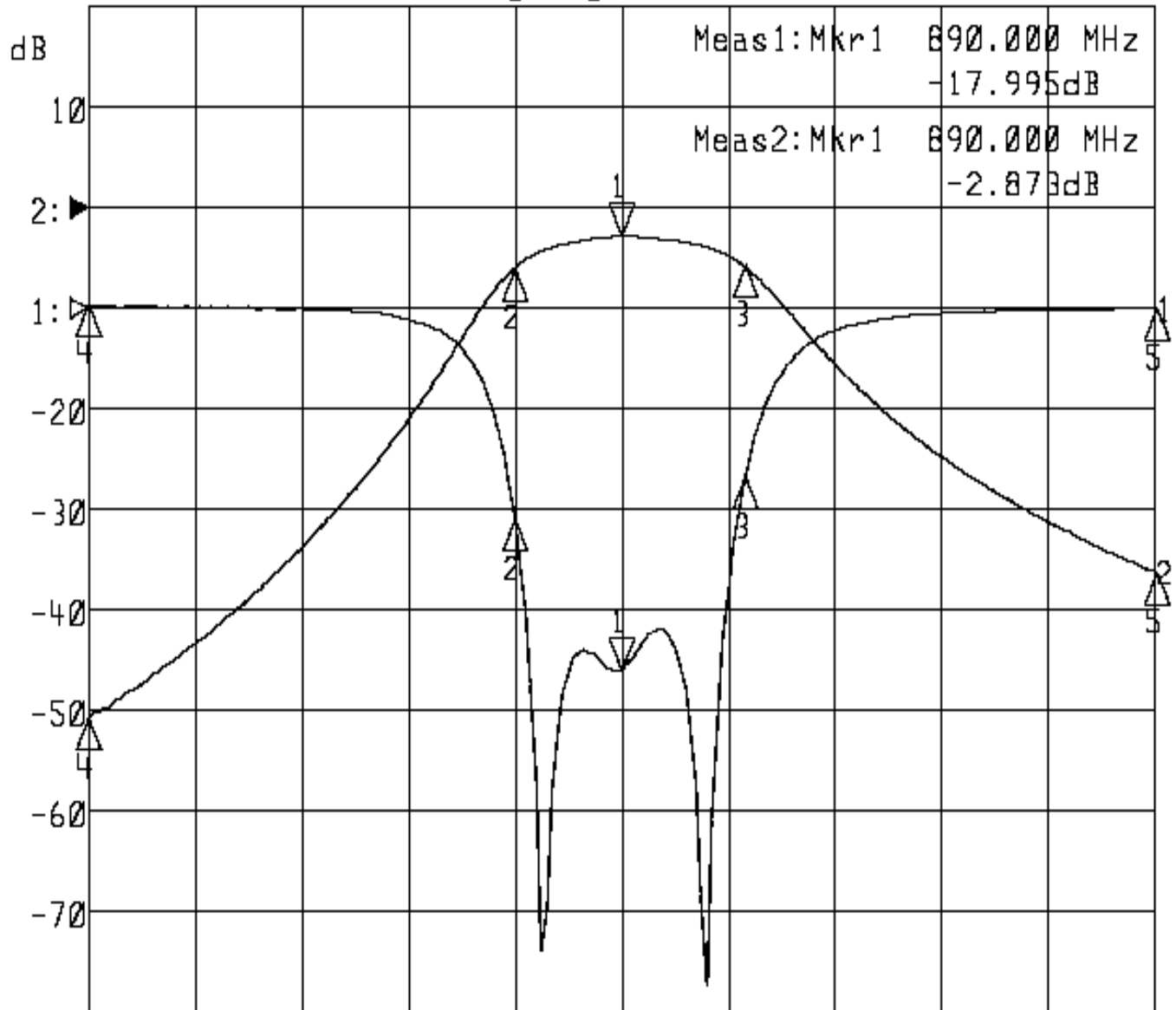
Approval	Supervisor	Designer	Aperture size
C.Y.Chang	C.S.Chang	C.S.Chang	7H3S(4*7.5)F 7H046LB4 聚 3

TEMWELL CORPORATION

Performance-TT67309A-890M

20012003DC

►1:S11 Refl Port1 Log Mag 5.0 dB/ Ref 0.00 dB C
►2:S21 Fwd Trans Log Mag 10.0 dB/ Ref 0.00 dB C



Center 890.000 MHz

Span 200.000 MHz

1:Mkr (MHz)	dB	2:Mkr (MHz)	dB
1> 890.0000	-17.995	1> 890.0000	-2.873
2: 870.0667	-10.549	2: 870.0667	-5.875
3: 913.2000	-8.396	3: 913.2000	-5.863
4: 790.0000	0.196	4: 790.0000	-50.714
5: 990.0000	0.021	5: 990.0000	-36.197