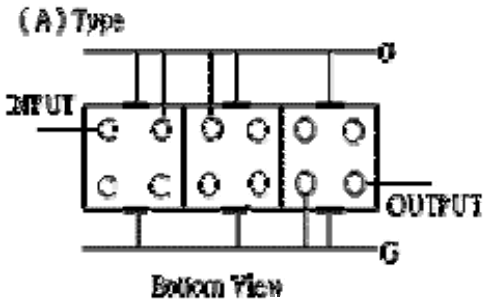
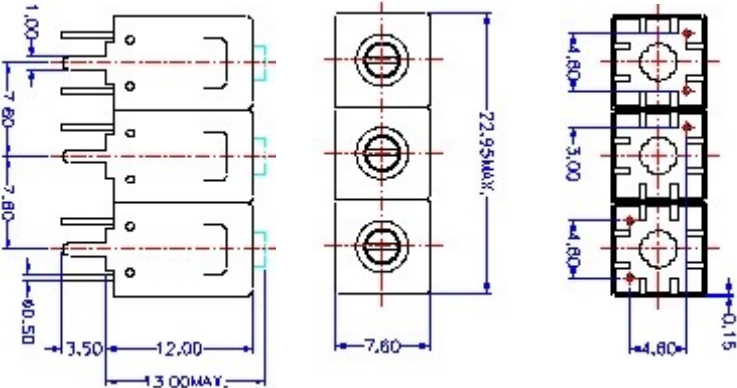


# VHF UHF Helical Filter Specification Sheet

Customer Name		Temwell's Part No.	TT67311A-940M
Approval No. /dated	20012006DC	Acceptable Specify Fo. Range	931~950MHz
Work Instruction No.	20012006DC	Date	Dec.04.2000

(1)Pin Position	(2)Size Diagram
 <p>(A) Type INPUT OUTPUT G Bottom View</p>	

### (3)Electric Character

Item	Specify	Performance
Center Freq.(Fo ) +/- 0.5 %	940 MHz	940 MHz
Tunable Range	940±5 MHz	940±5 MHz
Insertion Loss	Typ. 3.5 dB	2.21 dB
-3 dB Bandwidth	Typ. 35 MHz	43.6 MHz
Sensitivity (Attenuation)	Fo - 100 MHz	Typ. 58 dBc
	Fo + 100 MHz	Typ. 31 dBc
	Fo - ( )MHz	Typ. dBc
	Fo +( )MHz	Typ. dBc
Return Loss	Min. 12 dB	21.4 dB
Ripple	< 1 dB	dB
Impedance	In / Out : 50 Ω	In / Out : 50 Ω
(4)Torque for Tuning Screw	> 100gf • cm	

### (5)Temperature Condition:

Operating Temperature	0°C ~ +60°C
Storage Temperature	-20°C ~ +70°C

### (6)Input Power

	> 1Watt
--	---------

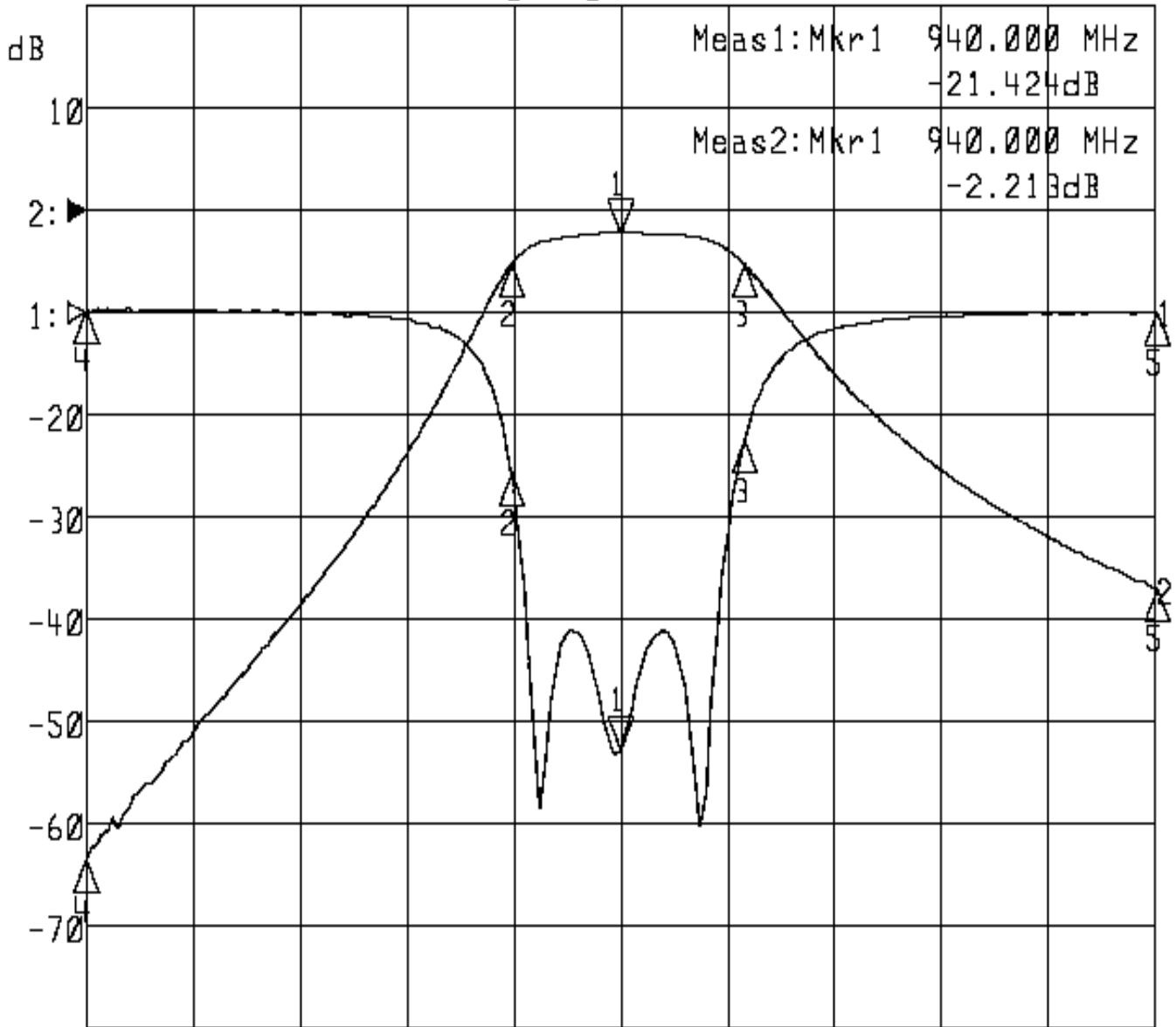
Approval	Supervisor	Designer	Aperture size
C.Y.Chang	C.S.Chang	C.S.Chang	7H3S(4*8.0)F 7H046LB4 聚 3

TEMWELL CORPORATION

# Performance-TT67311A-940M

## 20012006DC

▶1: S11 Refl Port1    Log Mag    5.0 dB/ Ref    0.00 dB    C  
 ▶2: S21 Fwd Trans    Log Mag    10.0 dB/ Ref    0.00 dB    C



Meas1: Mkr1    940.000 MHz  
                  -21.424 dB  
 Meas2: Mkr1    940.000 MHz  
                  -2.213 dB

Center 940.000 MHz

Span 200.000 MHz

1: Mkr (MHz)	dB	2: Mkr (MHz)	dB
1> 940.0000	-21.424	1> 940.0000	-2.213
2: 919.6000	-7.859	2: 919.6000	-5.257
3: 963.2000	-6.252	3: 963.2000	-5.260
4: 840.0000	0.154	4: 840.0000	-63.478
5: 1040.0000	-0.036	5: 1040.0000	-37.002