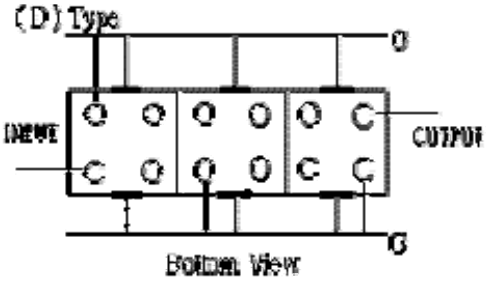
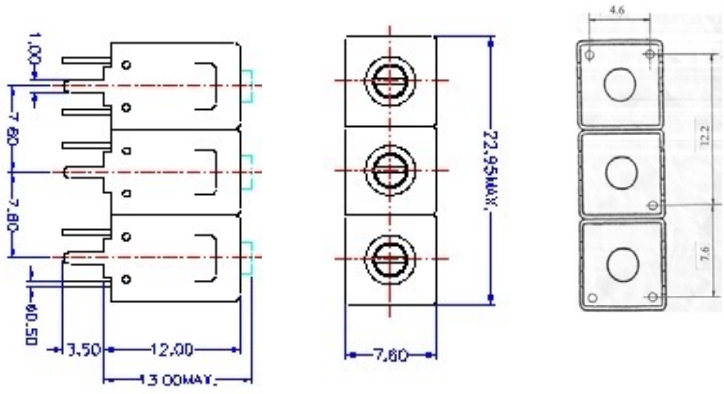


# VHF UHF Helical Filter Specification Sheet

Customer Name		Temwell's Part No.	TT67317D1-250M
Approval No. /dated	20111133DC	Acceptable Specify Fo. Range	246~275MHz
Work Instruction No.	20111133DC	Date	Nov.23.2001

<p>(1) Pin Position</p> 	<p>(2) Size Diagram</p> 
---	--

(3) Electric Character			
Item	Specify	Performance	
Center Freq.(Fo ) +/- 0.75 %	250 MHz	250	MHz
Tunable Range	250±4 MHz	250±4	MHz
Insertion Loss	Typ. 4 dB	2.75	dB
-3 dB Bandwidth	Typ. 5 MHz	7.4	MHz
Sensitivity (Attenuation )	Fo - 50 MHz	Typ. 52	dBc
	Fo + 50 MHz	Typ. 47	dBc
	Fo - ( )MHz	Typ.	dBc
	Fo +( )MHz	Typ.	dBc
Return Loss	Min. 12 dB		dB
Ripple	< 1 dB		dB
Impedance	In / Out : 50 Ω	In / Out : 50 Ω	

(4) Torque for Tuning Screw	> 100gf • cm
-----------------------------	--------------

(5) Temperature Condition:	
Operating Temperature	-30°C ~ +70°C
Storage Temperature	-30°C ~ +80°C

(6) Input Power	> 1Watt
-----------------	---------

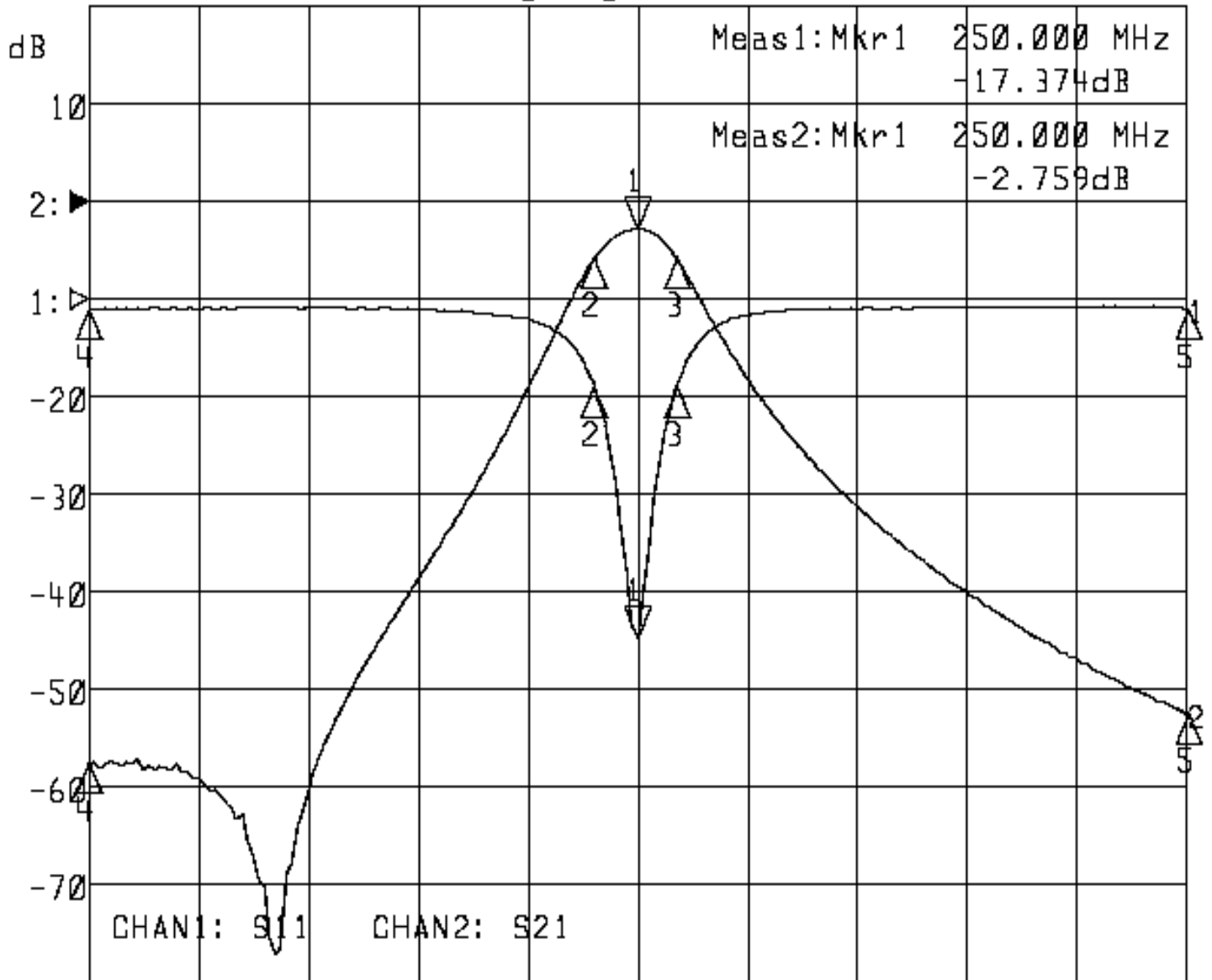
Approval	Supervisor	Designer	Aperture size
C.Y.Chang	C.S.Chang	C.S.Chang	7H3S(4*5.5)F 7H024LB4

TEMWELL CORPORATION

# Performance-TT67317D1-250M

## 2011133DC

▶1: Reflection      Log Mag    5.0 dB/ Ref    0.00 dB    C  
▶2: Transmission    Log Mag    10.0 dB/ Ref    0.00 dB    C



Center 250.000 MHz

Span 100.000 MHz

1: Mkr (MHz)	dB	2: Mkr (MHz)	dB
1> 250.0000	-17.374	1> 250.0000	-2.759
2: 246.1000	-4.517	2: 246.1000	-5.801
3: 253.5333	-4.505	3: 253.5333	-5.813
4: 200.0000	-0.473	4: 200.0000	-57.588
5: 300.0000	-0.505	5: 300.0000	-52.575