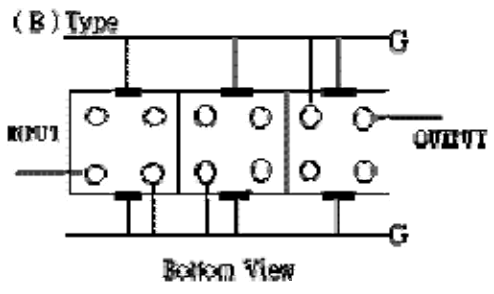
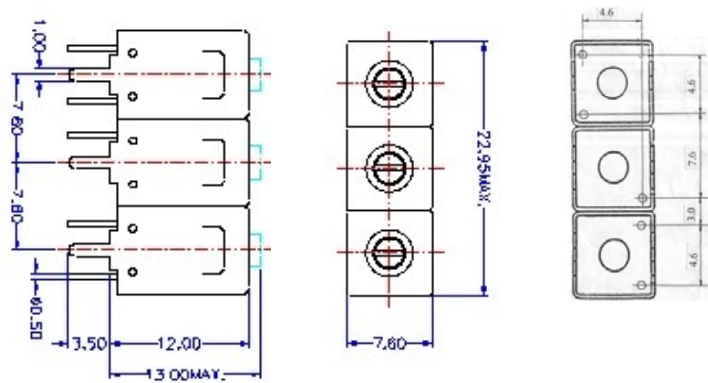


VHF UHF Helical Filter Specification Sheet

Customer Name		Temwell's Part No.	TT67320B-325M
Approval No. /dated	2003022D	Acceptable Specify Fo. Range	311~355MHz
Work Instruction No.	2003022D	Date	Mar.24.2000

(1)Pin Position	(2)Size Diagram
 <p style="text-align: center;">Bottom View</p>	

(3)Electric Character

Item	Specify	Performance
Center Freq.(Fo) +/- 0.75 %	325 MHz	325 MHz
Tunable Range	325±4 MHz	325±4 MHz
Insertion Loss	Typ. 4.0 dB	2.90 dB
-3 dB Bandwidth	Typ. 9 MHz	11.8 MHz
Sensitivity (Attenuation)	Fo - 20 MHz	Typ. 32 dBc
	Fo + 20 MHz	Typ. 26 dBc
	Fo - ()MHz	Typ. dBc
	Fo +()MHz	Typ. dBc
Return Loss	Min. 12 dB	18 dB
Ripple	< 1 dB	dB
Impedance	In / Out : 50 Ω	In / Out : 50 Ω
(4)Torque for Tuning Screw	> 100gf • cm	

(5)Temperature Condition:

Operating Temperature	-30°C ~ +70°C
Storage Temperature	-30°C ~ +80°C

(6)Input Power

	> 1Watt
--	---------

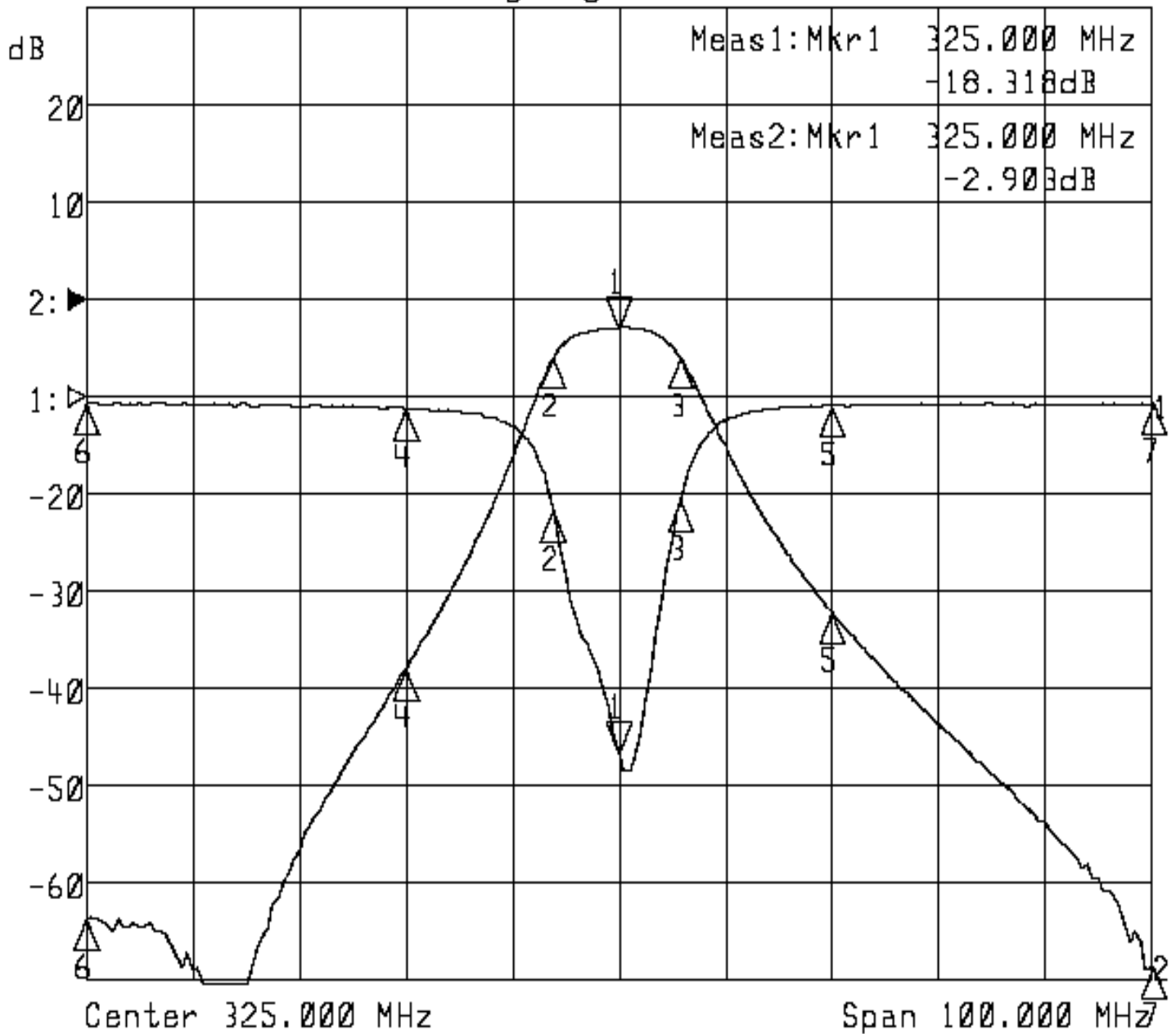
Approval	Supervisor	Designer	Aperture size
C.Y.Chang	C.S.Chang	C.S.Chang	7H3S(4*5.5)F 7H046LB4 聚 3

TEMWELL CORPORATION

Performance-TT67320B-325M

2003022D

▶1:S11 Refl Port1 Log Mag 5.0 dB/ Ref 0.00 dB C
▶2:S21 Fwd Trans Log Mag 10.0 dB/ Ref 0.00 dB C



1:Mkr (MHz)	dB	2:Mkr (MHz)	dB
1> 325.0000	-18.318	1> 325.0000	-2.903
2: 318.9000	-5.897	2: 318.9000	-5.929
3: 330.7333	-5.379	3: 330.7333	-5.900
4: 305.0000	-0.609	4: 305.0000	-38.045
5: 345.0000	-0.474	5: 345.0000	-32.198
6: 275.0000	-0.377	6: 275.0000	-63.675
7: 375.0000	-0.385	7: 375.0000	-68.645