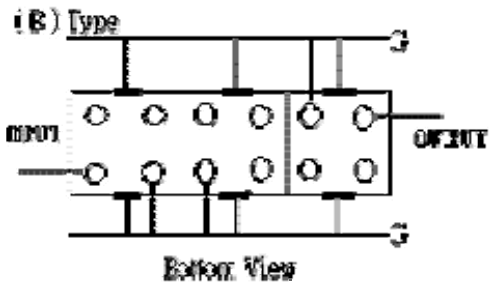
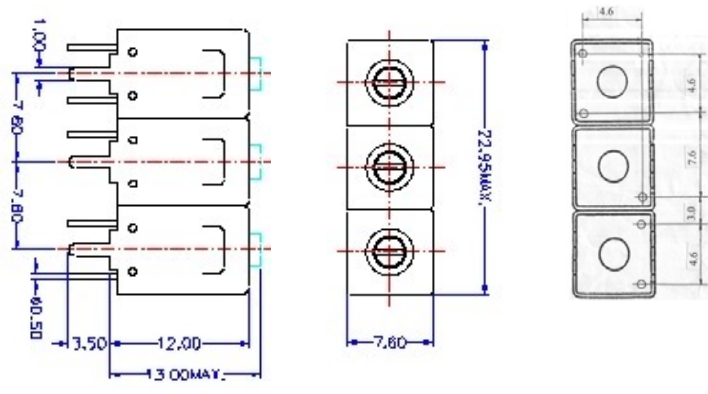


# VHF UHF Helical Filter Specification Sheet

Customer Name		Temwell's Part No.	TT67322B-325M
Approval No. /dated	20110015B	Acceptable Specify Fo. Range	311~355MHz
Work Instruction No.	20110015B	Date	Oct.09.2001

(1)Pin Position	(2)Size Diagram
 <p>(B) Type Bottom View</p>	

### (3)Electric Character

Item	Specify	Performance	
Center Freq.(Fo ) +/- 0.75 %	325 MHz	325 MHz	
Tunable Range	325±4 MHz	325±4 MHz	
Insertion Loss	Typ. 3.5 dB	2.62 dB	
-3 dB Bandwidth	Typ. 13 MHz	15.8 MHz	
Sensitivity (Attenuation)	Fo - 20 MHz	Typ. 29 dBc	32 dBc
	Fo + 20 MHz	Typ. 22 dBc	25 dBc
	Fo - ( )MHz	Typ. dBc	dBc
	Fo +( )MHz	Typ. dBc	dBc
Return Loss	Min. 12 dB	23 dB	
Ripple	< 1 dB	dB	
Impedance	In / Out : 50 Ω	In / Out : 50 Ω	

(4)Torque for Tuning Screw > 100gf • cm

### (5)Temperature Condition:

Operating Temperature	-30°C ~ +70°C
Storage Temperature	-30°C ~ +80°C

(6)Input Power > 1Watt

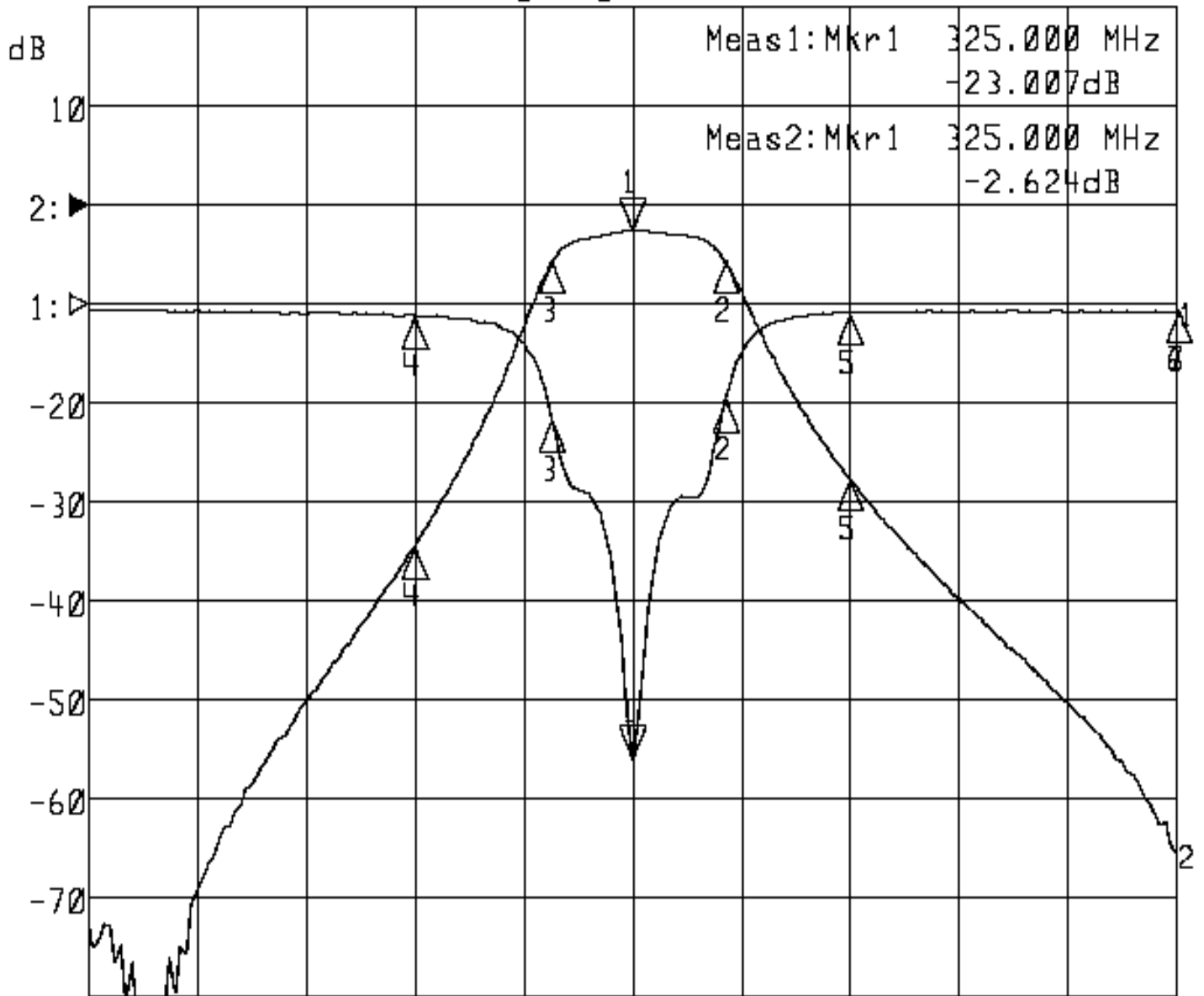
Approval	Supervisor	Designer	Aperture size
C.Y.Chang	C.S.Chang	C.S.Chang	7H3S(4*7.5)F 7H046LB4

TEMWELL CORPORATION

# Performance-TT67322B-325M

## 20110015B

▶1:S11 Refl Port1 Log Mag 5.0 dB/ Ref 0.00 dB C  
▶2:S12 Rev Trans Log Mag 10.0 dB/ Ref 0.00 dB C



Center 325.000 MHz

Span 100.000 MHz

1:Mkr (MHz)	dB	2:Mkr (MHz)	dB
1> 325.0000	-23.007	1> 325.0000	-2.624
2: 333.5333	-4.826	2: 333.5333	-5.674
3: 317.6667	-5.886	3: 317.6667	-5.652
4: 305.0000	-0.602	4: 305.0000	-34.438
5: 345.0000	-0.457	5: 345.0000	-27.695
6: 375.0000	-0.393		
7: 375.0000	-0.393		