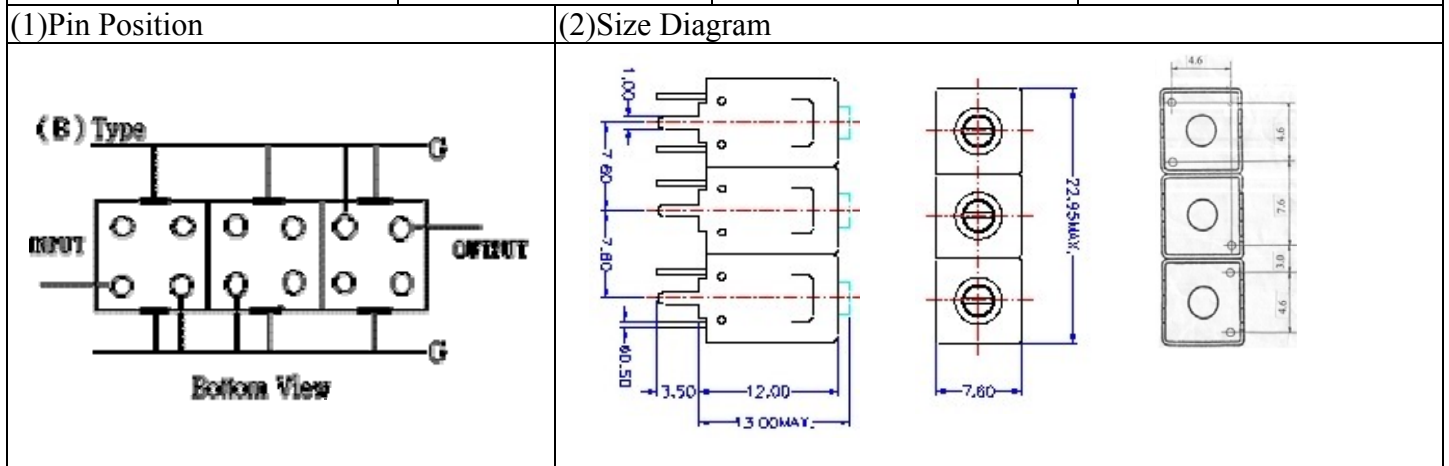


VHF UHF Helical Filter Specification Sheet

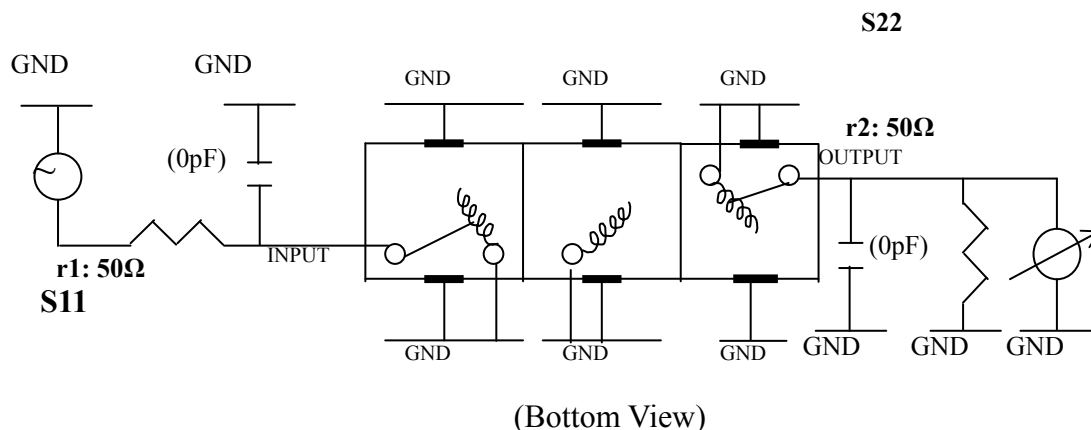
Customer Name		Temwell's Part No.	TT67324B-280M
Approval No. /dated	2003031APR	Temwell's print name	276~310M
Work Instruction No.	2003031D	Date	Jul.26.2006



(3) Electric Character		Item	Specify	Performance
Center Freq.(Fo) +/- 0.75 %			280 MHz	280 MHz
Tunable Range			280±4 MHz	280±4 MHz
Insertion Loss			Typ. 2.5 dB	1.56 dB
-3 dB Bandwidth			Typ. 17 MHz	20.3 MHz
Sensitivity (Attenuation)	Fo - 50 MHz	Typ. 55 dBc		61 dBc
	Fo + 50 MHz	Typ. 35 dBc		38 dBc
	Fo - ()MHz	Typ. dBc		dBc
	Fo +()MHz	Typ. dBc		dBc
Return Loss			Min. 12 dB	39.1 dB
Ripple			< 1 dB	dB
Impedance			In / Out : 50 Ω	In / Out : 50 Ω

(4) Torque for Tuning Screw	> 100gf · cm
(5) Temperature Condition:	
Operating Temperature	-30°C ~ +70°C
Storage Temperature	-30°C ~ +80°C
(6) Input Power	> 1Watt

(7) Measuring Circuit: ※Easy to match Impedance S11/S22 50Ω/by parallel with about (0 pF) / (0pF).



Approval	Supervisor	Designer	Aperture size
C.Y.Chang	C.S.Chang	W.W.Wang	7H3(4*7.5)F 7H024LB4

TEMWELL CORPORATION

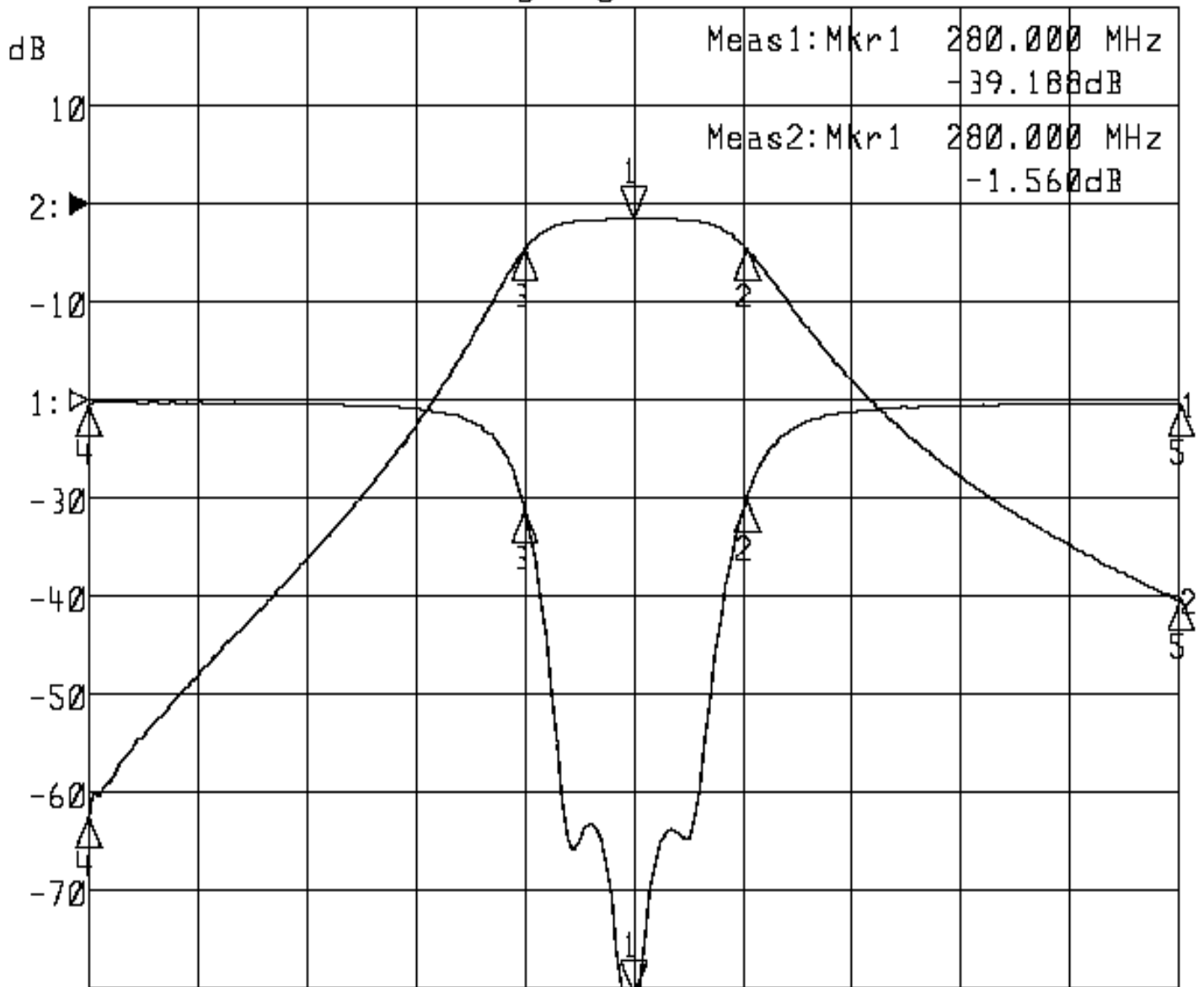
TEMWELL

Form10-7H3B Vision D RP W.W.Wang

Performance-TT67324B-280M

2003031D

►1:S11 Refl Port1 Log Mag 5.0 dB/ Ref 0.00 dB C
►2:S21 Fwd Trans Log Mag 10.0 dB/ Ref 0.00 dB C



Center 280.000 MHz

Span 100.000 MHz

1:Mkr (MHz)	dB	2:Mkr (MHz)	dB
1> 280.0000	-39.188	1> 280.0000	-1.560
2: 290.3000	-5.129	2: 290.3000	-4.533
3: 270.0667	-5.600	3: 270.0667	-4.562
4: 230.0000	-0.195	4: 230.0000	-62.550
5: 330.0000	-0.206	5: 330.0000	-40.372