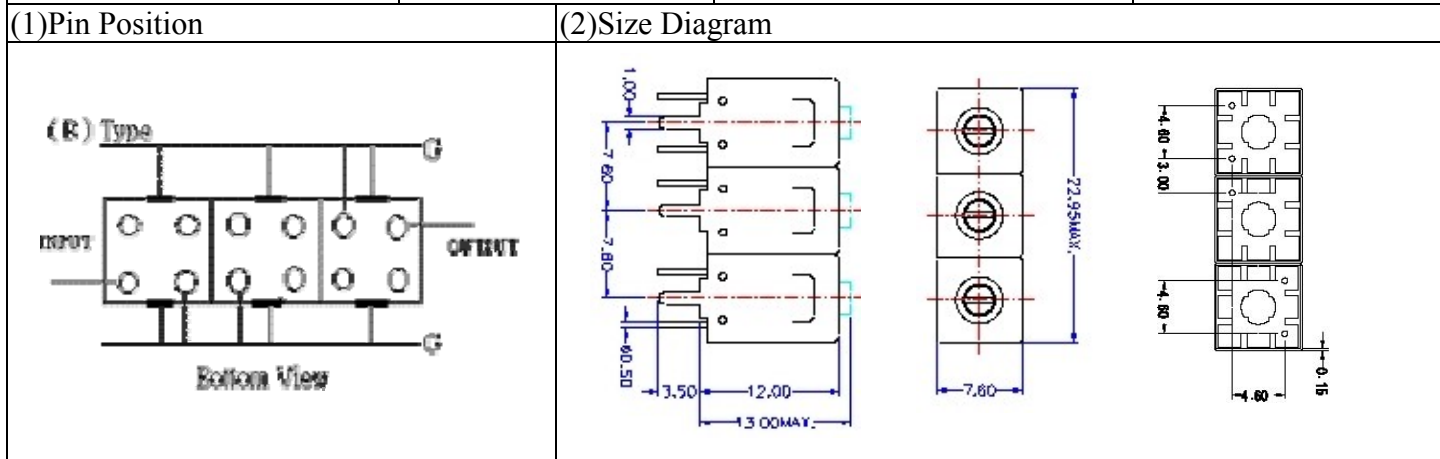


VHF UHF Helical Filter Specification Sheet

Customer Name		Temwell's Part No.	TT67325B-352M
Approval No. /dated	0903048CD	Temwell's Print name.	67325B 352M
Work Instruction No.	200903048CD	Date	MAR.23.2009



(3) Electric Characteristic

Item	Specify	Performance
Center Freq.(Fo) +/- 0.5 %	352 MHz	352 MHz
Tunable Range:	352±4 MHz	352±4 MHz
Insertion Loss	Typ. 2.5 dB	1.52 dB
-3 dB Bandwidth	Typ. 19 MHz	21 MHz
Sensitivity (Attenuation)	Fo - (50) MHz	Typ. 60 dBc
	Fo + (50) MHz	Typ. 36 dBc
	Fo - () MHz	Typ. dBc
	Fo + () MHz	Typ. dBc
Return Loss	Min. 12 dB	36.7 dB
Ripple	< 1 dB	dB
Impedance	In / Out : 50 Ω	In / Out : 50 Ω

(4) Torque for Tuning Screw

> 100gf • cm

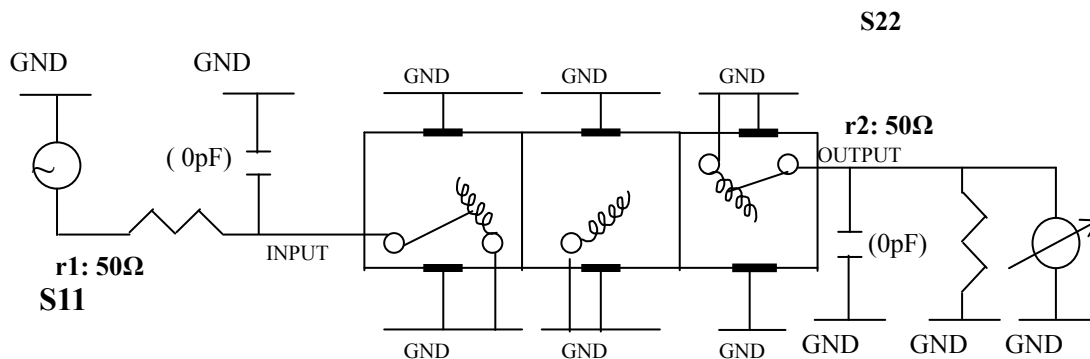
(5) Temperature Condition:

Operating Temperature	0°C ~ +60°C
Storage Temperature	-20°C ~ +70°C

(6) Input Power

> 1 Watt

(7) Measuring Circuit: ※Easy to match Impedance S11/S22 50Ωby parallel with about(0pF) / (0pF).



(Bottom View)

Approval C.Y.Chang	Supervisor C.K.Chang	Designer J.F.Lin	Aperture size 7H3S(4*7.5)(7.56) (7H046LB4.3 聚 3)
-----------------------	-------------------------	---------------------	--

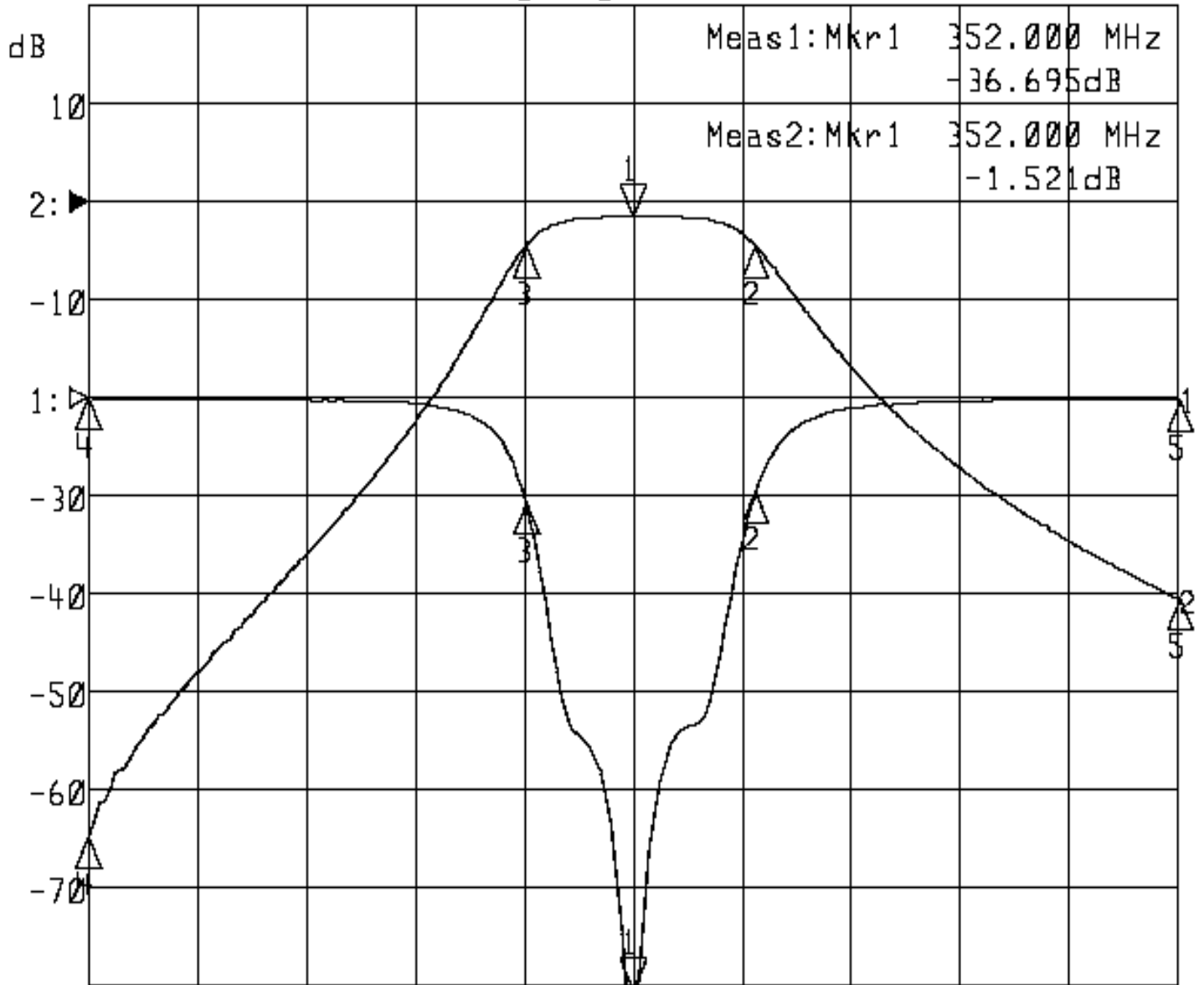
TEMWELL CORPORATION

Performance-TT67325B-352M

200903048CD

▶1:S11 Refl Port1 Log Mag 5.0 dB/ Ref 0.00 dB C

▶2:S21 Fwd Trans Log Mag 10.0 dB/ Ref 0.00 dB C



Center 352.000 MHz

Span 100.000 MHz

1: Mkr (MHz)	dB	2: Mkr (MHz)	dB
1> 352.0000	-36.695	1> 352.0000	-1.521
2: 363.2667	-4.806	2: 363.2667	-4.510
3: 342.2000	-5.371	3: 342.2000	-4.503
4: 302.0000	-0.030	4: 302.0000	-64.797
5: 402.0000	-0.068	5: 402.0000	-40.525