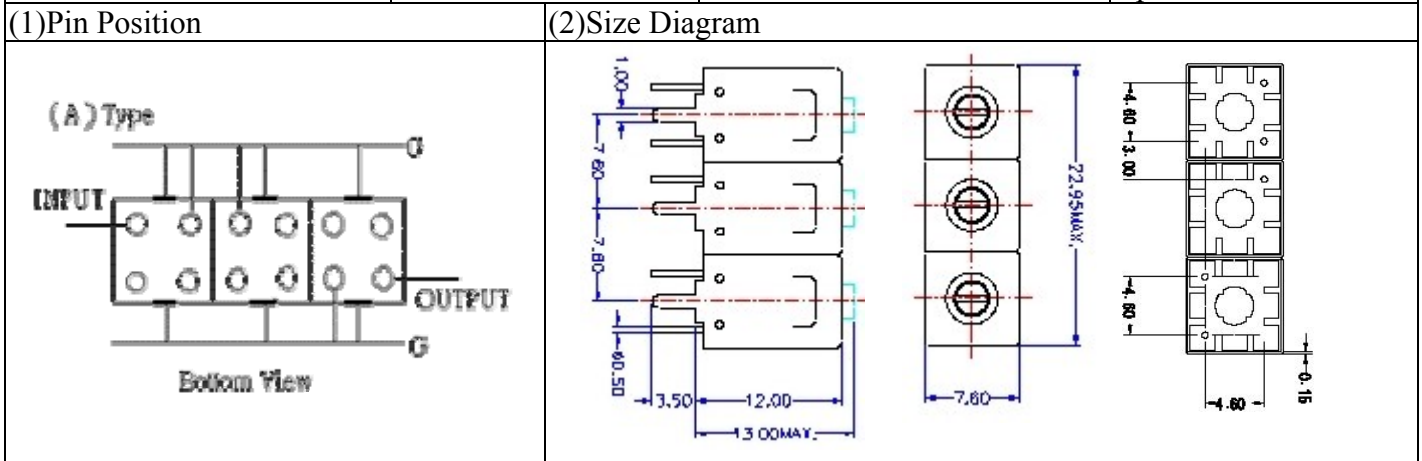


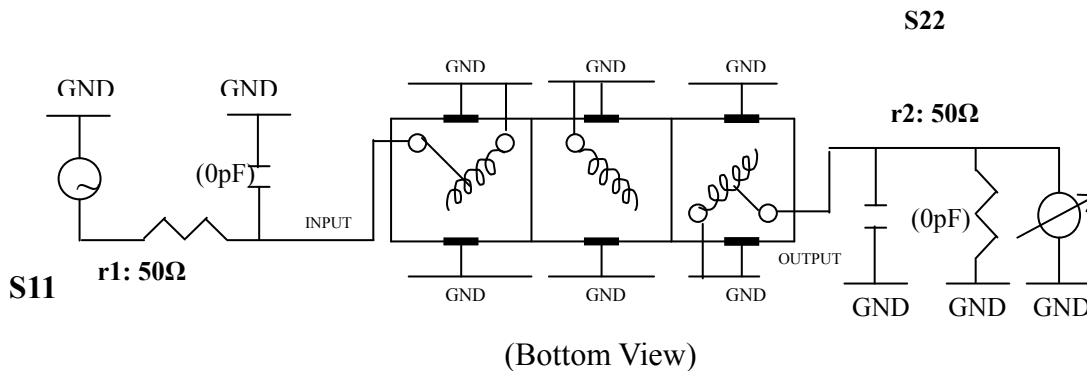
# VHF UHF Helical Filter Specification Sheet

Customer Name		Temwell's Part No.	TT67339A-1030M
Approval No. /dated	0902034CD	Customer's Print Name.	67339A 1030M
Work Instruction No.	200902034CD	Date	Apr.27.2009



(3) Electric Characteristic			
Item	Specify	Performance	
Center Freq.(Fo) +/- 0.5 %	1030 MHz	1030 MHz	
Tunable Range:	1030±5 MHz	1030±5 MHz	
Insertion Loss	Typ. 2.0 dB	1.11 dB	
-3 dB Bandwidth	Typ. 90 MHz	99.4 MHz	
Sensitivity (Attenuation)	Fo - 100 MHz	Typ. 24 dBc	26 dBc
	Fo + 100 MHz	Typ. 13 dBc	14 dBc
	Fo - ( )MHz	Typ. dBc	dBc
	Fo + ( )MHz	Typ. dBc	dBc
Return Loss	Min. 12 dB	21.0 dB	
Ripple	< 1 dB	dB	
Impedance	In / Out : 50 Ω	In / Out : 50 Ω	
(4) Torque for Tuning Screw			
		> 100gf · cm	
(5) Temperature Condition:			
Operating Temperature	-0°C ~ +60°C		
Storage Temperature	-20°C ~ +70°C		
(6) Input Power			
		> 1 Watt	

(7) Measuring Circuit: ※Easy to match Impedance S11/S22 50Ω by parallel with about(0pF) / (0pF).



Approval	Supervisor	Designer	Aperture size
C.Y.Chang	C.K.Chang	C.S.Chang	7H3(4*8.0F)(8.06) 7H046LB5.5

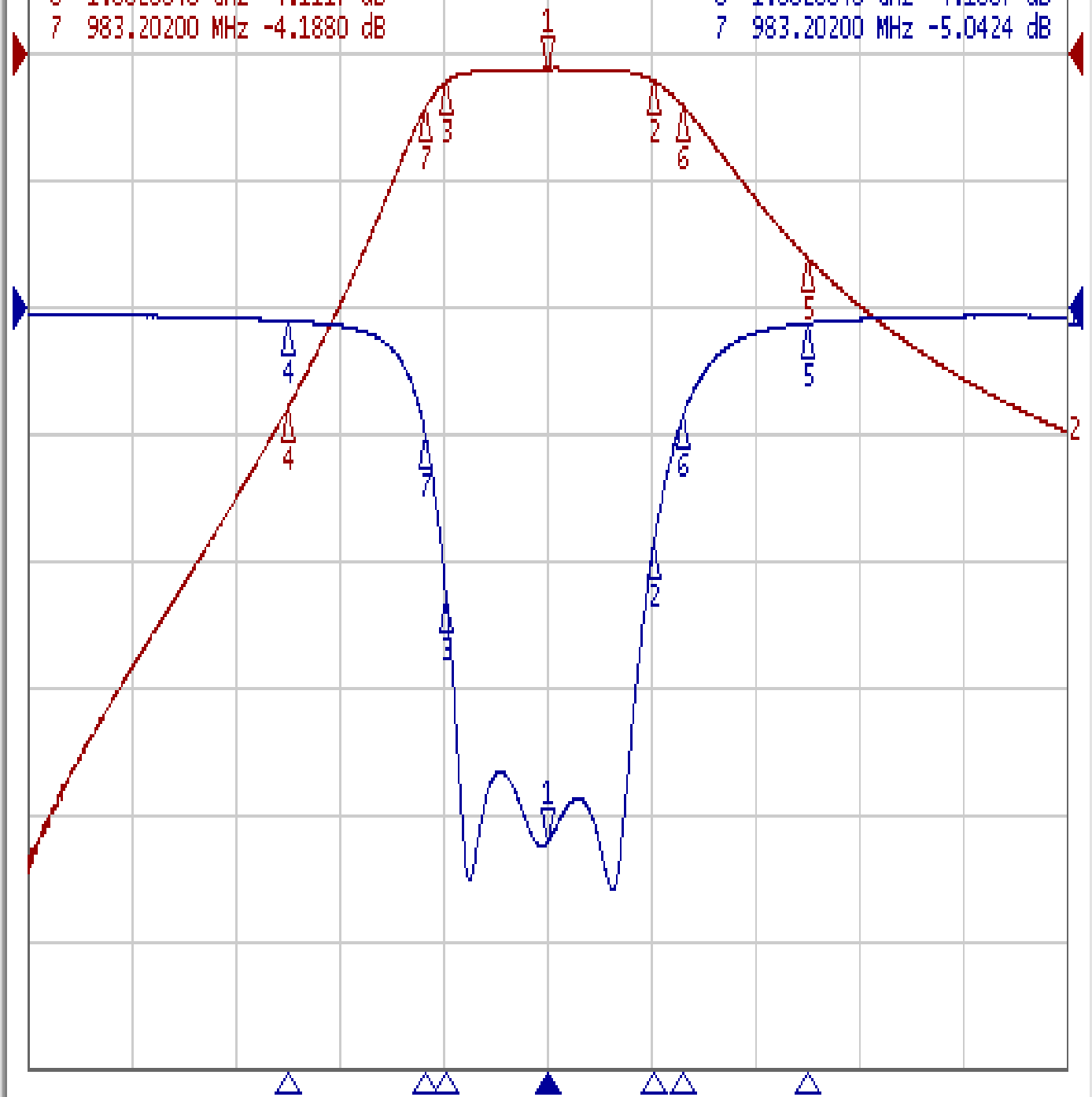
TEMWELL CORPORATION

# Performance-TT67339A-1030M

## 200902034CD

Tr1 S11 Log Mag 5.000dB/ Ref 0.000dB [F3]  
Tr2 S21 Log Mag 10.00dB/ Ref 0.000dB [F3]

1	1.0300000 GHz	-1.1116 dB	>1	1.0300000 GHz	-21.096 dB
2	1.0711230 GHz	-2.0765 dB	2	1.0711230 GHz	-9.3369 dB
3	991.20700 MHz	-2.0966 dB	3	991.20700 MHz	-11.485 dB
4	930.00000 MHz	-27.956 dB	4	930.00000 MHz	-0.5059 dB
5	1.1300000 GHz	-15.964 dB	5	1.1300000 GHz	-0.6069 dB
6	1.0826640 GHz	-4.1117 dB	6	1.0826640 GHz	-4.1667 dB
7	983.20200 MHz	-4.1880 dB	7	983.20200 MHz	-5.0424 dB



1 Center 1.03 GHz

IFBW 10 kHz

Span 400 MHz

