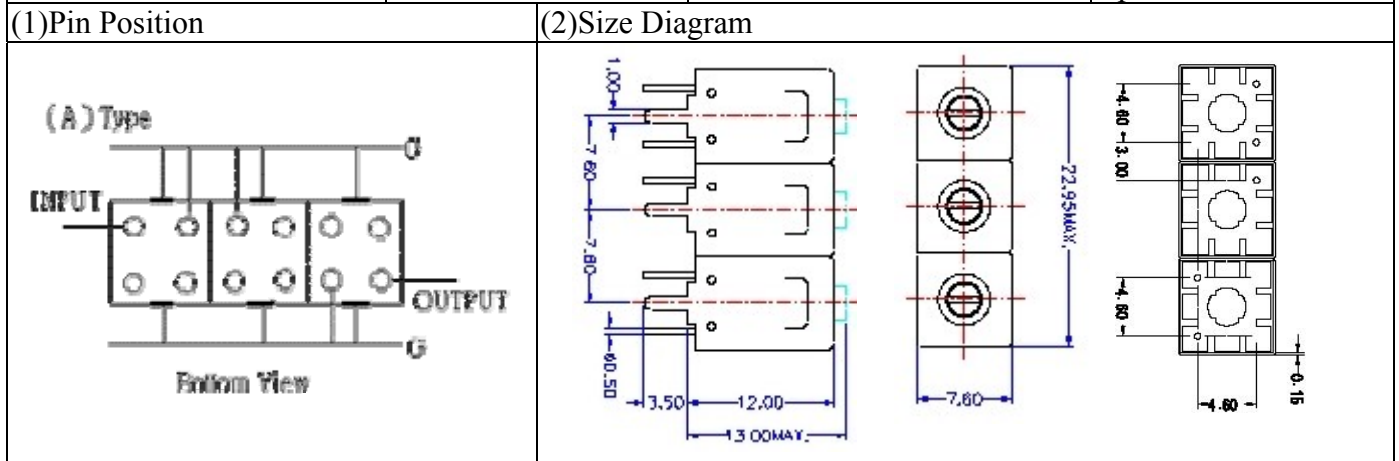
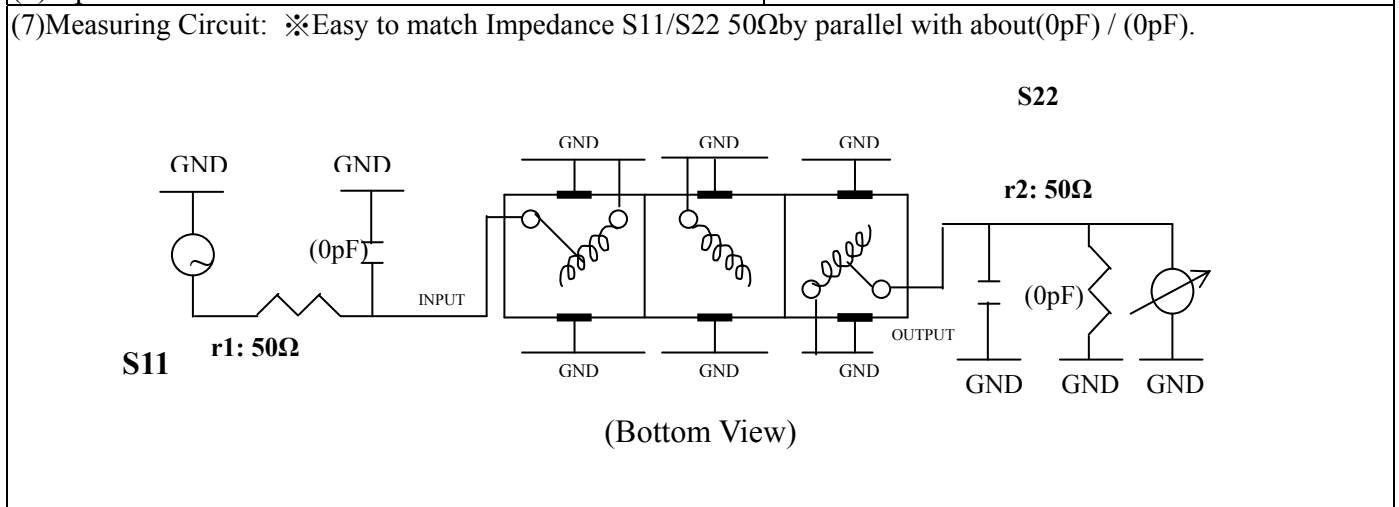


# VHF UHF Helical Filter Specification Sheet

Customer Name		Temwell's Part No.	TT67341A-1030M
Approval No. /dated	0902033CD	Customer's Print Name.	67341A 1030M
Work Instruction No.	200902033CD	Date	Apr.17.2009



(3) Electric Characteristic		Item	Specify	Performance
		Center Freq.(Fo) +/- 0.5 %	1030 MHz	1030 MHz
		Tunable Range:	1030±5 MHz	1030±5 MHz
		Insertion Loss	Typ. 2.0 dB	1.11 dB
		-3 dB Bandwidth	Typ. 77 MHz	85.0 MHz
Sensitivity (Attenuation)	Fo - 150 MHz	Typ. 44 dBc		47 dBc
	Fo + 150 MHz	Typ. 27 dBc		27 dBc
	Fo - ( )MHz	Typ. dBc		dBc
	Fo +( )MHz	Typ. dBc		dBc
		Return Loss	Min. 12 dB	26.5 dB
		Ripple	< 1 dB	dB
		Impedance	In / Out : 50 Ω	In / Out : 50 Ω
(4) Torque for Tuning Screw			> 100gf • cm	
(5) Temperature Condition:				
Operating Temperature			-0°C ~ +60°C	
Storage Temperature			-20°C ~ +70°C	
(6) Input Power			> 1 Watt	



Approval	Supervisor	Designer	Aperture size
C.Y.Chang	C.K.Chang	C.S.Chang	7H3S(4*7.5F)(7.53) 7H046LB5

TEMWELL CORPORATION

# Performance-TT67341A-1030M

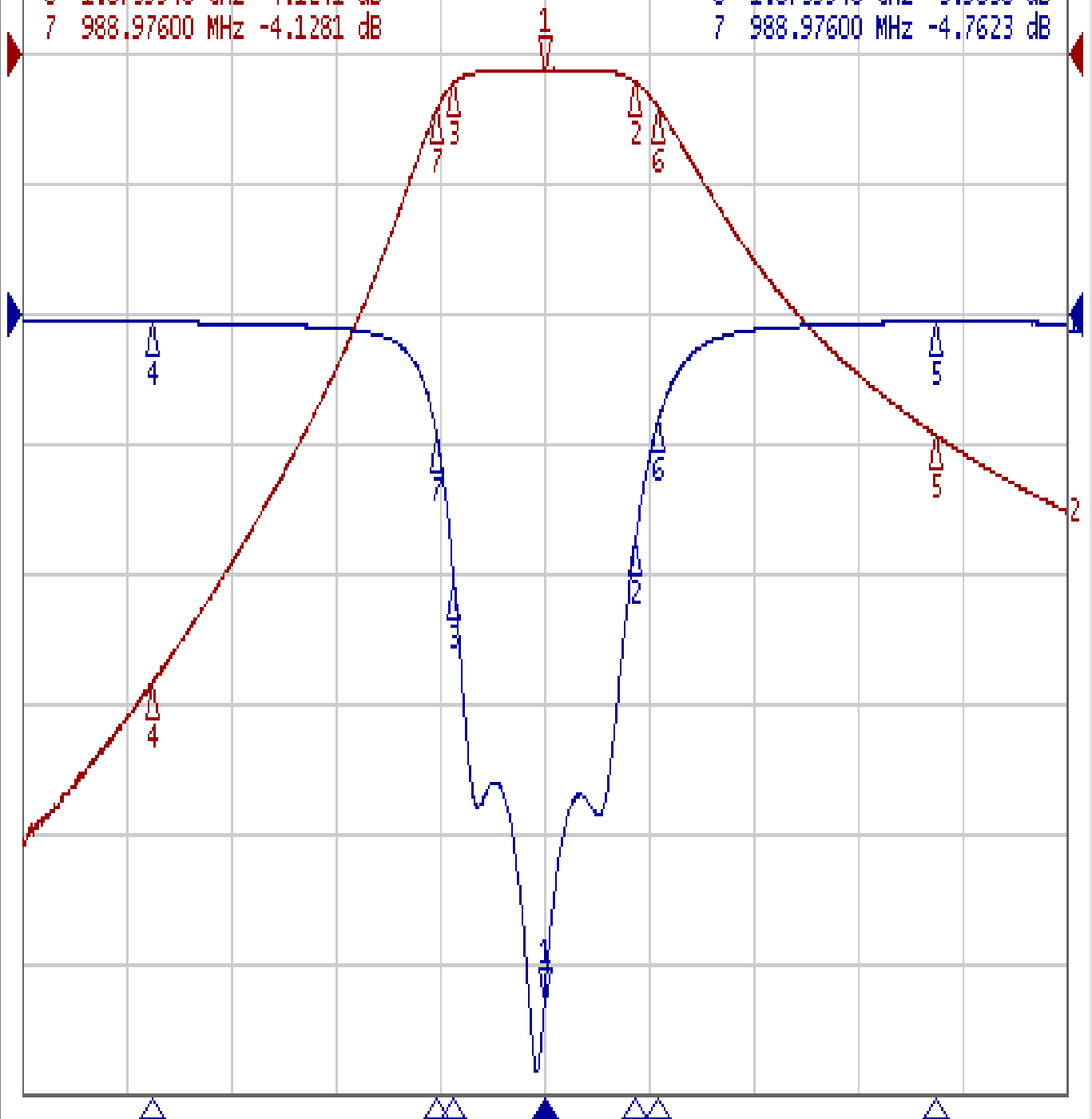
## 200902033CD

▶ Tr1 S11 Log Mag 5.000dB/ Ref 0.000dB [F3]

Tr2 S21 Log Mag 10.00dB/ Ref 0.000dB [F3]

1	1.0300000 GHz	-1.1104 dB
2	1.0648520 GHz	-2.0824 dB
3	995.57800 MHz	-2.1040 dB
4	880.00000 MHz	-48.341 dB
5	1.1800000 GHz	-29.292 dB
6	1.0739940 GHz	-4.1241 dB
7	988.97600 MHz	-4.1281 dB

>1	1.0300000 GHz	-26.521 dB
2	1.0648520 GHz	-8.7330 dB
3	995.57800 MHz	-10.356 dB
4	880.00000 MHz	-0.2822 dB
5	1.1800000 GHz	-0.2782 dB
6	1.0739940 GHz	-3.9630 dB
7	988.97600 MHz	-4.7623 dB



1 Center 1.03 GHz

IFBW 10 kHz

Span 400 MHz

