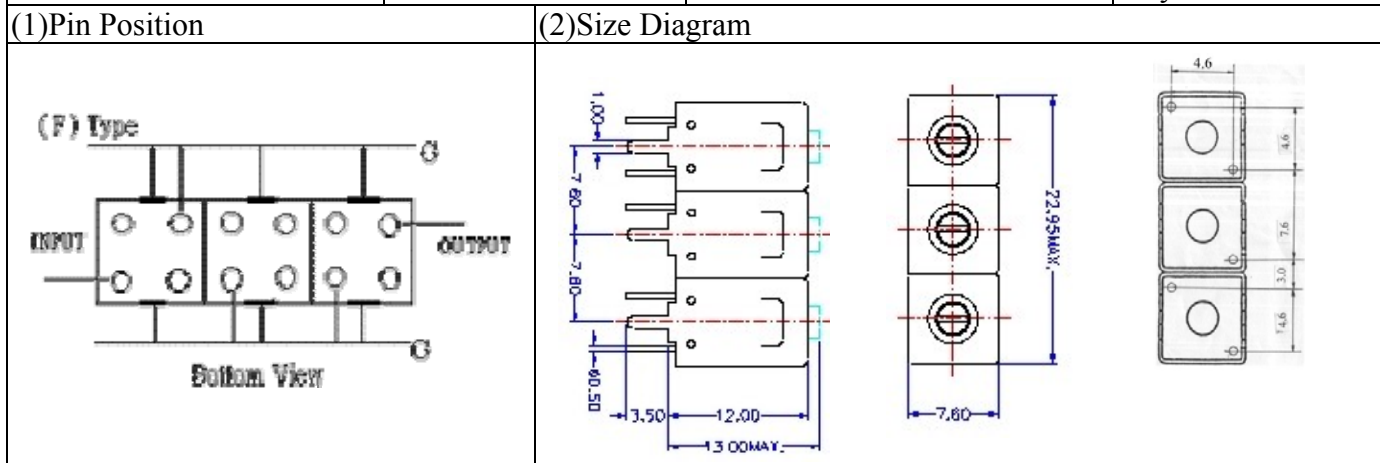


VHF UHF Helical Filter Specification Sheet

Customer Name		Temwell's Part No.	TT67344F-920M
Approval No. /dated	20404048DC	Acceptable Specify Fo Range	901~930MHz
Work Instruction No.	20404048DC	Date	May.18.2004



(3) Electric Charasteric

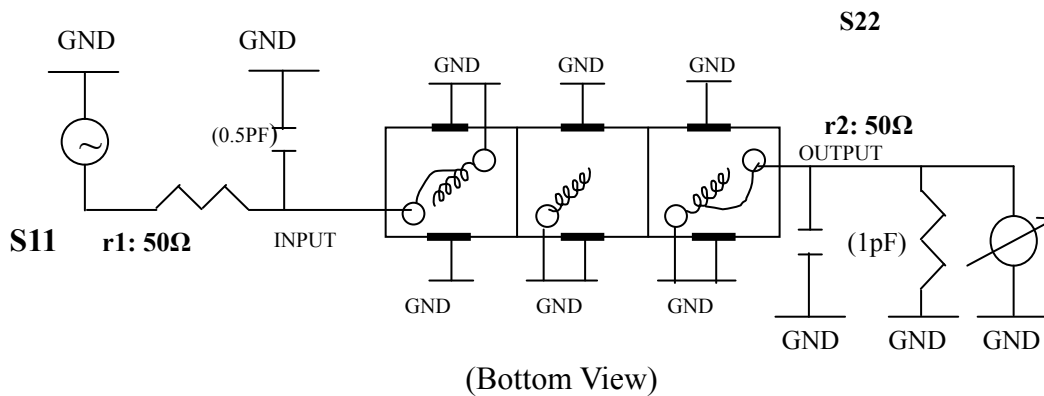
Item	Specify	Performance	
Center Freq.(Fo) +/- 0.5 %	920 MHz	920 MHz	
Tunable Range:	920±5 MHz	920±5 MHz	
Insertion Loss	Typ. 2.0 dB	1.6 dB	
-3 dB Bandwidth	Typ. 83 MHz	92 MHz	
Sensitivity (Attenuation)	Fo - 100 MHz	Typ. 27 dBc	29 dBc
	Fo + 100 MHz	Typ. 13 dBc	16 dBc
	Fo - ()MHz	Typ. dBc	dBc
	Fo +()MHz	Typ. dBc	dBc
Return Loss	Min. 12 dB	36.5 dB	
Ripple	< 1 dB	dB	
Impedance	In / Out : 50 Ω	In / Out : 50 Ω	
(4) Torque for Tuning Screw	> 100gf • cm		

(5) Temperature Condition:

Operating Temperature	0°C ~ +60°C
Storage Temperature	-20°C ~ +70°C

(6) Input Power > 1Watt

(7) Measuring Circuit: ※Easy to match Impedance S11/S22 50Ω by parallel with about(0.5PF)(1PF)



Approval	Supervisor	Designer	Aperture size
C.Y.Chang	C.S.Chang	Enlan	7H3(4*7.5)(7.5) 7H046LB5.5

TEMWELL CORPORATION

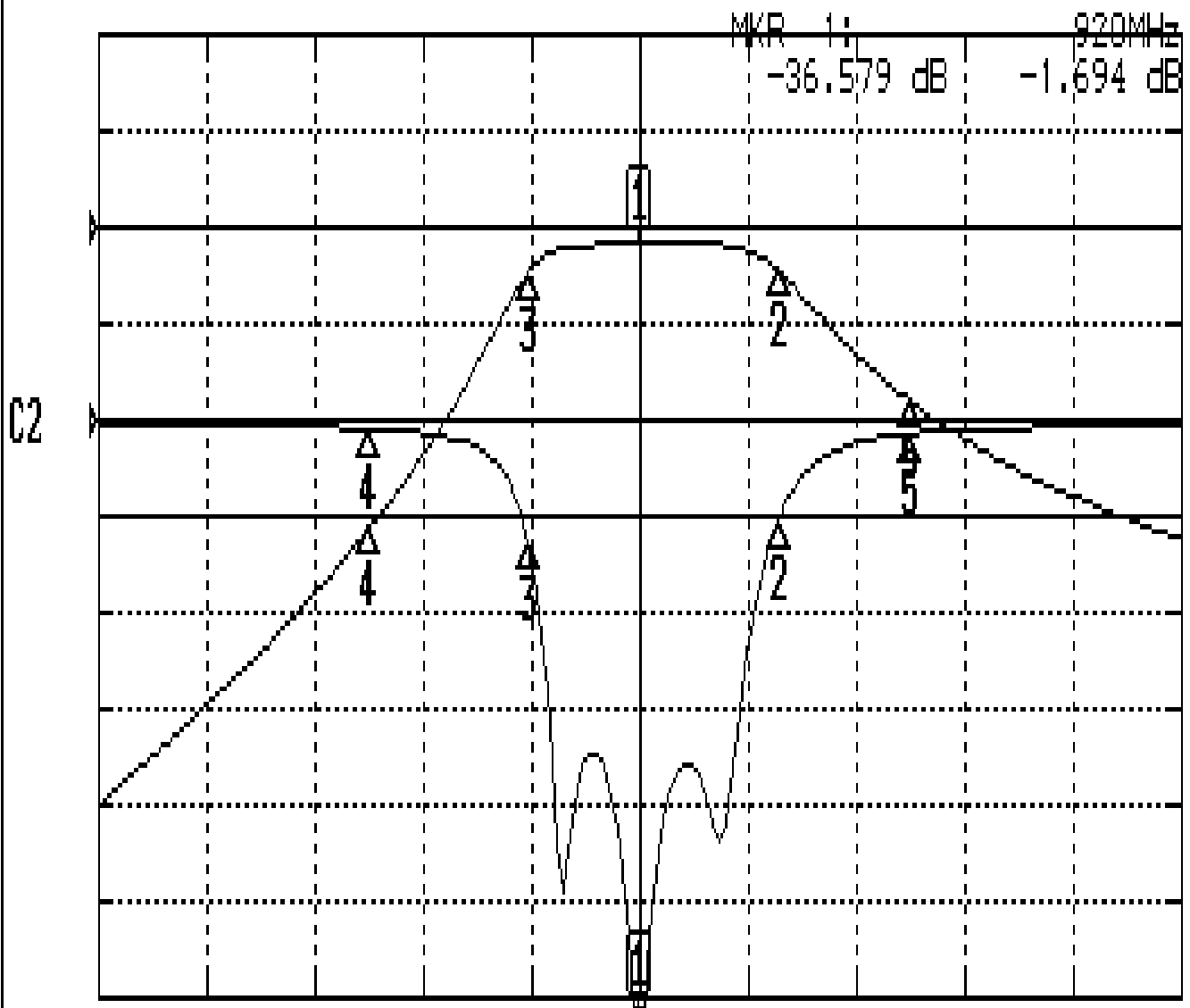
TEMWELL

Form10-7H3F Vision D

Performance-TT67344F-920M

20404048DC

CH1 S11&S21 LOG MAG REF 0.000 dB 5.000 dB/



MKR 1: 920MHz
-36.579 dB -1.694 dB

CENTER 920MHz

[10.00 dBm]

SPAN 400MHz

CH1 MARKER LIST

1:	920.000MHz	-36.579 dB	-1.694 dB
2:	971.333MHz	-5.174 dB	-4.639 dB
3:	879.000MHz	-6.523 dB	-4.789 dB
4:	820.000MHz	-8.463 dB	-31.299 dB
5:	1.020 000GHz	-8.782 dB	-18.856 dB