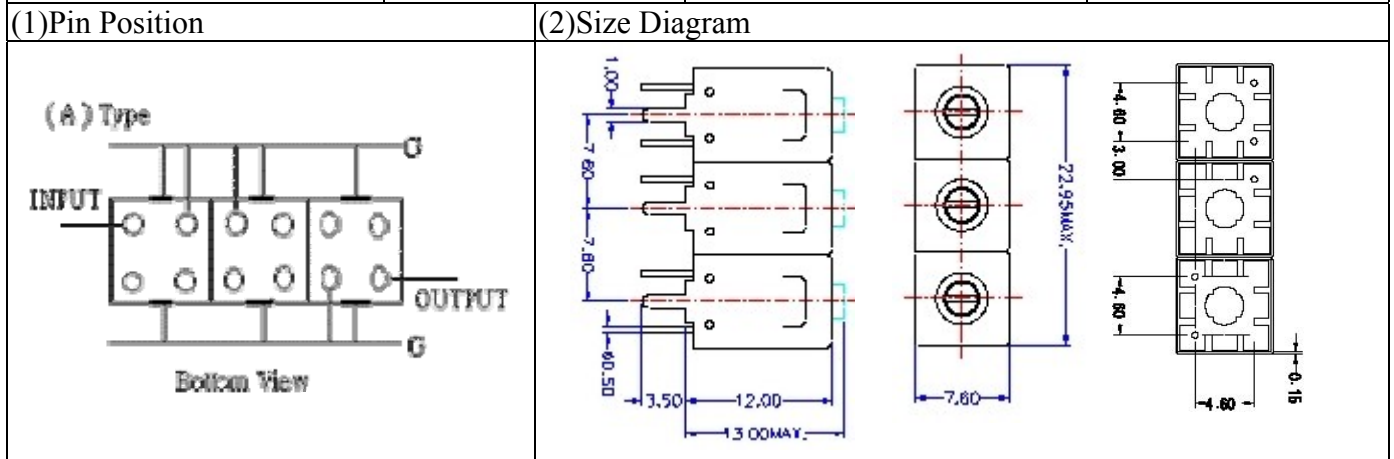
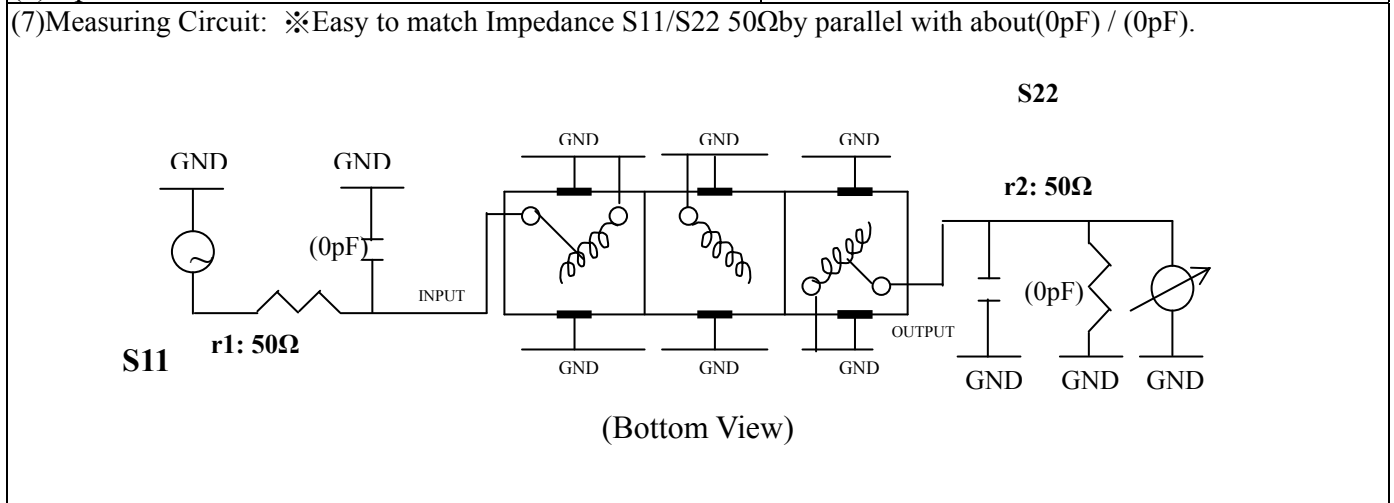


VHF UHF Helical Filter Specification Sheet

Customer Name		Temwell's Part No.	TT67346A-980M
Approval No. /dated	0902030CD	Customer's Print Name.	67346A 980M
Work Instruction No.	200902030CD	Date	Feb.12.2009



(3) Electric Characteristic		Item	Specify	Performance
		Center Freq.(Fo) +/- 0.5 %	980 MHz	980 MHz
		Tunable Range:	980±5 MHz	980±5 MHz
		Insertion Loss	Typ. 2.0 dB	1.32 dB
		-3 dB Bandwidth	Typ. 58 MHz	62.5 MHz
Sensitivity (Attenuation)	Fo - 100 MHz	Typ. 31 dBc		34 dBc
	Fo + 100 MHz	Typ. 18 dBc		21 dBc
	Fo - ()MHz	Typ. dBc		dBc
	Fo + ()MHz	Typ. dBc		dBc
		Return Loss	Min. 12 dB	24.4 dB
		Ripple	< 1 dB	dB
		Impedance	In / Out : 50 Ω	In / Out : 50 Ω
(4) Torque for Tuning Screw			> 100gf · cm	
(5) Temperature Condition:				
Operating Temperature			-0°C ~ +60°C	
Storage Temperature			-20°C ~ +70°C	
(6) Input Power			> 1 Watt	



Approval	Supervisor	Designer	Aperture size
C.Y.Chang	C.S.Chang	C.S.Chang	7H3(4*7.5F)(7.59) 7H046LB5
TEMWELL CORPORATION			

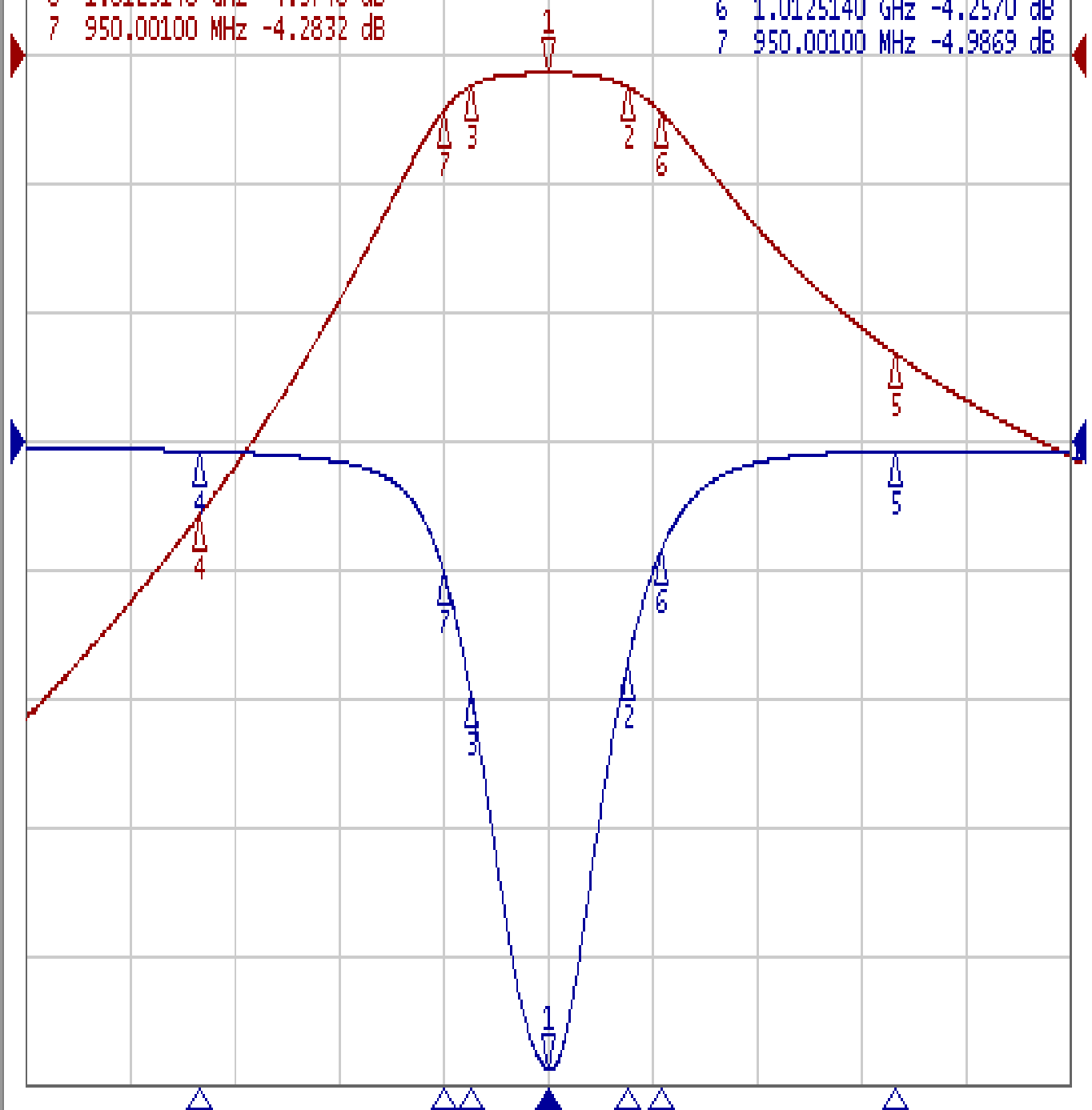
Performance-TT67346A-980M

200902030CD

▶ Tr1 S11 Log Mag 5.000dB/ Ref 0.000dB [F3]
Tr2 S21 Log Mag 10.00dB/ Ref 0.000dB [F3]

1	980.00000 MHz	-1.3289 dB
2	1.0029080 GHz	-2.3744 dB
3	957.87988 MHz	-2.3237 dB
4	880.00000 MHz	-35.767 dB
5	1.0800000 GHz	-23.181 dB
6	1.0125140 GHz	-4.3748 dB
7	950.00100 MHz	-4.2832 dB

>1	980.00000 MHz	-24.434 dB
2	1.0029080 GHz	-8.6866 dB
3	957.87988 MHz	-9.8145 dB
4	880.00000 MHz	-0.3731 dB
5	1.0800000 GHz	-0.3731 dB
6	1.0125140 GHz	-4.2570 dB
7	950.00100 MHz	-4.9869 dB



1 Center 980 MHz

IFBW 10 kHz

Span 300 MHz

