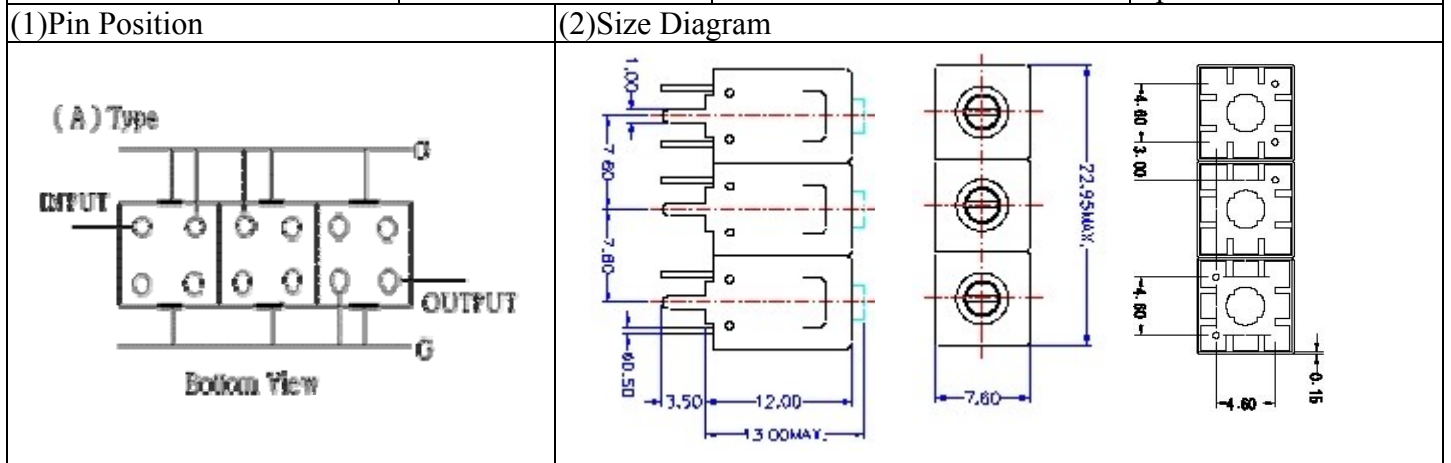


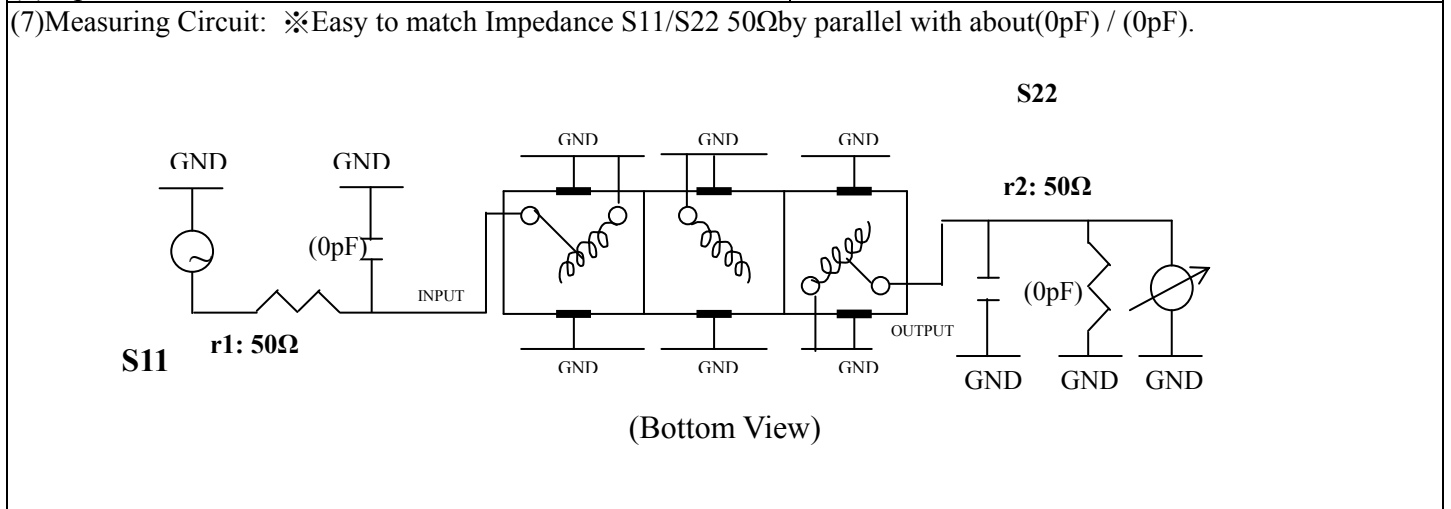
# VHF UHF Helical Filter Specification Sheet

Customer Name		Temwell's Part No.	TT67348A-980M
Approval No. /dated	0902031APR	Customer's Print Name.	67348A 980M
Work Instruction No.	200902031CD	Date	Apr.23.2009



(3)Electric Characteristic			
Item		Specify	Performance
Center Freq.(Fo ) +/- 0.5 %		980 MHz	980 MHz
Tunable Range:		980±5 MHz	980±5 MHz
Insertion Loss		Typ. 2.0 dB	1.28 dB
-3 dB Bandwidth		Typ. 80 MHz	88.1 MHz
Sensitivity (Attenuation )	Fo - 100 MHz	Typ. 31 dBc	32 dBc
	Fo + 100 MHz	Typ. 16 dBc	18 dBc
	Fo - ( )MHz	Typ. dBc	dBc
	Fo +( )MHz	Typ. dBc	dBc
Return Loss		Min. 12 dB	20.9 dB
Ripple		< 1 dB	dB
Impedance		In / Out : 50 Ω	In / Out : 50 Ω
(4)Torque for Tuning Screw		> 100gf · cm	

(5)Temperature Condition:	
Operating Temperature	-0°C ~ +60°C
Storage Temperature	-20°C ~ +70°C
(6)Input Power	> 1Watt



Approval C.Y.Chang	Supervisor C.K.Chang	Designer C.S.Chang	Aperture size 7H3(4*8.0F)(8.06) 7H046LB5.5
-----------------------	-------------------------	-----------------------	--

TEMWELL CORPORATION

# Performance-TT67348A-980M

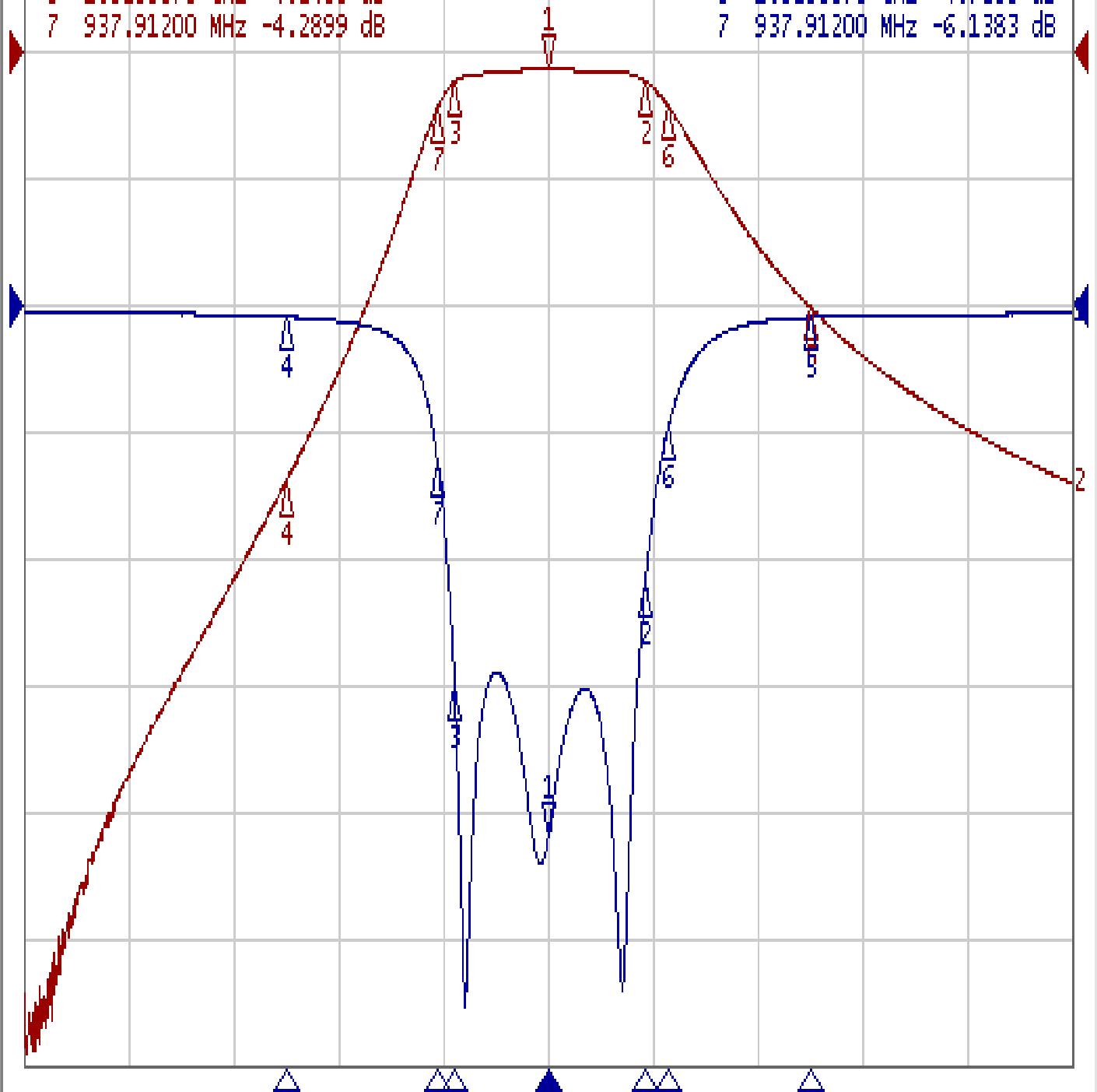
## 200902031CD

Tr1 S11 Log Mag 5.000dB/ Ref 0.000dB [F3]

Tr2 S21 Log Mag 10.00dB/ Ref 0.000dB [F3]

1	980.00000 MHz	-1.2803 dB
2	1.0172190 GHz	-2.2514 dB
3	944.35600 MHz	-2.2948 dB
4	880.00000 MHz	-33.895 dB
5	1.0800000 GHz	-20.102 dB
6	1.0260575 GHz	-4.2430 dB
7	937.91200 MHz	-4.2899 dB

>1	980.00000 MHz	-20.986 dB
2	1.0172190 GHz	-10.927 dB
3	944.35600 MHz	-15.041 dB
4	880.00000 MHz	-0.4223 dB
5	1.0800000 GHz	-0.4409 dB
6	1.0260575 GHz	-4.7253 dB
7	937.91200 MHz	-6.1383 dB



1 Center 980 MHz

IFBW 10 kHz

Span 400 MHz

C7 !