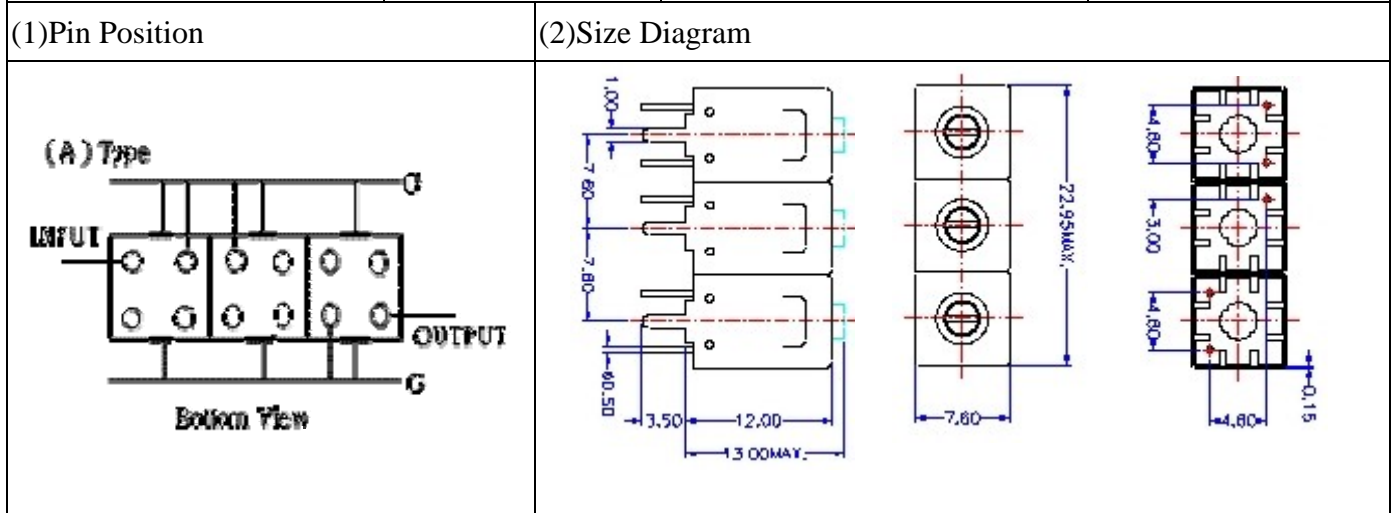


VHF UHF Helical Filter Specification Sheet

Customer Name		Temwell's Part No.	TT67350A-1060M
Approval No. /dated	2008074D	Acceptable Specify Fo. Range	1001~1100MHz
Work Instruction No.	2008074D	Date	Sep.07.2000



(3) Electric Character

Item	Specify	Performance
Center Freq.(Fo) +/- 0.5 %	1060 MHz	1060 MHz
Tunable Range	1060±5 MHz	1060±5 MHz
Insertion Loss	Typ. 3.5 dB	2.3 dB
-3 dB Bandwidth	Typ. 55 MHz	66 MHz
Sensitivity (Attenuation)	Fo - 100 MHz	Typ. 33 dBc
	Fo + 100 MHz	Typ. 20 dBc
	Fo - ()MHz	Typ. dBc
	Fo +()MHz	Typ. dBc
Return Loss	Min. 12 dB	19.6 dB
Ripple	< 1 dB	dB
Impedance	In / Out : 50 Ω	In / Out : 50 Ω
(4) Torque for Tuning Screw	> 100gf • cm	

(5) Temperature Condition:

Operating Temperature	0°C ~ +60°C
Storage Temperature	-20°C ~ +70°C

(6) Input Power

	> 1Watt
--	---------

Approval	Supervisor	Designer	Aperture size
C.Y.Chang	C.S.Chang	C.S.Chang	7H3S(4*7.5) 7H046LB5

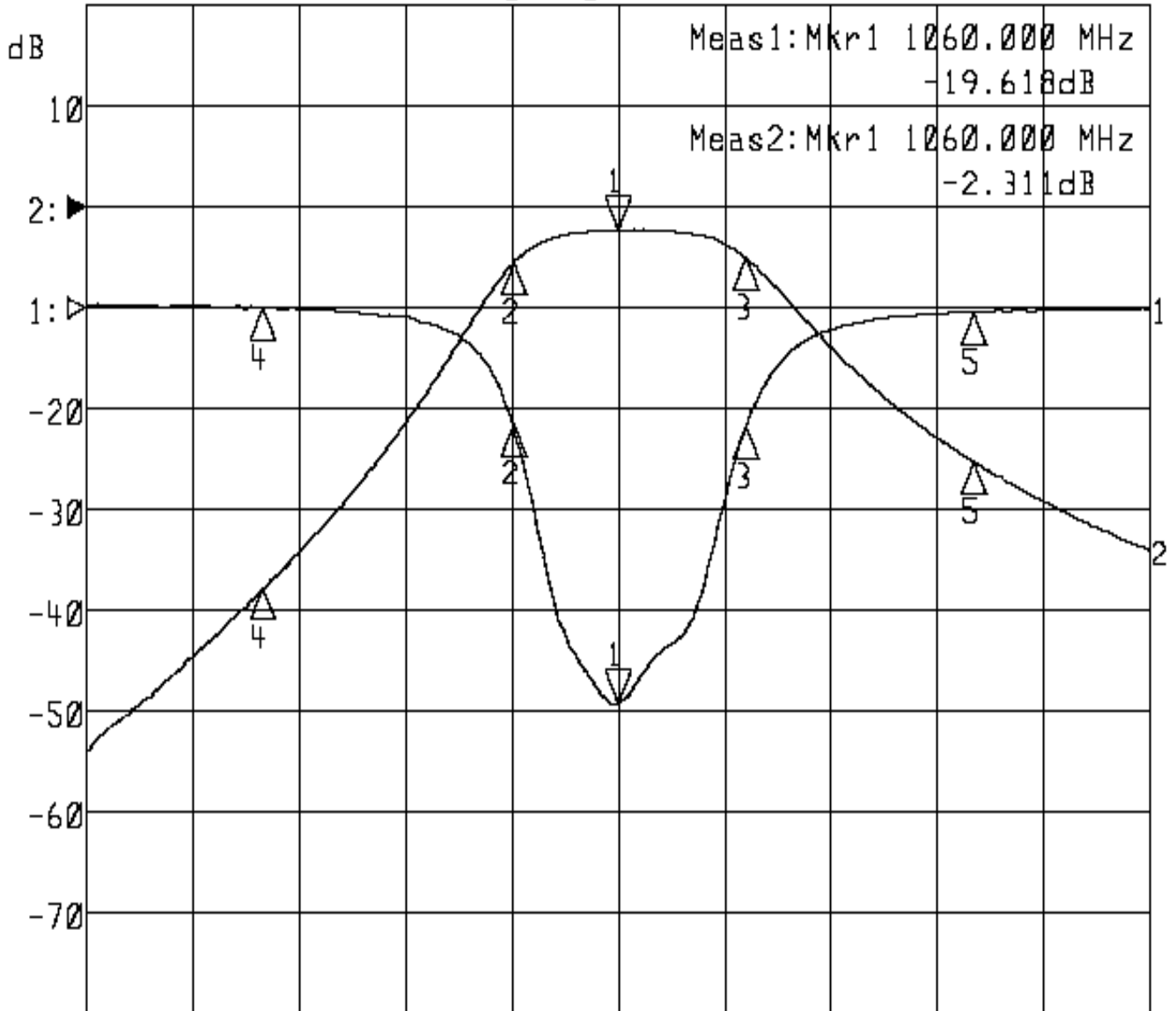
TEMWELL CORPORATION

Performance-TT67350A-1060M

2008074D

▶1:S11 Refl Port1 Log Mag 5.0 dB/ Ref 0.00 dB C

▶2:S21 Fwd Trans Log Mag 10.0 dB/ Ref 0.00 dB C



Center 1 060.000 MHz

Span 300.000 MHz

1: Mkr (MHz)	dB	2: Mkr (MHz)	dB
1> 1060.0000	-19.618	1> 1060.0000	-2.311
2: 1030.4000	-5.784	2: 1030.4000	-5.615
3: 1096.2000	-5.846	3: 1096.2000	-5.084
4: 960.0000	-0.002	4: 960.0000	-37.859
5: 1160.0000	-0.192	5: 1160.0000	-25.162