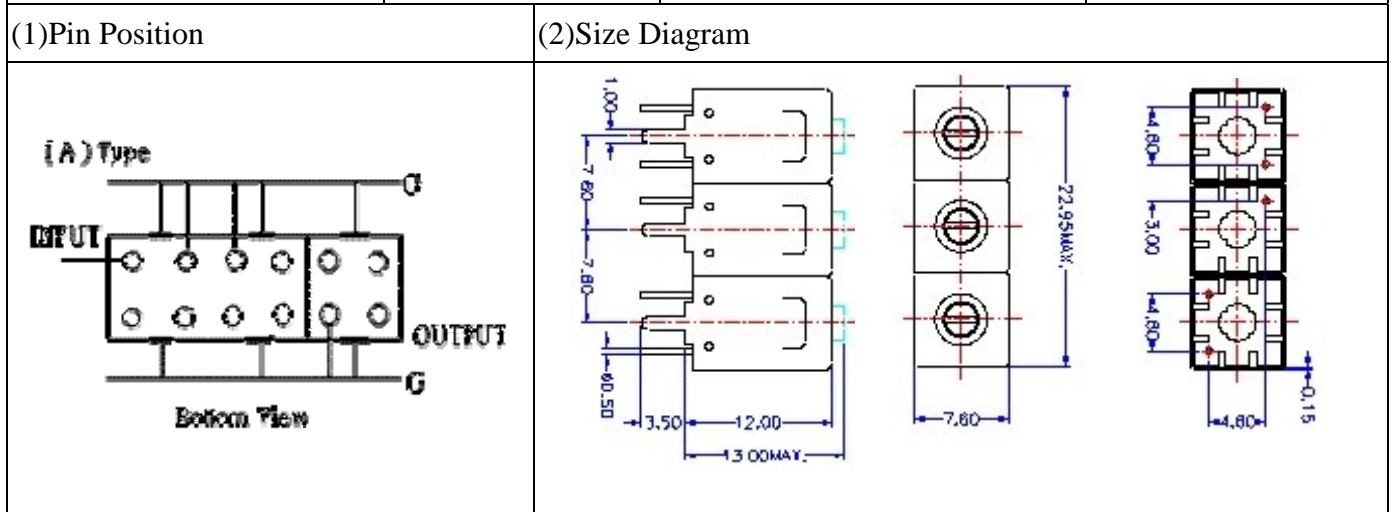


# VHF UHF Helical Filter Specification Sheet

Customer Name		Temwell's Part No.	TT67357A-1160M
Approval No. /dated	2008088D	Acceptable Specify Fo. Range	1101~1180MHz
Work Instruction No.	2008088D	Date	Sep.25.2000



(3) Electric Character			
Item	Specify	Performance	
Center Freq.(Fo ) +/- 0.5 %	1160 MHz	1160	MHz
Tunable Range	1160±5 MHz	1160±5	MHz
Insertion Loss	Typ. 3.0 dB	2.1	dB
-3 dB Bandwidth	Typ. 68 MHz	80	MHz
Sensitivity (Attenuation)	Fo - 100 MHz	Typ. 28	dBc
	Fo + 100 MHz	Typ. 16	dBc
	Fo - ( )MHz	Typ.	dBc
	Fo +( )MHz	Typ.	dBc
Return Loss	Min. 12 dB	15	dB
Ripple	< 1 dB		dB
Impedance	In / Out : 50 Ω	In / Out : 50 Ω	
(4) Torque for Tuning Screw	> 100gf · cm		

(5) Temperature Condition:	
Operating Temperature	0°C ~ +60°C
Storage Temperature	-20°C ~ +70°C
(6) Input Power	> 1Watt

Approval	Supervisor	Designer	Aperture size
C.Y.Chang	C.S.Chang	C.S.Chang	7H3S(4*7.5) 7H046LB5

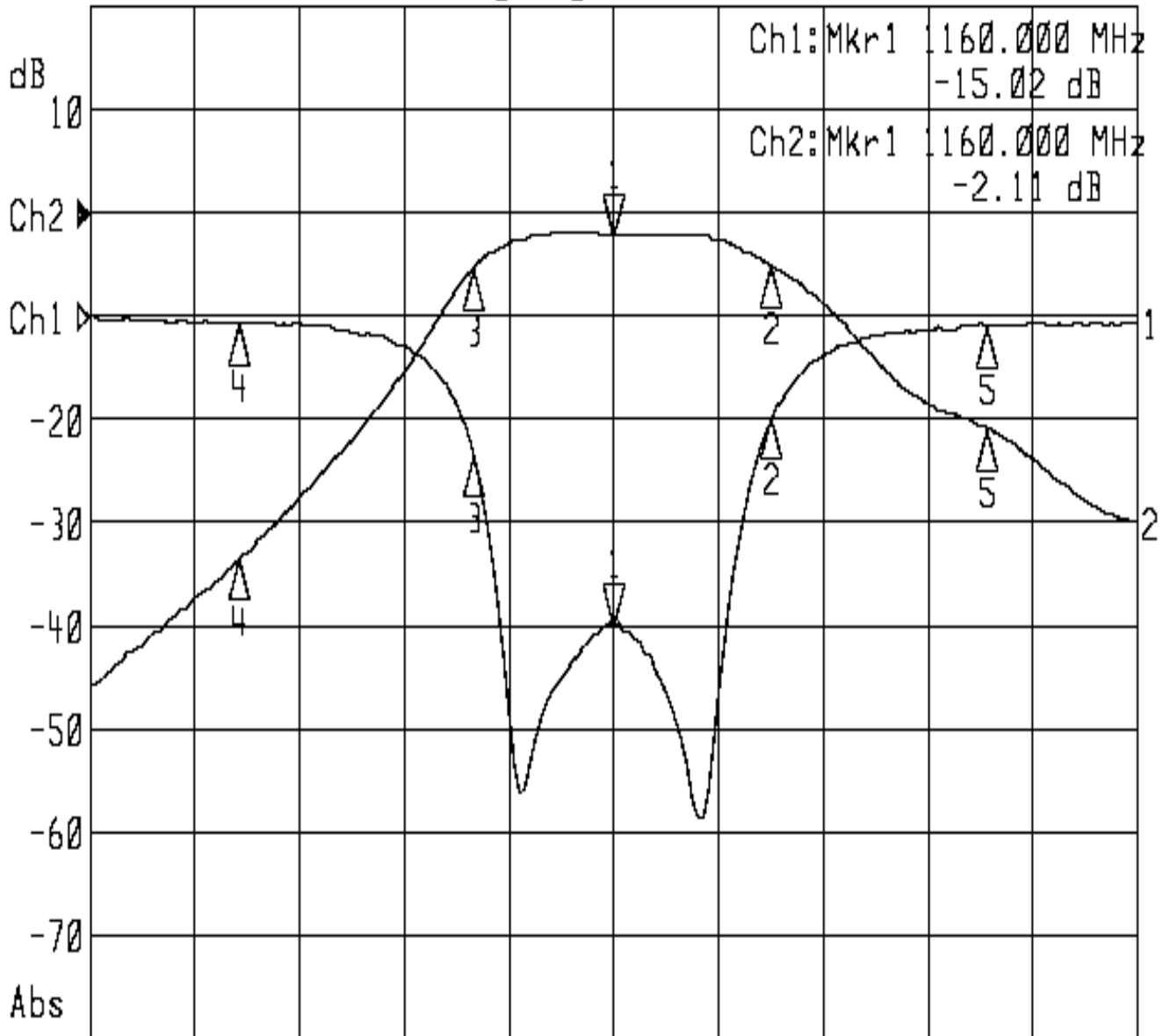
TEMWELL CORPORATION

# Performance-TT67357A-1160M

## 2008088D

▶1: Reflection      Log Mag    5.0 dB/    Ref    0.00 dB    C

▶2: Transmission    Log Mag    10.0 dB/    Ref    0.00 dB    C



Center 1 160.000 MHz

Span 200.000 MHz

1: Mkr (MHz)	dB	2: Mkr (MHz)	dB
1> 1160.00	-15.02	1> 1160.00	-2.11
2: 1202.28	-4.91	2: 1202.28	-5.15
3: 1122.59	-6.74	3: 1122.59	-5.18
4: 1060.00	-0.27	4: 1060.00	-33.56
5: 1260.00	-0.45	5: 1260.00	-20.83