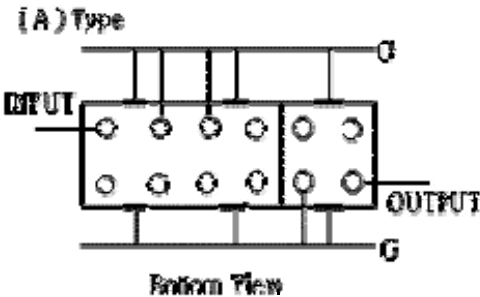
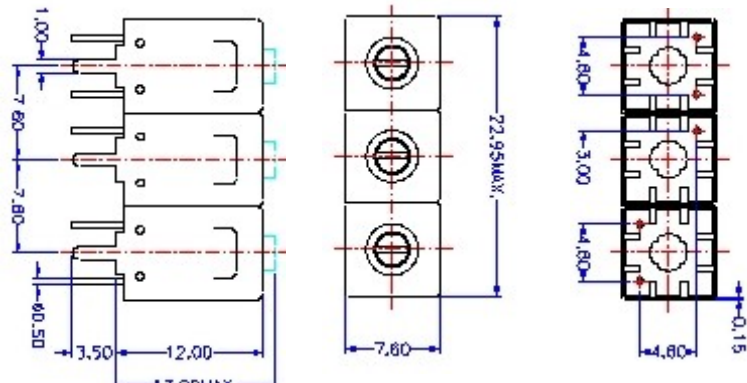


# VHF UHF Helical Filter Specification Sheet

Customer Name		Temwell's Part No.	TT67358A-1160M
Approval No. /dated	2008090D	Acceptable Specify Fo. Range	1101~1180MHz
Work Instruction No.	2008090D	Date	Sep.21.2000

(1)Pin Position	(2)Size Diagram
 <p style="text-align: center;">(A) Type Bottom View</p>	

(3)Electric Character			
Item	Specify	Performance	
Center Freq.(Fo ) +/- 0.5 %	1160 MHz	1160	MHz
Tunable Range	1160±5 MHz	1160±5	MHz
Insertion Loss	Typ. 2.5 dB	1.5	dB
-3 dB Bandwidth	Typ. 77 MHz	89	MHz
Sensitivity (Attenuation)	Fo - 140 MHz	Typ. 35	dBc
	Fo + 140 MHz	Typ. 21	dBc
	Fo - ( )MHz	Typ.	dBc
	Fo +( )MHz	Typ.	dBc
Return Loss	Min. 12 dB	26.1	dB
Ripple	< 1 dB		dB
Impedance	In / Out : 50 Ω	In / Out : 50 Ω	
(4)Torque for Tuning Screw	> 100gf · cm		

(5)Temperature Condition:	
Operating Temperature	0°C ~ +60°C
Storage Temperature	-20°C ~ +70°C
(6)Input Power	> 1Watt

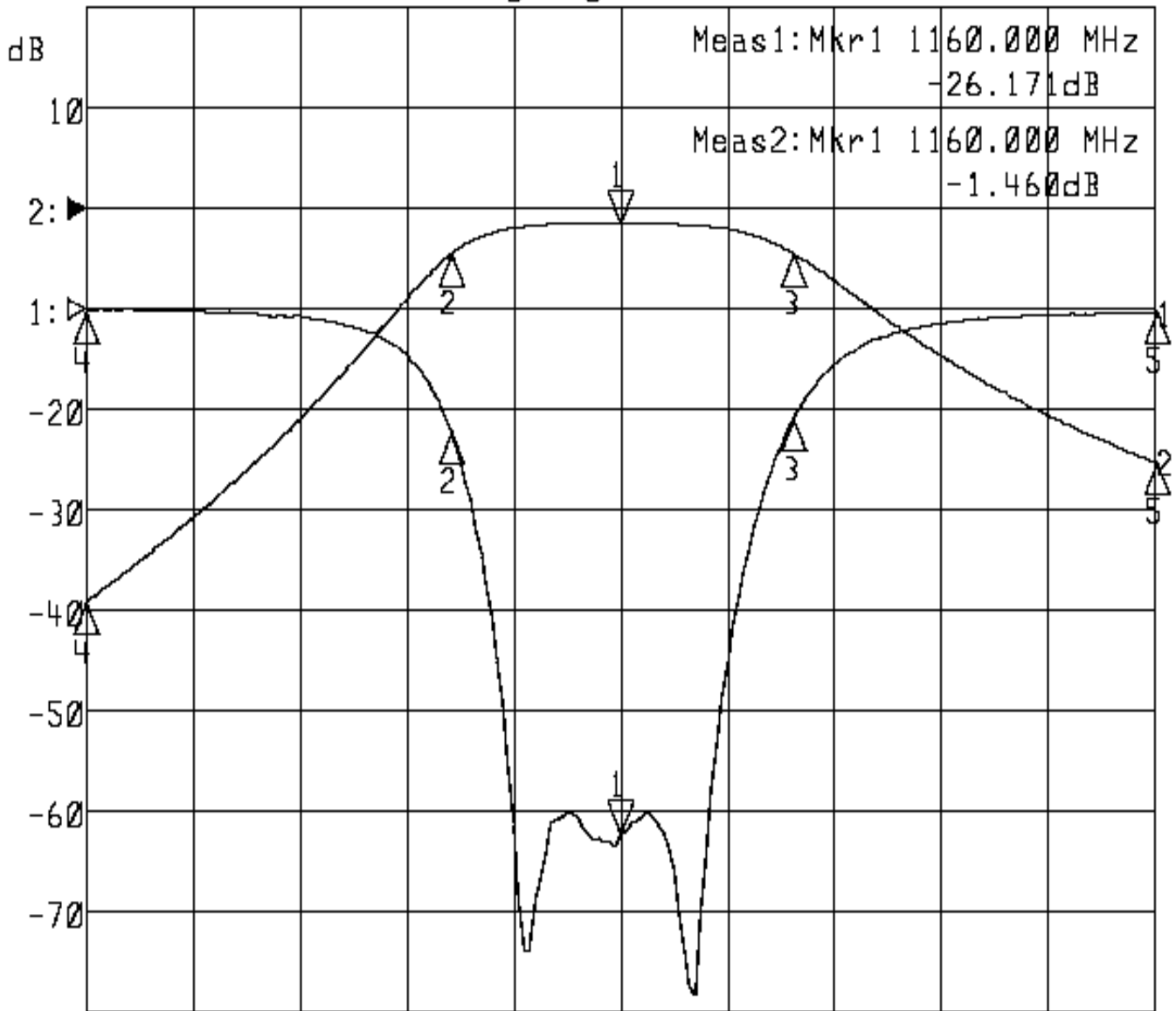
Approval	Supervisor	Designer	Aperture size
C.Y.Chang	C.S.Chang	C.S.Chang	7H3S(4*7.5) 7H046LB6

TEMWELL CORPORATION

# Performance-TT67358A-1160M

## 2008090D

▶1: S11 Refl Port1    Log Mag    5.0 dB/ Ref    0.00 dB    C  
 ▶2: S21 Fwd Trans    Log Mag    10.0 dB/ Ref    0.00 dB    C



Meas1: Mkr1 1160.000 MHz  
                   -26.171 dB  
 Meas2: Mkr1 1160.000 MHz  
                   -1.460 dB

Center 1 160.000 MHz

Span 280.000 MHz

1: Mkr (MHz)	dB	2: Mkr (MHz)	dB
1> 1160.0000	-26.171	1> 1160.0000	-1.460
2: 1115.7600	-6.173	2: 1115.7600	-4.453
3: 1205.1733	-5.514	3: 1205.1733	-4.444
4: 1020.0000	-0.080	4: 1020.0000	-39.284
5: 1300.0000	-0.185	5: 1300.0000	-25.231