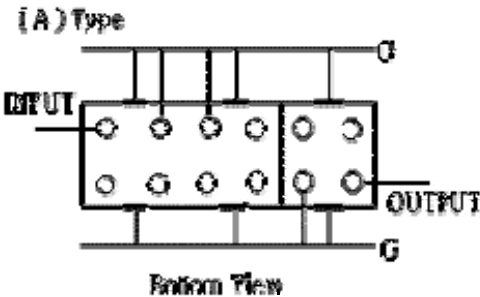
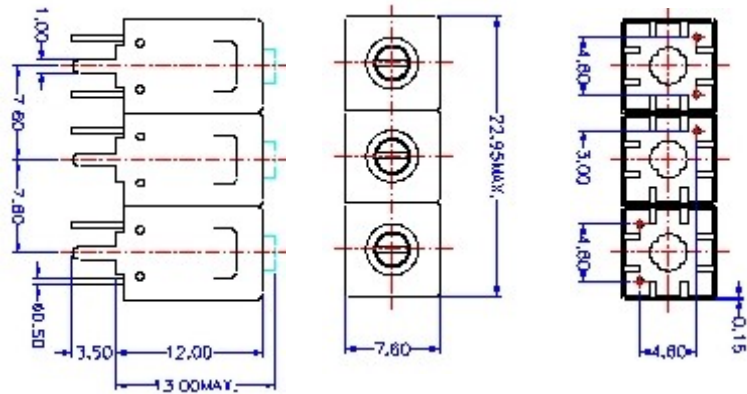


VHF UHF Helical Filter Specification Sheet

Customer Name		Temwell's Part No.	TT67359A-1160M
Approval No. /dated	2008092D	Acceptable Specify Fo. Range	1101~1180MHz
Work Instruction No.	2008092D	Date	Sep.21.2000

(1)Pin Position	(2)Size Diagram
 <p>(A) Type Bottom View</p>	

(3)Electric Character

Item	Specify	Performance	
Center Freq.(Fo) +/- 0.5 %	1160 MHz	1160 MHz	
Tunable Range	1160±5 MHz	1160±5 MHz	
Insertion Loss	Typ. 3.5 dB	2.2 dB	
-3 dB Bandwidth	Typ. 89 MHz	101 MHz	
Sensitivity (Attenuation)	Fo - 140 MHz	Typ. 33 dBc	36 dBc
	Fo + 140 MHz	Typ. 19 dBc	22 dBc
	Fo - ()MHz	Typ. dBc	dBc
	Fo +()MHz	Typ. dBc	dBc
Return Loss	Min. 12 dB	16.8 dB	
Ripple	< 1 dB	dB	
Impedance	In / Out : 50 Ω	In / Out : 50 Ω	
(4)Torque for Tuning Screw	> 100gf · cm		

(5)Temperature Condition:

Operating Temperature	0°C ~ +60°C
Storage Temperature	-20°C ~ +70°C

(6)Input Power

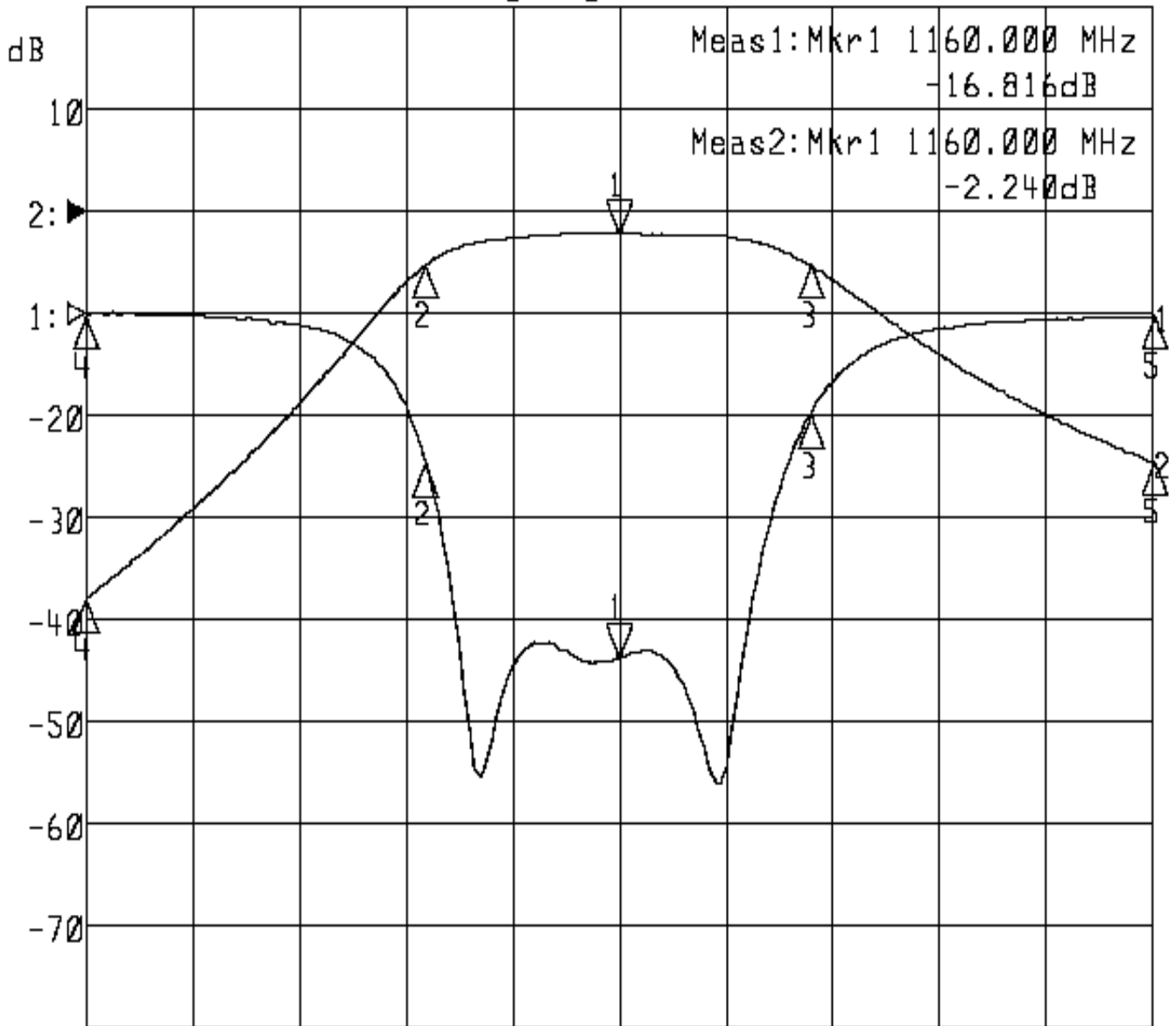
Approval		Supervisor		Designer		Aperture size	
C.Y.Chang		C.S.Chang		C.S.Chang		7H3S(4*7.5) 7H046LB6	

TEMWELL CORPORATION

Performance-TT67359A-1160M

2008092D

▶1:S11 Refl Port1 Log Mag 5.0 dB/ Ref 0.00 dB C
▶2:S21 Fwd Trans Log Mag 10.0 dB/ Ref 0.00 dB C



Center 1 160.000 MHz

Span 200.000 MHz

1:Mkr (MHz)	dB	2:Mkr (MHz)	dB
1> 1160.0000	-16.816	1> 1160.0000	-2.240
2: 1109.3200	-7.319	2: 1109.3200	-5.213
3: 1210.1200	-4.947	3: 1210.1200	-5.290
4: 1020.0000	-0.077	4: 1020.0000	-37.989
5: 1300.0000	-0.182	5: 1300.0000	-24.525