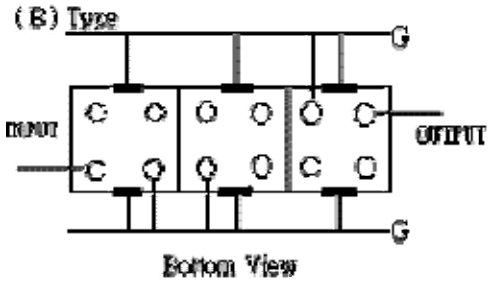
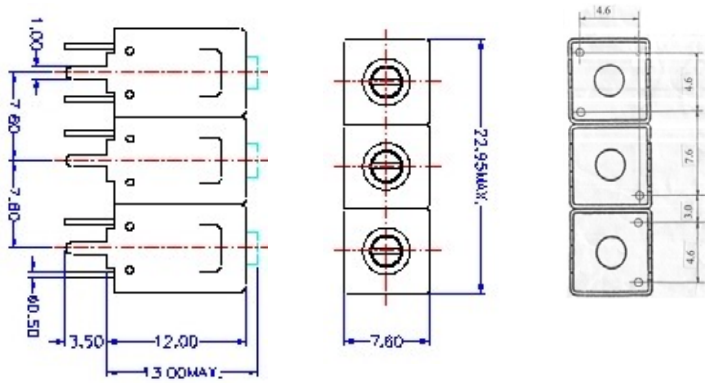


VHF UHF Helical Filter Specification Sheet

Customer Name		Temwell's Part No.	TT67362B-128.5M
Approval No. /dated	20210022B	Acceptable Specify Fo. Range	126~145MHz
Work Instruction No.	20210022B	Date	Oct.09.2002

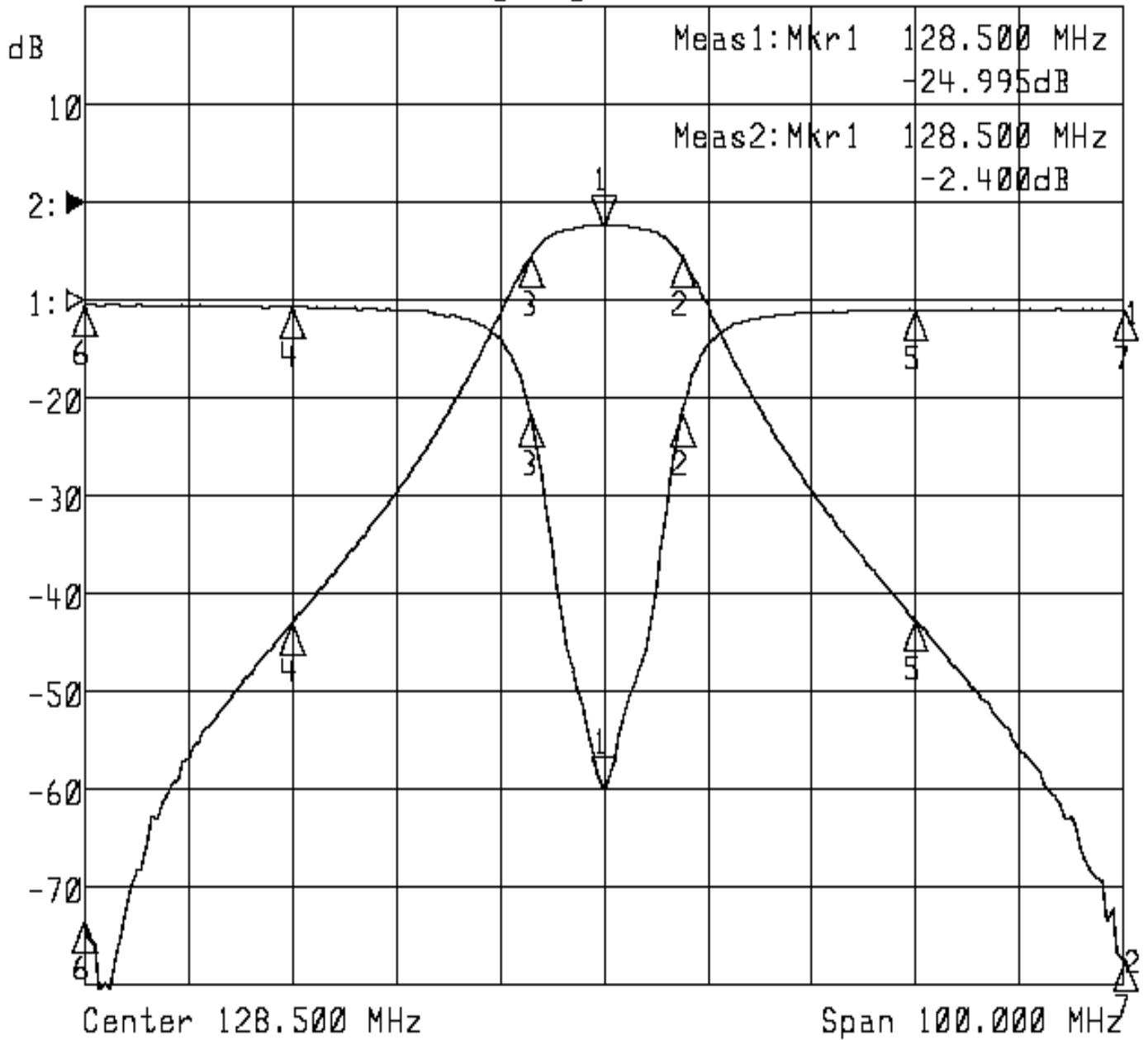
(1)Pin Position	(2)Size Diagram
 <p>(B) Type Bottom View</p>	

(3)Electric Character			
Item		Specify	Performance
Center Freq.(Fo) +/- 0.5 %		128.5 MHz	128.5 MHz
Tunable Range		128.5±2 MHz	128.5±2 MHz
Insertion Loss		Typ. 3.0 dB	2.4 dB
-3 dB Bandwidth		Typ. 14 MHz	15 MHz
Sensitivity (Attenuation)	Fo - 30 MHz	Typ. 38 dBc	41 dBc
	Fo + 30 MHz	Typ. 37 dBc	40 dBc
	Fo - (50)MHz	Typ. 68 dBc	71 dBc
	Fo +(50)MHz	Typ. 72 dBc	75 dBc
Return Loss		Min. 12 dB	25 dB
Ripple		< 1 dB	dB
Impedance		In / Out : 50 Ω	In / Out : 50 Ω
(4)Torque for Tuning Screw		> 100gf · cm	
(5)Temperature Condition:			
Operating Temperature		0°C ~ +60°C	
Storage Temperature		-20°C ~ +70°C	
(6)Input Power		> 1Watt	
Approval	Supervisor	Designer	Aperture size
C.Y.Chang	C.S.Chang	C.S.Chang	7H3S(4*6.5) 7H00LB6
TEMWELL CORPORATION			

Performance-TT67362B-128.5M

20210022B

▶1:S11 Refl Port1 Log Mag 5.0 dB/ Ref 0.00 dB C
▶2:S12 Rev Trans Log Mag 10.0 dB/ Ref 0.00 dB C



1: Mkr (MHz)	dB	2: Mkr (MHz)	dB
1> 128.5000	-24.995	1> 128.5000	-2.400
2: 136.0000	-5.854	2: 136.0000	-5.461
3: 121.5000	-5.908	3: 121.5000	-5.453
4: 98.5000	-0.371	4: 98.5000	-43.008
5: 158.5000	-0.520	5: 158.5000	-42.758
6: 78.5000	-0.251	6: 78.5000	-73.561
7: 178.5000	-0.535	7: 178.5000	-77.481