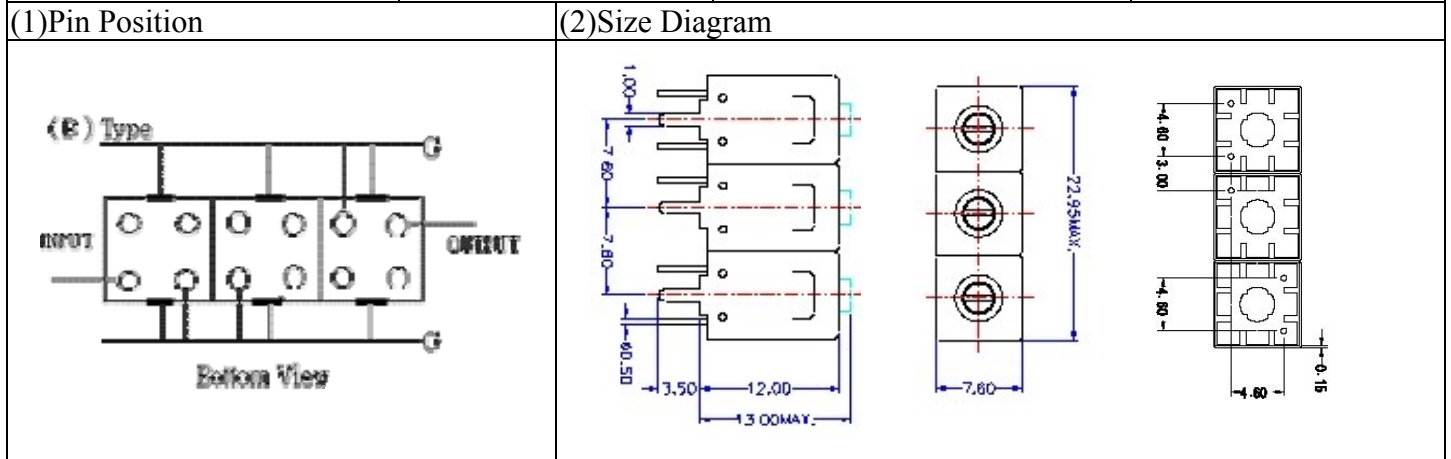


VHF UHF Helical Filter Specification Sheet

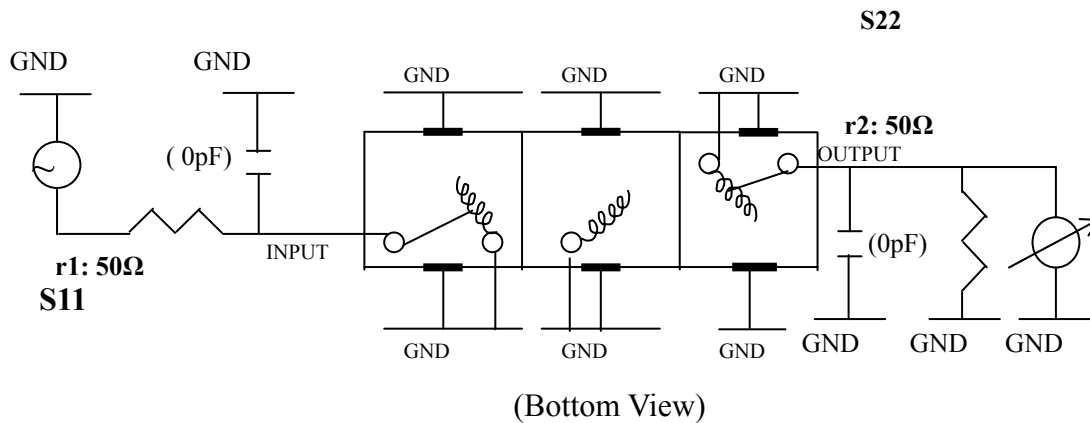
Customer Name		Temwell's Part No.	TT67377B-148M
Approval No. /dated	0806120BD	Customer's Print Name.	67377B 148M
Work Instruction No.	0806120BD	Date	Jul.22.2008



(3) Electric Characteristic			
Item		Specify	Performance
Center Freq.(Fo) +/- 0.5 %		148 MHz	148 MHz
Tunable Range:		148±5 MHz	148±5 MHz
Insertion Loss		Typ. 2.5 dB	1.10 dB
-3 dB Bandwidth		Typ. 26 MHz	27.0 MHz
Sensitivity (Attenuation)	Fo - 50 MHz	Typ. 43 dBc	47 dBc
	Fo + 50 MHz	Typ. 33 dBc	41 dBc
	Fo - ()MHz	Typ. dBc	dBc
	Fo +()MHz	Typ. dBc	dBc
Return Loss		Min. 12 dB	24.2 dB
Ripple		< 1 dB	dB
Impedance		In / Out : 50 Ω	In / Out : 50 Ω

(4) Torque for Tuning Screw	> 100gf • cm
(5) Temperature Condition:	
Operating Temperature	0°C ~ +60°C
Storage Temperature	-20°C ~ +70°C
(6) Input Power	> 1Watt

(7) Measuring Circuit: ※Easy to match Impedance S11/S22 50Ωby parallel with about(0pF) / (0pF).

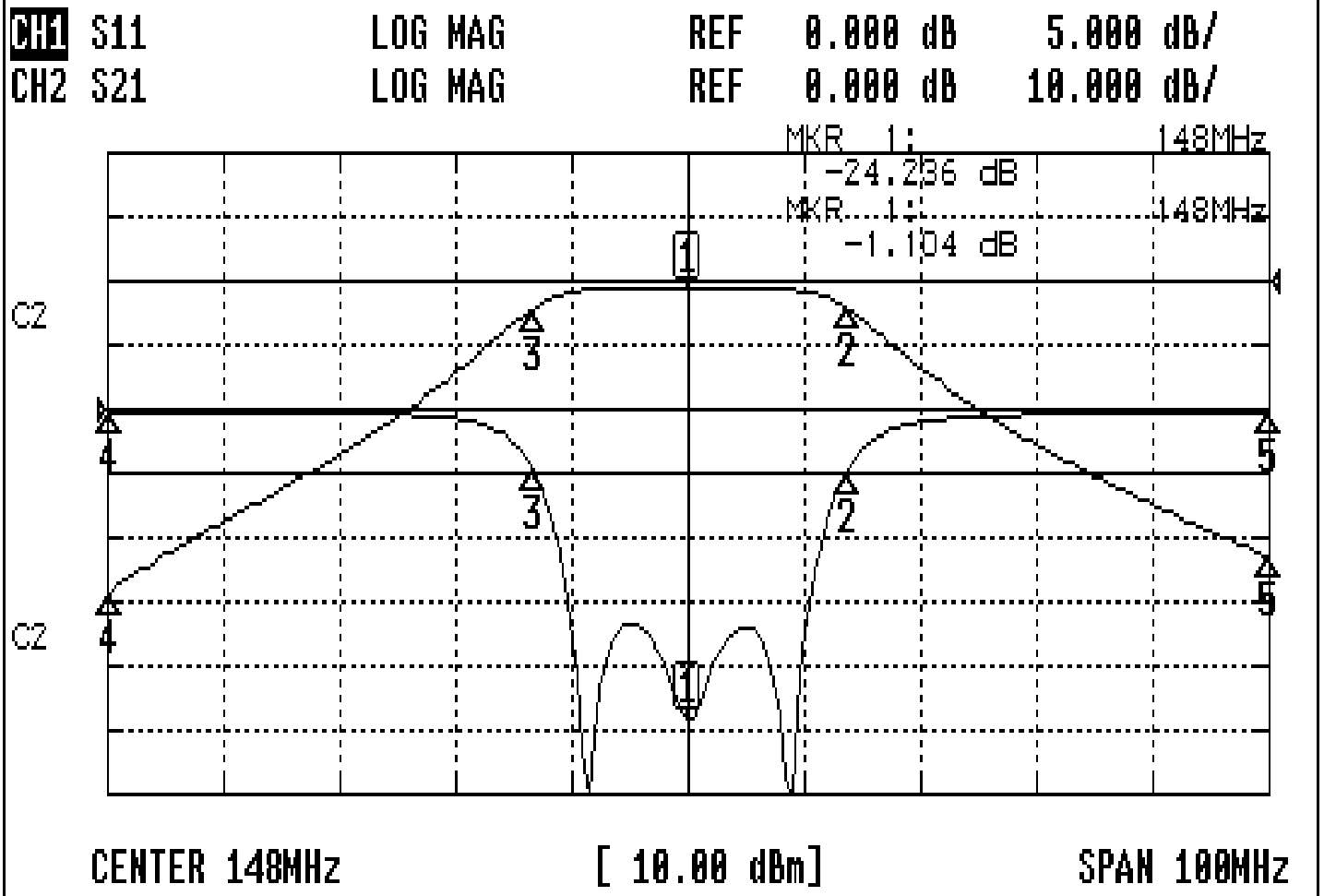


Approval C.Y.Chang	Supervisor C.S.Chang	Designer C.H.Yeh	Aperture size 7H3(4*5.5F) 7H024LB6.5
-----------------------	-------------------------	---------------------	--------------------------------------------

TEMWELL CORPORATION

Performance-TT67377B-148M

0806120BD



CH1 MARKER LIST

1	148.000MHz	-24.236 dB
2	161.666MHz	-4.000 dB
3	134.666MHz	-4.633 dB
4	98.000MHz	-0.100 dB
5	198.000MHz	-0.200 dB

CH2 MARKER LIST

1	148.000MHz	-1.104 dB
2	161.666MHz	-4.219 dB
3	134.666MHz	-4.236 dB
4	98.000MHz	-48.561 dB
5	198.000MHz	-43.063 dB