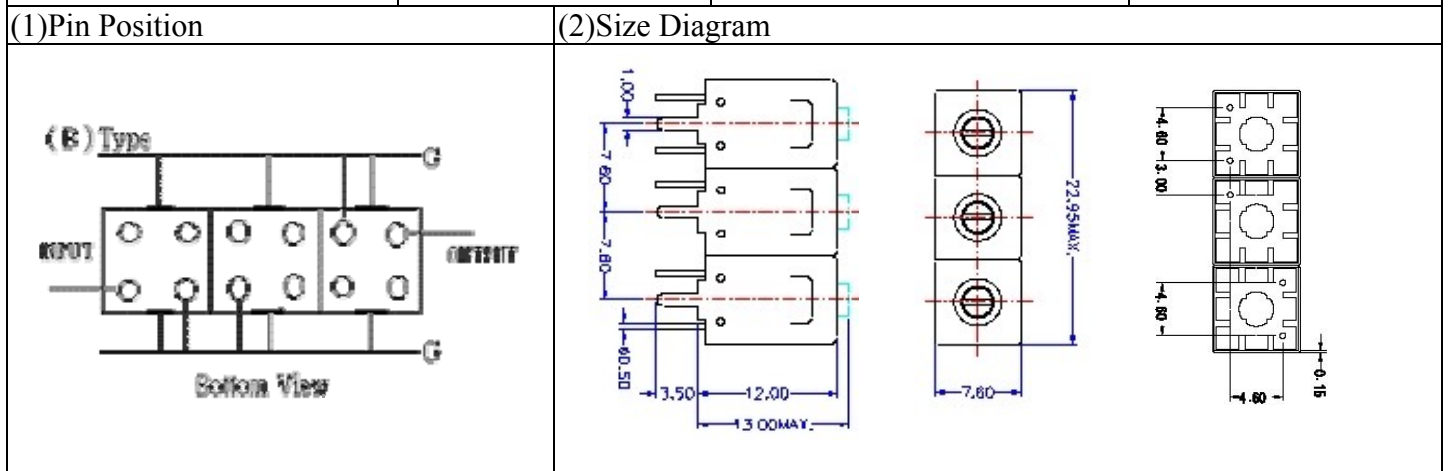


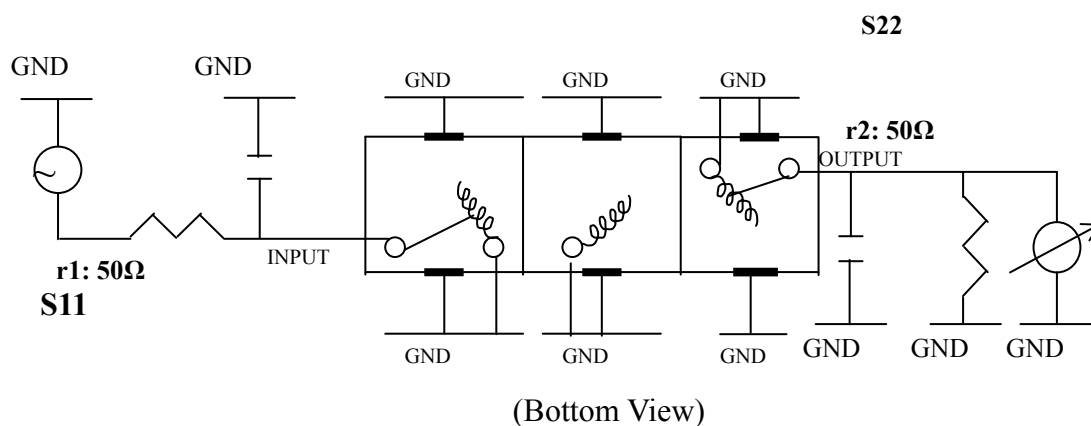
VHF UHF Helical Filter Specification Sheet

Customer Name		Temwell's Part No.	TT67379B1-162M
Approval No. /dated	201006051CD	Temwell's Print name.	67379B1 165M
Work Instruction No.	201006051CD	Date	June.21.2010



(3) Electric Characteristic					
Item		Specify		Performance	
Center Freq.(Fo) +/- 0.5 %		162 MHz		162 MHz	
Insertion Loss		Typ. 2.5 dB		1.06 dB	
-3 dB Bandwidth		Typ. 19 MHz		21.2 MHz	
Sensitivity (Attenuation)	Fo - 50 MHz	Typ. 53 dBc		55 dBc	
	Fo + 50 MHz	Typ. 40 dBc		44 dBc	
	Fo - ()MHz	Typ. dBc		dBc	
	Fo +()MHz	Typ. dBc		dBc	
Return Loss		Min. 12 dB		24.4 dB	
Ripple		< 1 dB		dB	
Impedance		In / Out : 50 Ω		In / Out : 50 Ω	
(4) Torque for Tuning Screw		> 100gf • cm			
(5) Temperature Condition:					
Operating Temperature		0°C ~ +60°C			
Storage Temperature		-20°C ~ +70°C			
(6) Input Power		> 1Watt			

(7) Measuring Circuit: ※Easy to match Impedance S11/S22 50Ω by parallel with about(-) / (-).



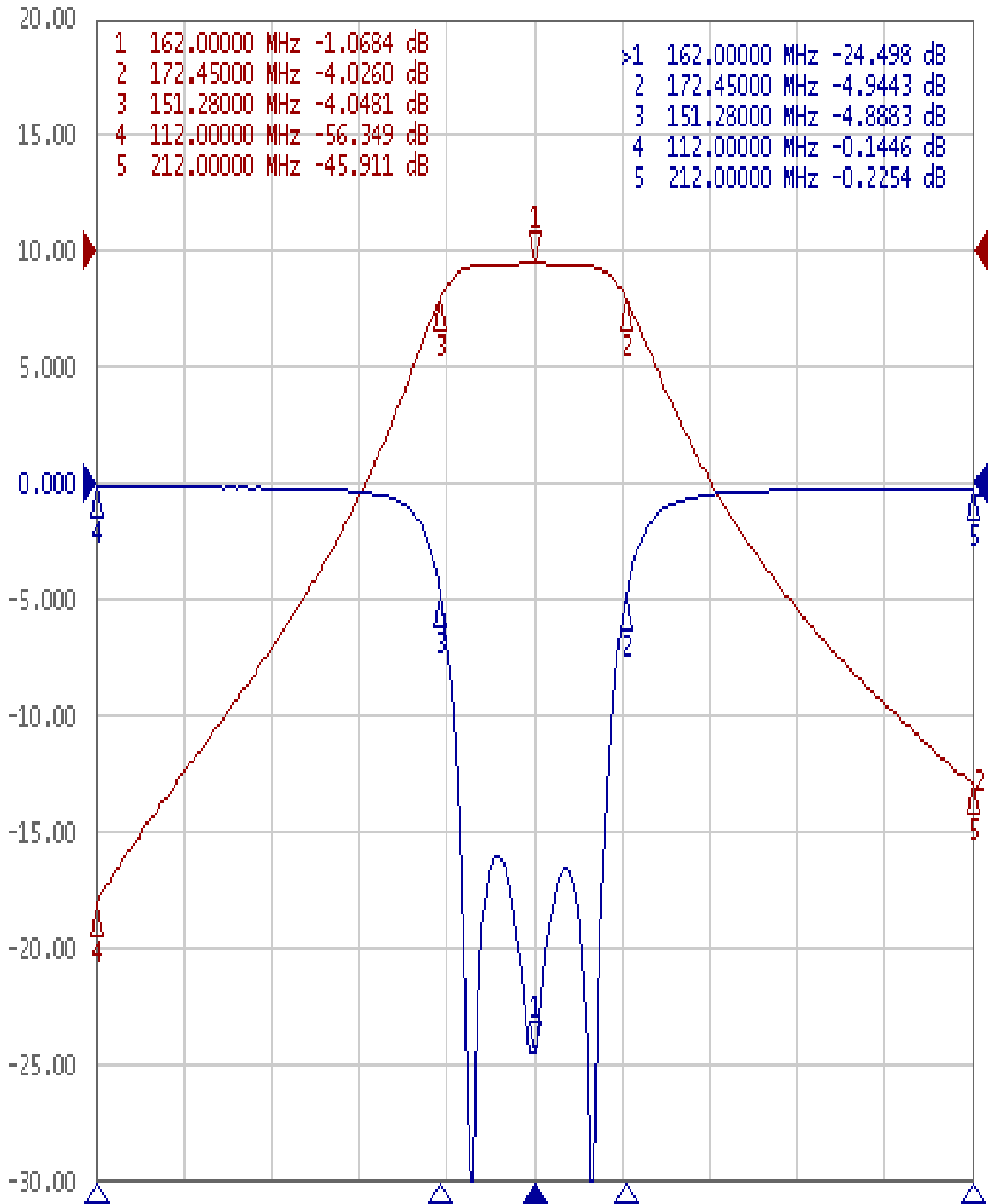
Approval	Supervisor	Designer	Aperture size
C.Y.Chang	C.K.Chang	P.H.Chiang	7H3S(4*7.5RM)(7.58) (7H24LB4)(7H046LB6.5)
TEMWELL CORPORATION			

Performance-TT67379B1-162M

201006051CD

Tr1 S11 Log Mag 5.000dB/ Ref 0.000dB [F2]

Tr2 S21 Log Mag 10.00dB/ Ref 0.000dB [F2]



1 Center 162 MHz

IFBW 70 kHz

Span 100 MHz Cor !