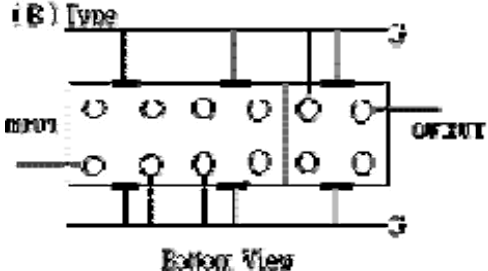
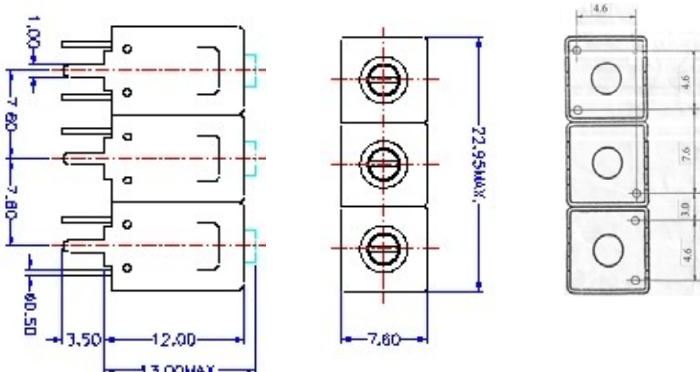


VHF UHF Helical Filter Specification Sheet

Customer Name		Temwell's Part No.	TT67389B-162M
Approval No. /dated	2008146DC	Acceptable Specify Fo. Range	146~165MHz
Work Instruction No.	2008146DC	Date	Sep.05.2000

(1)Pin Position	(2)Size Diagram
 <p style="text-align: center;">Bottom View</p>	

(3)Electric Character

Item	Specify	Performance	
Center Freq.(Fo) +/- 0.5 %	162 MHz	162 MHz	
Tunable Range	162±2 MHz	162±2 MHz	
Insertion Loss	Typ. 3.0 dB	2.0 dB	
-3 dB Bandwidth	Typ. 24 MHz	25 MHz	
Sensitivity (Attenuation)	Fo - 50 MHz	Typ. 41 dBc	44 dBc
	Fo + 50 MHz	Typ. 30 dBc	33 dBc
	Fo - ()MHz	Typ. dBc	dBc
	Fo +()MHz	Typ. dBc	dBc
Return Loss	Min. 12 dB	24 dB	
Ripple	< 1 dB	dB	
Impedance	In / Out : 50 Ω	In / Out : 50 Ω	

(4)Torque for Tuning Screw	> 100gf • cm
----------------------------	--------------

(5)Temperature Condition:

Operating Temperature	0°C ~ +60°C
Storage Temperature	-20°C ~ +70°C

(6)Input Power	> 1Watt
----------------	---------

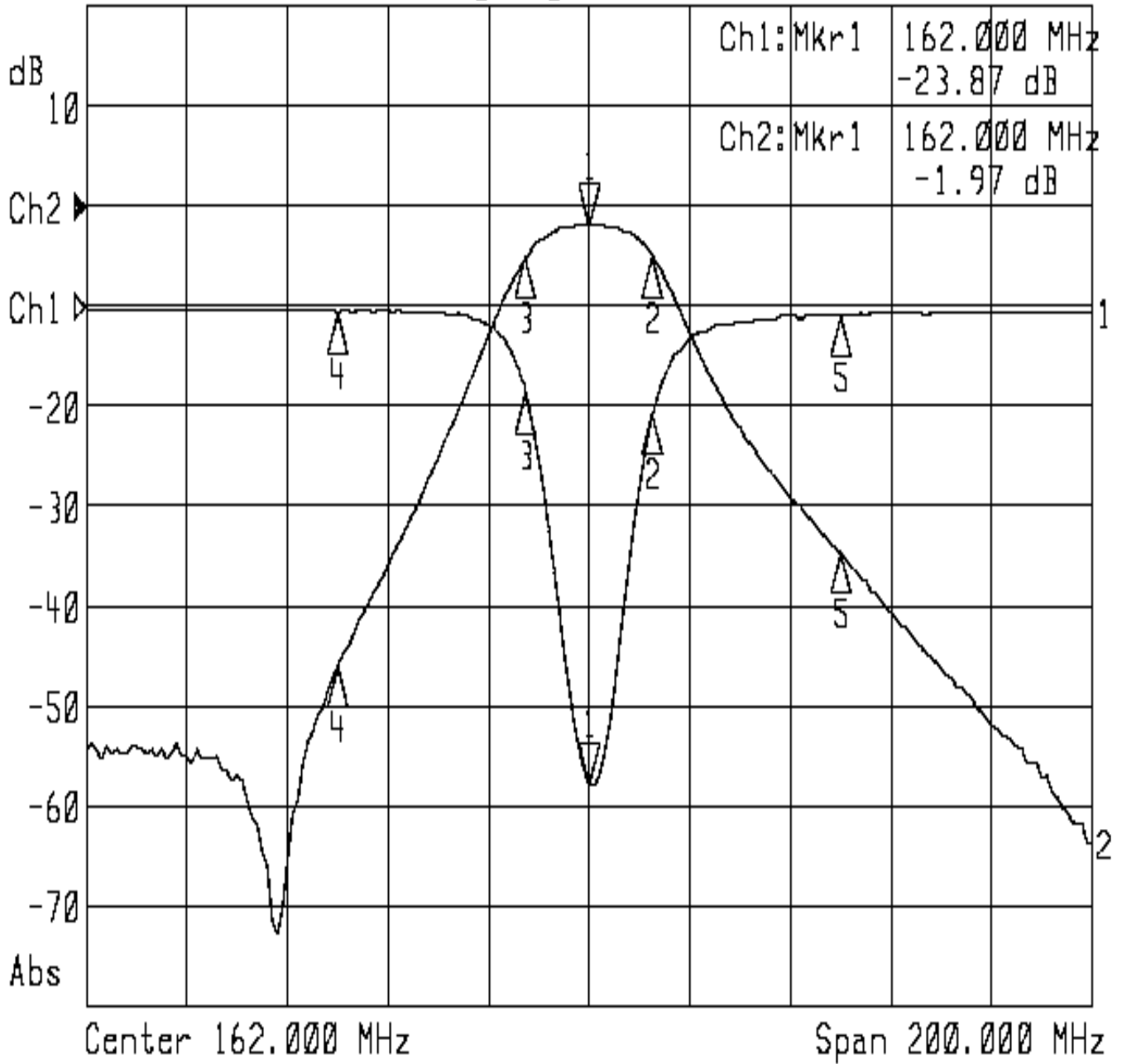
Approval	Supervisor	Designer	Aperture size
C.Y.Chang	C.S.Chang	C.S.Chang	7H3S(4*6.5) 7H00LB6

TEMWELL CORPORATION

Performance-TT67389B-162M

2008146DC

▶1: Reflection Log Mag 5.0 dB/ Ref 0.00 dB C
▶2: Transmission Log Mag 10.0 dB/ Ref 0.00 dB C



1: Mkr (MHz)	dB	2: Mkr (MHz)	dB
1> 162.00	-23.87	1> 162.00	-1.97
2: 174.64	-5.36	2: 174.64	-4.91
3: 149.44	-4.41	3: 149.44	-4.95
4: 112.00	-0.25	4: 112.00	-45.97
5: 212.00	-0.44	5: 212.00	-34.69