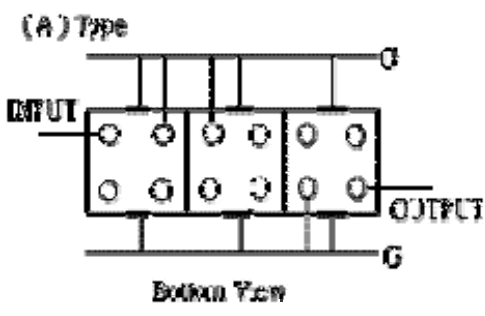
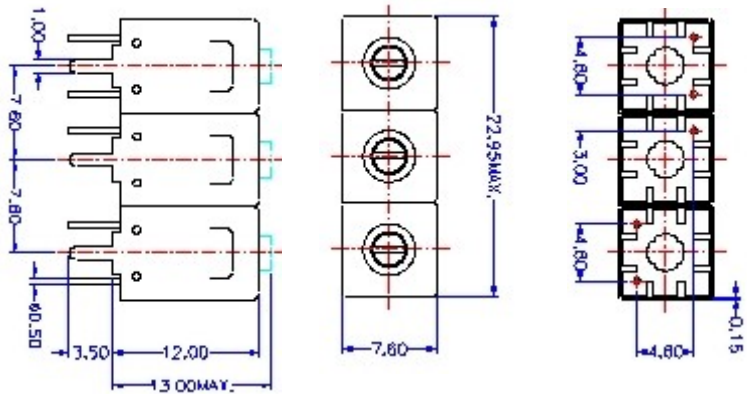


# VHF UHF Helical Filter Specification Sheet

Customer Name		Temwell's Part No.	TT67400A-1060M
Approval No. /dated	2009022DC	Acceptable Specify Fo. Range	1001~1100MHz
Work Instruction No.	2009022DC	Date	Sep.11.2000

(1)Pin Position	(2)Size Diagram
 <p>(A) Type Bottom View</p>	

### (3)Electric Character

Item	Specify	Performance	
Center Freq.(Fo ) +/- 0.5 %	1060 MHz	1060 MHz	
Tunable Range	1060±10 MHz	1060±10 MHz	
Insertion Loss	Typ. 4.0 dB	2.7 dB	
-3 dB Bandwidth	Typ. 25 MHz	30 MHz	
Sensitivity (Attenuation)	Fo - 100 MHz	Typ. 54 dBc	57 dBc
	Fo + 100 MHz	Typ. 43 dBc	46 dBc
	Fo - ( )MHz	Typ. dBc	dBc
	Fo +( )MHz	Typ. dBc	dBc
Return Loss	Min. 12 dB	21.7 dB	
Ripple	< 1 dB	dB	
Impedance	In / Out : 50 Ω	In / Out : 50 Ω	
(4)Torque for Tuning Screw	> 100gf • cm		

### (5)Temperature Condition:

Operating Temperature	0°C ~ +60°C
Storage Temperature	-20°C ~ +70°C

### (6)Input Power

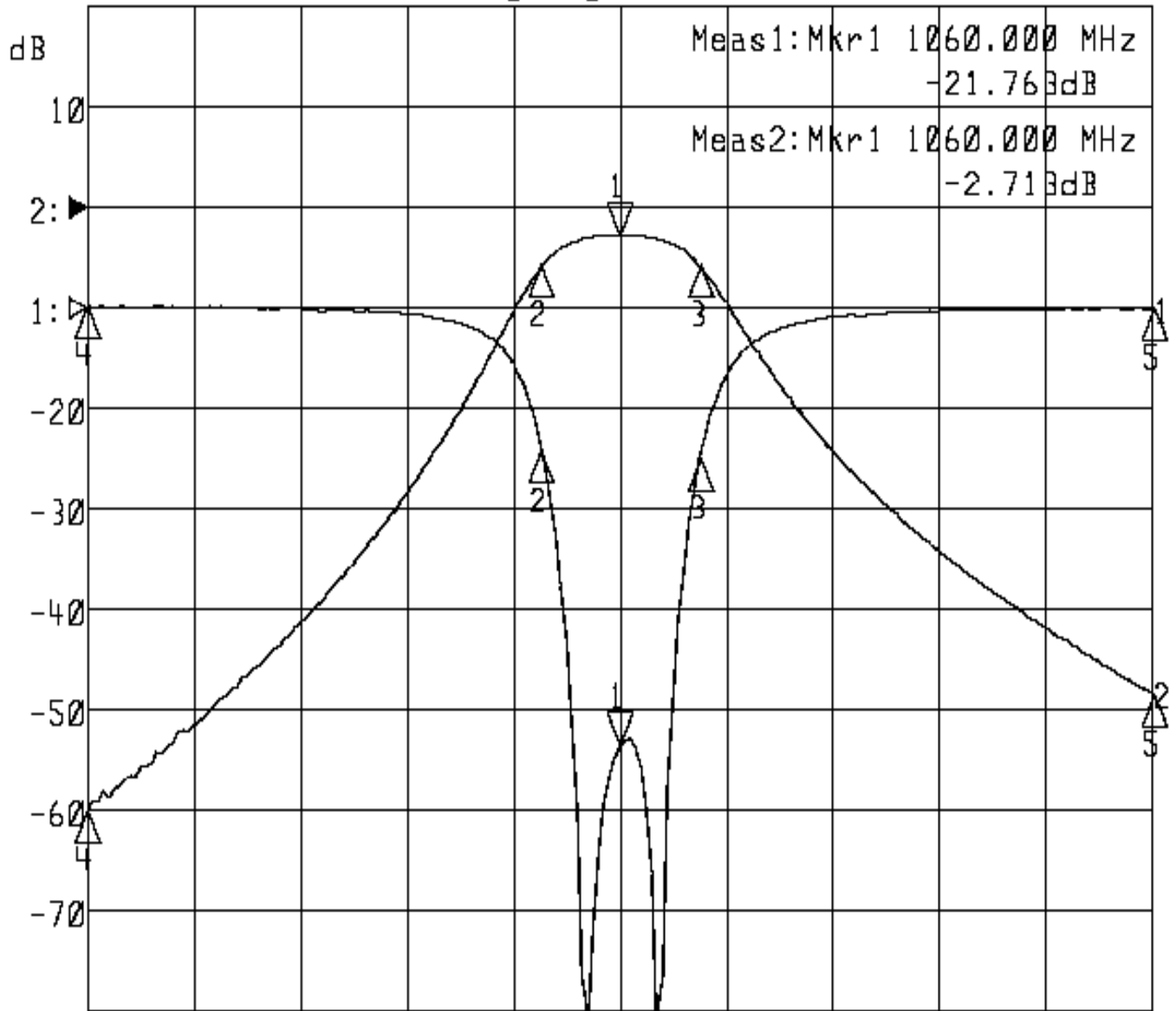
		> 1Watt	
Approval	Supervisor	Designer	Aperture size
C.Y.Chang	C.S.Chang	C.S.Chang	7H3S(4*6.5) 7H046LB4 聚 3

TEMWELL CORPORATION

# Performance-TT67400A-1060M

## 2009022DC

▷1:S11 Refl Port1 Log Mag 5.0 dB/ Ref 0.00 dB C  
▶2:S21 Fwd Trans Log Mag 10.0 dB/ Ref 0.00 dB C



Center 1 060.000 MHz

Span 200.000 MHz

1: Mkr (MHz)	dB	2: Mkr (MHz)	dB
1> 1060.0000	-21.763	1> 1060.0000	-2.713
2: 1045.4000	-7.099	2: 1045.4000	-5.827
3: 1075.0000	-7.491	3: 1075.0000	-5.767
4: 960.0000	0.162	4: 960.0000	-59.924
5: 1160.0000	-0.017	5: 1160.0000	-48.522