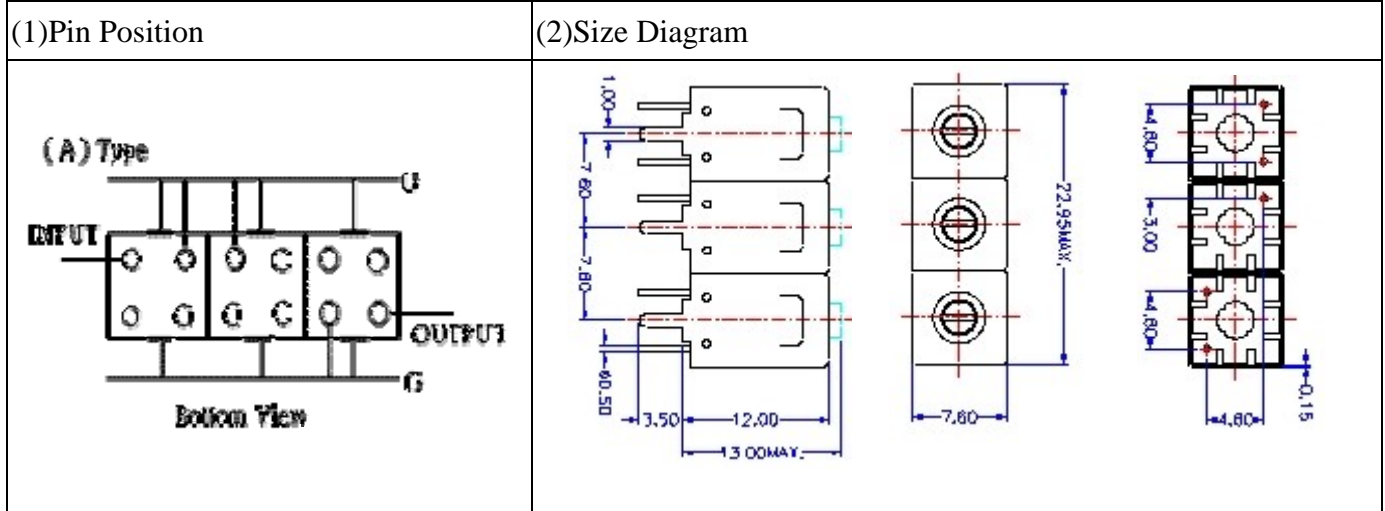


VHF UHF Helical Filter Specification Sheet

Customer Name		Temwell's Part No.	TT67401A-1040M
Approval No. /dated	2009024DC	Acceptable Specify Fo. Range	1001~1100MHz
Work Instruction No.	2009024DC	Date	



(3) Electric Character

Item	Specify	Performance
Center Freq.(Fo) +/- 0.5 %	1040 MHz	1040 MHz
Tunable Range	1040±5 MHz	1040±5 MHz
Insertion Loss	Typ. 3.0 dB	2.1 dB
-3 dB Bandwidth	Typ. 32 MHz	38 MHz
Sensitivity (Attenuation)	Fo -100 MHz	Typ. 45 dBc
	Fo +100 MHz	Typ. 32 dBc
	Fo - ()MHz	Typ. dBc
	Fo +()MHz	Typ. dBc
Return Loss	Min. 12 dB	20.9 dB
Ripple	< 1 dB	dB
Impedance	In / Out : 50 Ω	In / Out : 50 Ω
(4) Torque for Tuning Screw	> 100gf · cm	

(5) Temperature Condition:

Operating Temperature	0°C ~ +60°C
Storage Temperature	-20°C ~ +70°C

(6) Input Power

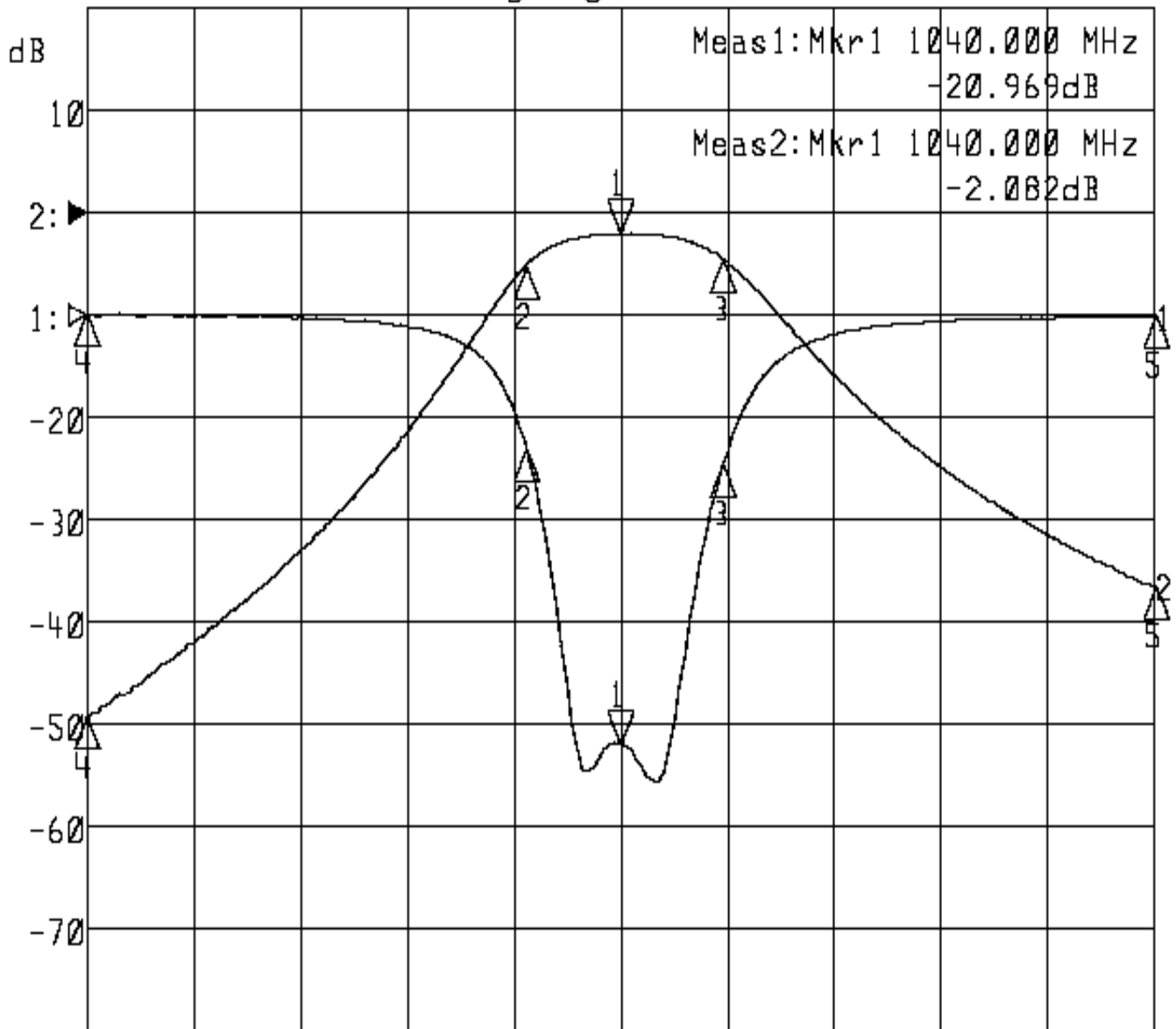
Approval	Supervisor	Designer	Aperture size
C.Y.Chang	C.S.Chang	C.S.Chang	7H3S(4*6.5)F 7H046LB4 聚 3

TEMWELL CORPORATION

Performance-TT67401A-1040M

2009024DC

►1:S11 Refl Port1 Log Mag 5.0 dB/ Ref 0.00 dB C
►2:S21 Fwd Trans Log Mag 10.0 dB/ Ref 0.00 dB C



Center 1 040.000 MHz

Span 200.000 MHz

1: Mkr (MHz)	dB	2: Mkr (MHz)	dB
1> 1040.0000	-20.969	1> 1040.0000	-2.082
2: 1022.3333	-6.439	2: 1022.3333	-5.135
3: 1059.3333	-7.209	3: 1059.3333	-4.560
4: 940.0000	0.086	4: 940.0000	-49.278
5: 1140.0000	-0.048	5: 1140.0000	-36.491