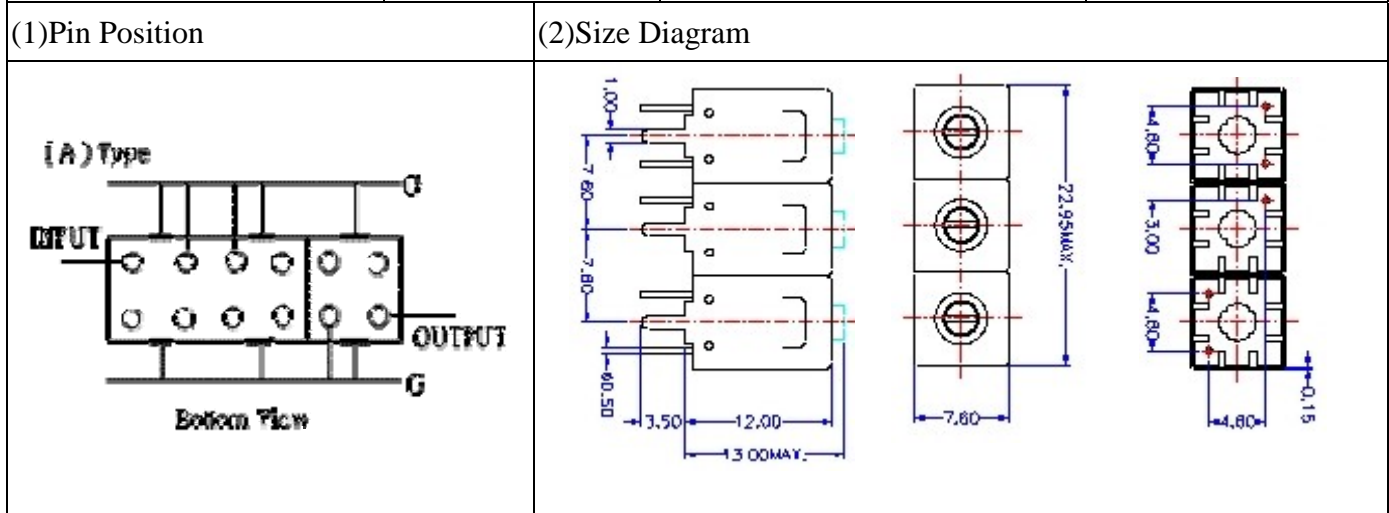


VHF UHF Helical Filter Specification Sheet

Customer Name		Temwell's Part No.	TT67402A-1180M
Approval No. /dated	2009026DC	Acceptable Specify Fo. Range	1101~1180MHz
Work Instruction No.	2009026DC	Date	



(3) Electric Character

Item	Specify	Performance	
Center Freq.(Fo) +/- 0.5 %	1180 MHz	1180 MHz	
Tunable Range	1180±10 MHz	1180±10 MHz	
Insertion Loss	Typ. 7.0 dB	6.0 dB	
-3 dB Bandwidth	Typ. 10 MHz	16 MHz	
Sensitivity (Attenuation)	Fo -50 MHz	Typ. 39 dBc	41 dBc
	Fo +50 MHz	Typ. 30 dBc	32 dBc
	Fo - ()MHz	Typ. dBc	dBc
	Fo +()MHz	Typ. dBc	dBc
Return Loss	Min. 12 dB	17.9 dB	
Ripple	< 1 dB	dB	
Impedance	In / Out : 50 Ω	In / Out : 50 Ω	

(4) Torque for Tuning Screw > 100gf · cm

(5) Temperature Condition:

Operating Temperature	0°C ~ +60°C
Storage Temperature	-20°C ~ +70°C

(6) Input Power > 1Watt

Approval	Supervisor	Designer	Aperture size
C.Y.Chang	C.S.Chang	C.S.Chang	7H3S(4*6.5)F 7H046LB4

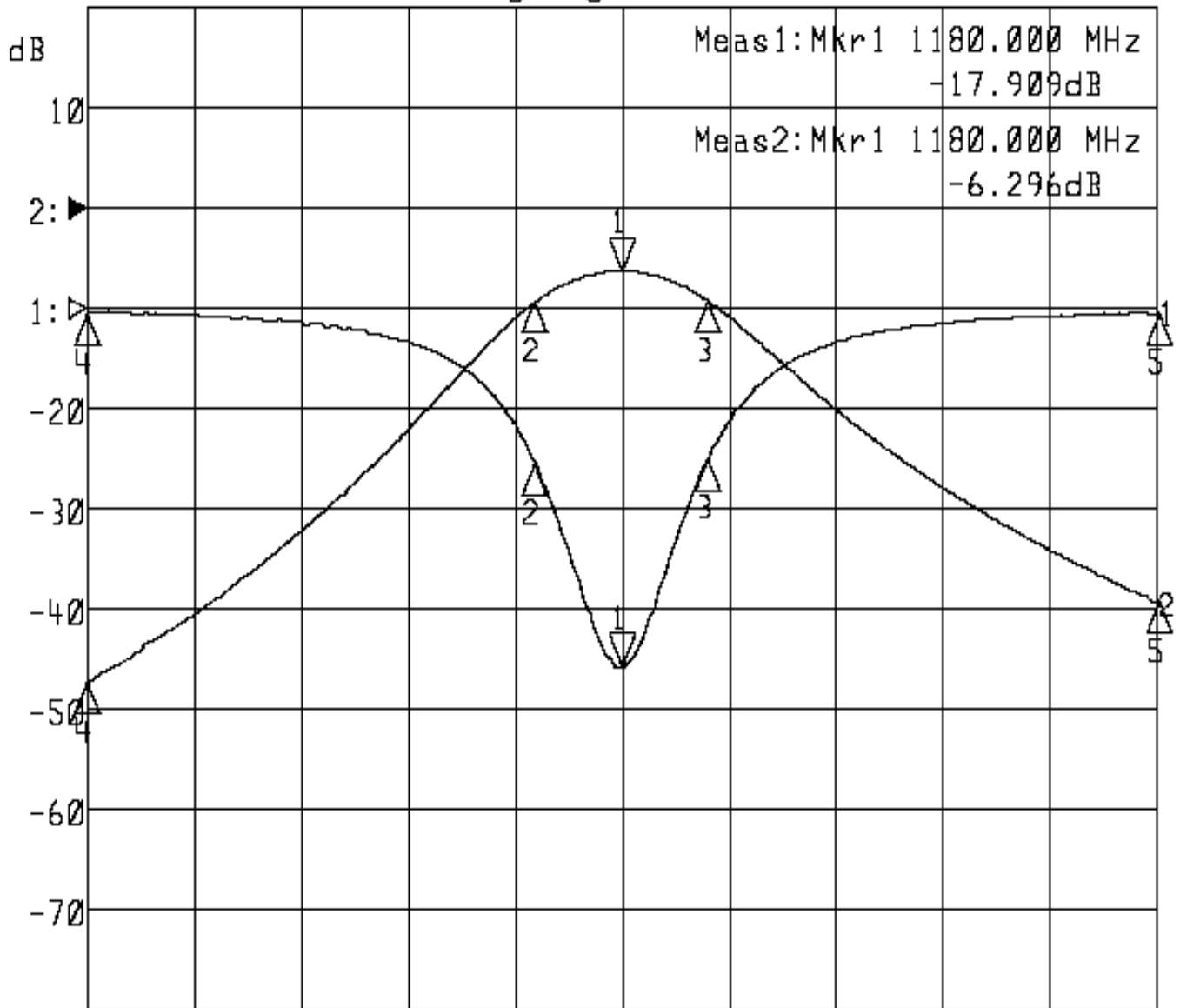
TEMWELL CORPORATION

Performance-TT67402A-1180M

2009026DC

▶1:S11 Refl Port1 Log Mag 5.0 dB/ Ref 0.00 dB C

▶2:S21 Fwd Trans Log Mag 10.0 dB/ Ref 0.00 dB C



Center 1 180.000 MHz

Span 100.000 MHz

1: Mkr (MHz)	dB	2: Mkr (MHz)	dB
1 > 1180.0000	-17.909	1 > 1180.0000	-6.296
2: 1171.9000	-7.721	2: 1171.9000	-9.356
3: 1188.0333	-7.512	3: 1188.0333	-9.258
4: 1130.0000	-0.226	4: 1130.0000	-47.317
5: 1230.0000	-0.249	5: 1230.0000	-39.326