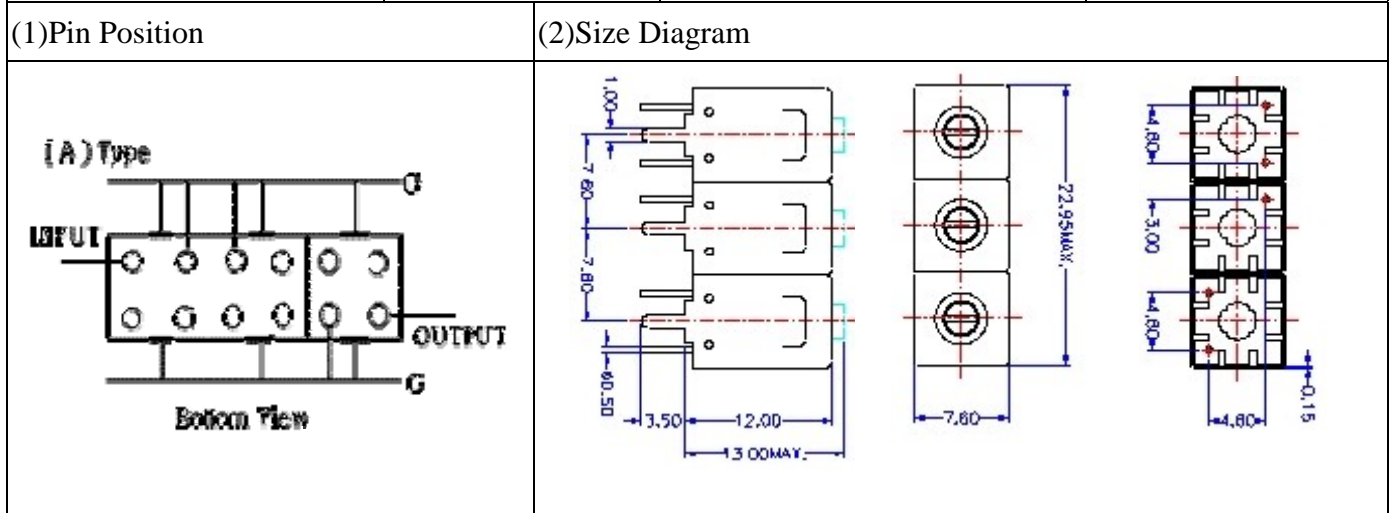


VHF UHF Helical Filter Specification Sheet

Customer Name		Temwell's Part No.	TT67404A-1160M
Approval No. /dated	2009028DC	Acceptable Specify Fo. Range	1101~1180MHz
Work Instruction No.	2009028DC	Date	



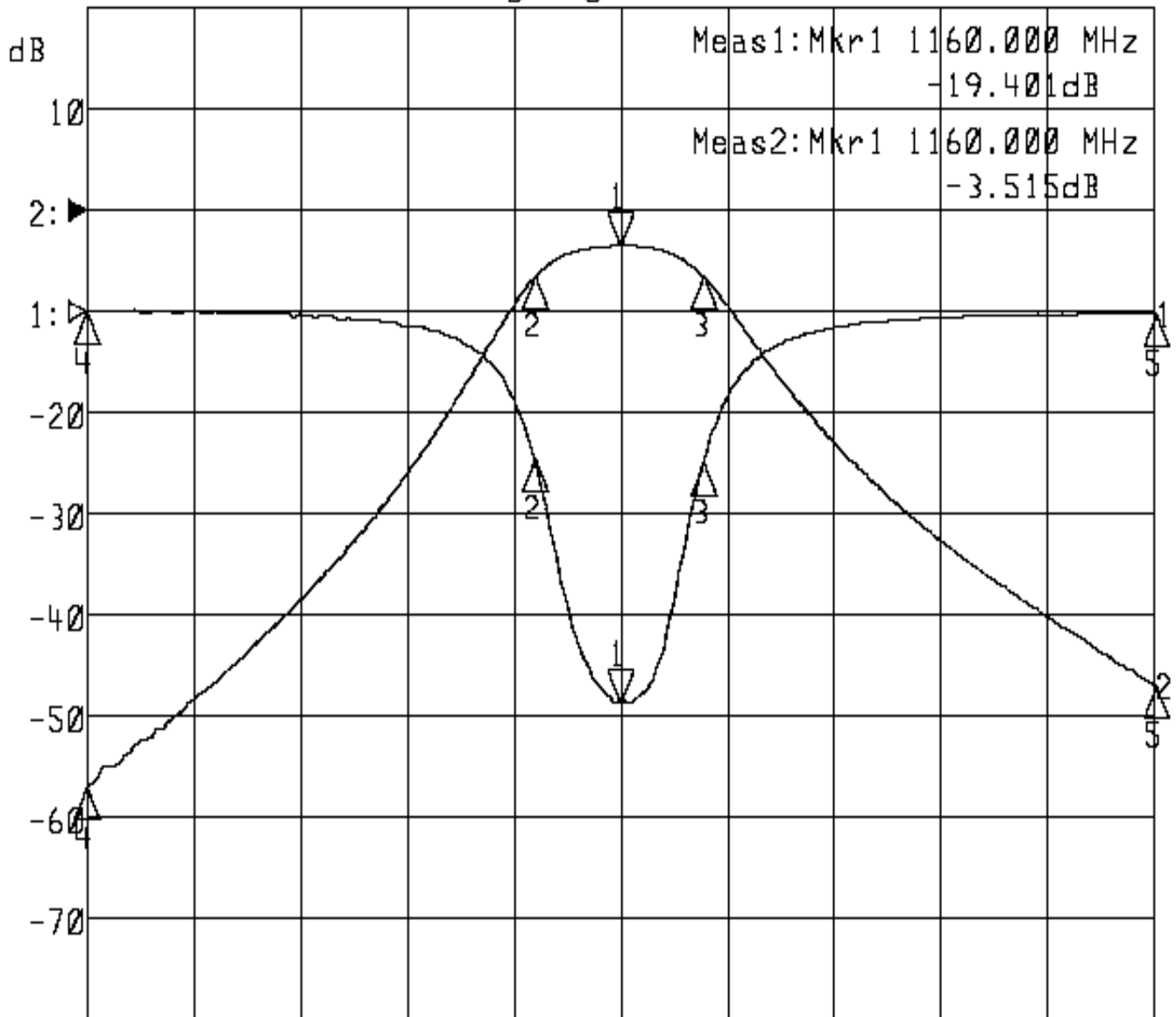
(3) Electric Character			
Item	Specify	Performance	
Center Freq.(Fo) +/- 0.5 %	1160 MHz	1160 MHz	
Tunable Range	1160±10 MHz	1160±10 MHz	
Insertion Loss	Typ. 4.5 dB	3.5 dB	
-3 dB Bandwidth	Typ. 25 MHz	31 MHz	
Sensitivity (Attenuation)	Fo -100 MHz	Typ. 52 dBc	54 dBc
	Fo +100 MHz	Typ. 42 dBc	44 dBc
	Fo - ()MHz	Typ. dBc	dBc
	Fo +()MHz	Typ. dBc	dBc
Return Loss	Min. 12 dB	19.4 dB	
Ripple	< 1 dB	dB	
Impedance	In / Out : 50 Ω	In / Out : 50 Ω	
(4) Torque for Tuning Screw		> 100gf • cm	
(5) Temperature Condition:			
Operating Temperature		0°C ~ +60°C	
Storage Temperature		-20°C ~ +70°C	
(6) Input Power		> 1Watt	
Approval	Supervisor	Designer	Aperture size
C.Y.Chang	C.S.Chang	C.S.Chang	7H3S(4*6.5)F 7H046LB4

TEMWELL CORPORATION

Performance-TT67404A-1160M

2009028DC

▶1:S11 Refl Port1 Log Mag 5.0 dB/ Ref 0.00 dB C
▶2:S21 Fwd Trans Log Mag 10.0 dB/ Ref 0.00 dB C



Center 1 160.000 MHz

Span 200.000 MHz

1: Mkr (MHz)	dB	2: Mkr (MHz)	dB
1> 1160.0000	-19.401	1> 1160.0000	-3.515
2: 1143.9333	-7.287	2: 1143.9333	-6.591
3: 1175.4667	-7.506	3: 1175.4667	-6.523
4: 1060.0000	0.047	4: 1060.0000	-56.961
5: 1260.0000	-0.129	5: 1260.0000	-46.943