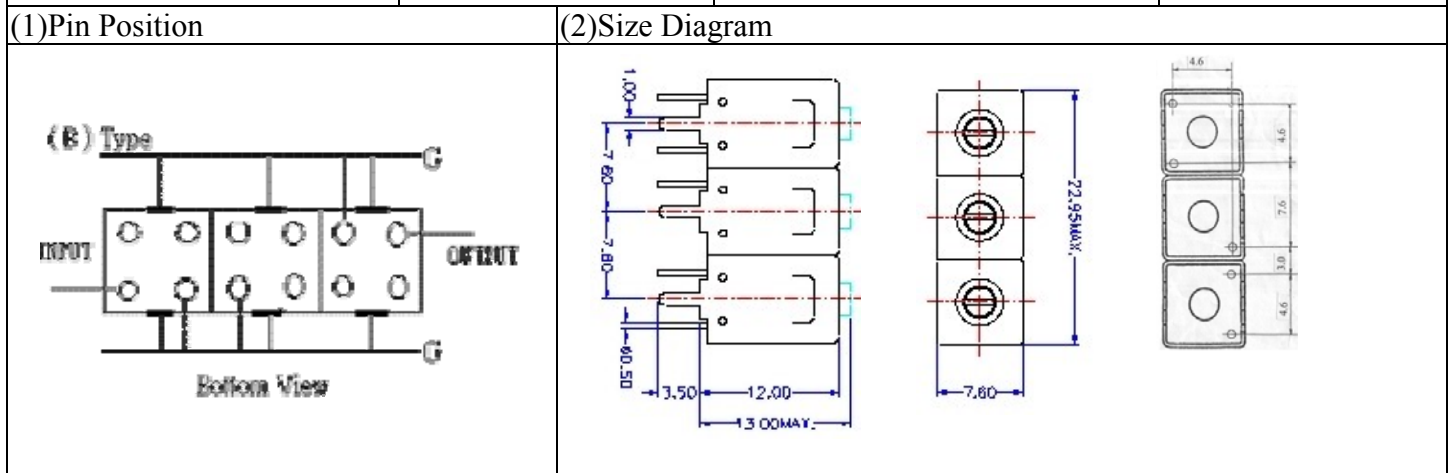


VHF UHF Helical Filter Specification Sheet

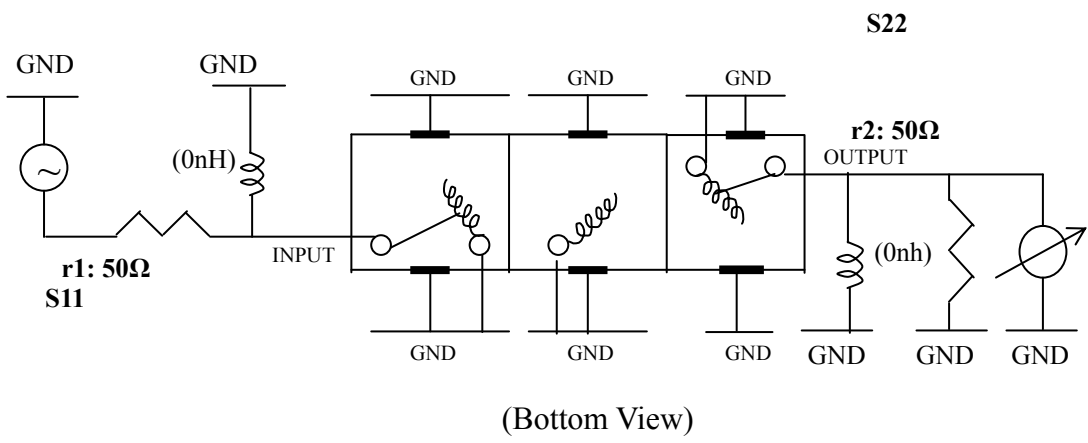
Customer Name		Temwell's Part No.	TT67409B1-455M
Approval No. /dated	20303005B	Acceptable Specify Fo Range	401~455MHz
Work Instruction No.	20506059B	Date	Jul.08.2005



(3) Electric Characteristic			
Item		Specify	Performance
Center Freq.(Fo) +/- 0.5 %		455 MHz	455 MHz
Tunable Range:		455±3 MHz	455±3 MHz
Insertion Loss		Typ. 2.0 dB	0.76 dB
-3 dB Bandwidth		Typ. 60 MHz	64 MHz
Sensitivity (Attenuation)	Fo - 100 MHz	Typ. 37 dBc	38 dBc
	Fo + 100 MHz	Typ. 25 dBc	26 dBc
	Fo - ()MHz	Typ. dBc	dBc
	Fo +()MHz	Typ. dBc	dBc
Return Loss		Min. 12 dB	36.6 dB
Ripple		< 1 dB	dB
Impedance		In / Out : 50 Ω	In / Out : 50 Ω

(4) Torque for Tuning Screw		> 60gf • cm
(5) Temperature Condition:		
Operating Temperature	0°C ~ +60°C	
Storage Temperature	-20°C ~ +70°C	
(6) Input Power	> 1Watt	

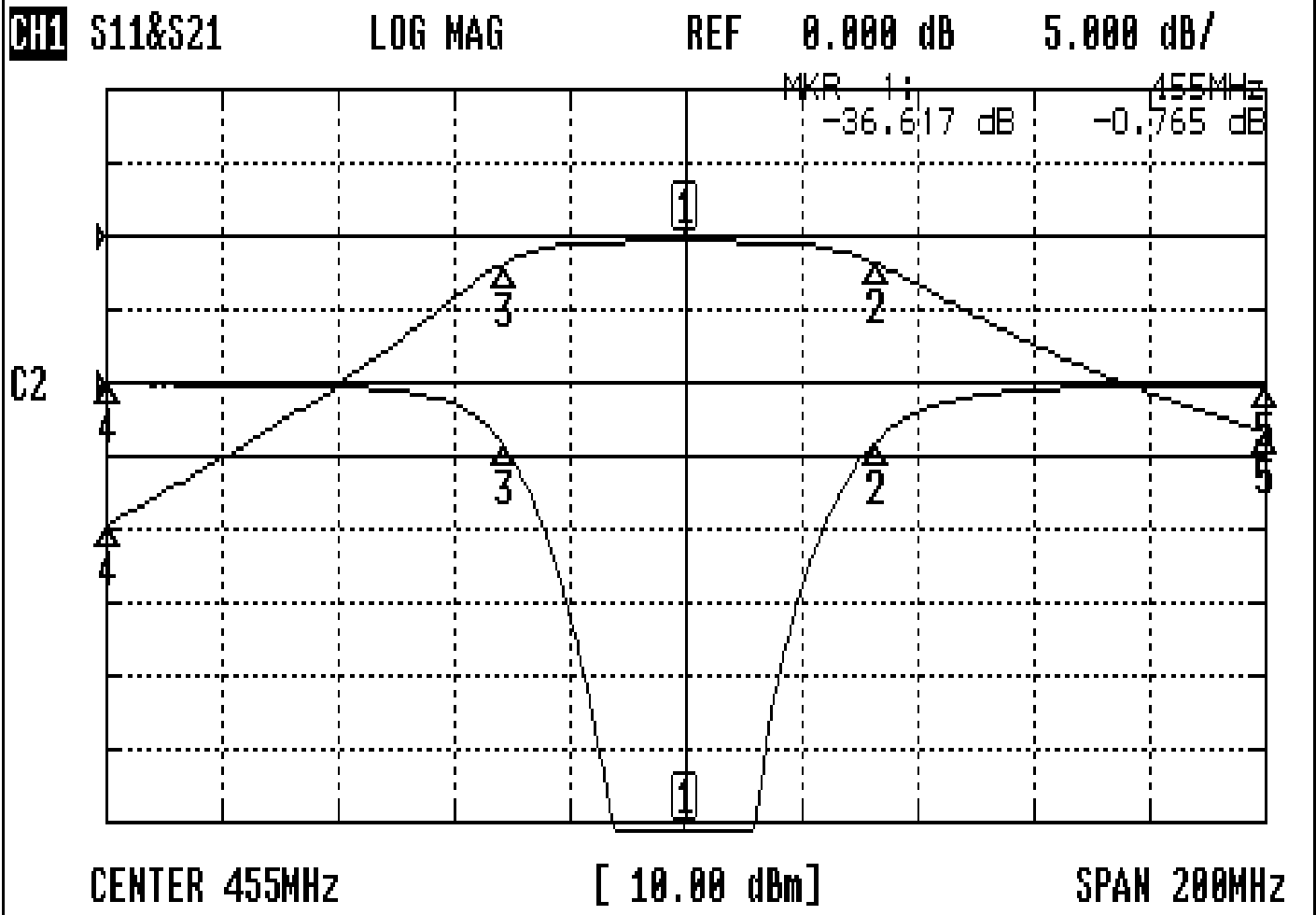
(7) Measuring Circuit: ※Easy to match Impedance S11/S22 50Ω by parallel with about(0 nH) / (0nH).



Approval	Supervisor	Designer	Aperture size
C.Y. Chang	C.S. Chang	C.S. Chang	7H3(4*7.5F) 7H046LB5.5

Performance-TT67409B1-455M

20506059B



CH1 MARKER LIST

1:	455.000MHz	-36.617 dB	-0.765 dB
2:	487.833MHz	-4.829 dB	-3.778 dB
3:	423.500MHz	-4.169 dB	-3.758 dB
4:	355.000MHz	-0.127 dB	-39.477 dB
5:	555.000MHz	-0.156 dB	-26.627 dB
6:			
7:			
8:			
9:			
10:			