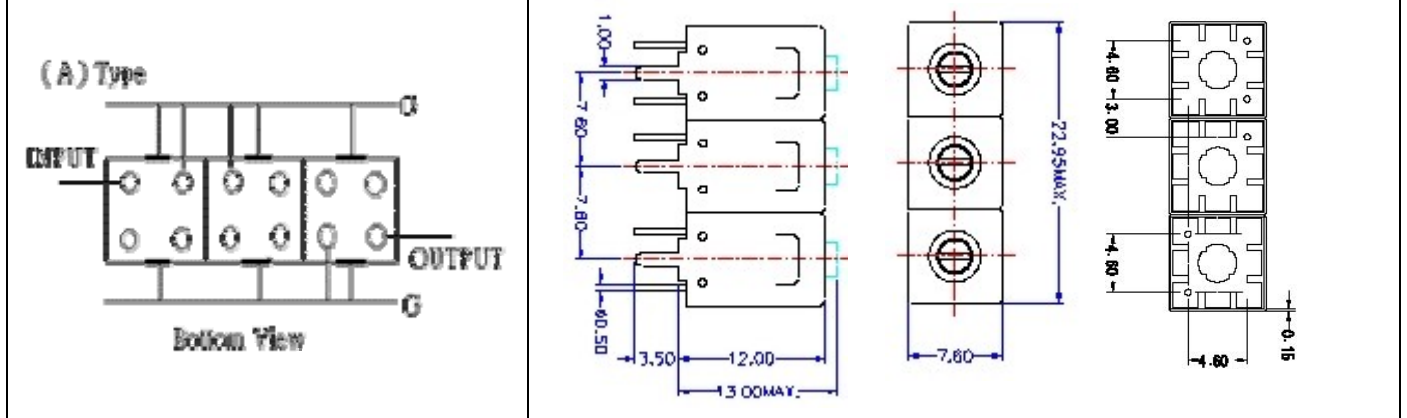


VHF UHF Helical Filter Specification Sheet

Customer Name		Temwell's Part No.	TT67414A-918.5M
Approval No. /dated	2008177DC	Acceptable Specify Fo Range	901~930MHz
Work Instruction No.	2008177DC	Date	Apr.10.2008

(1)Pin Position (2)Size Diagram



(3)Electric Charasteric

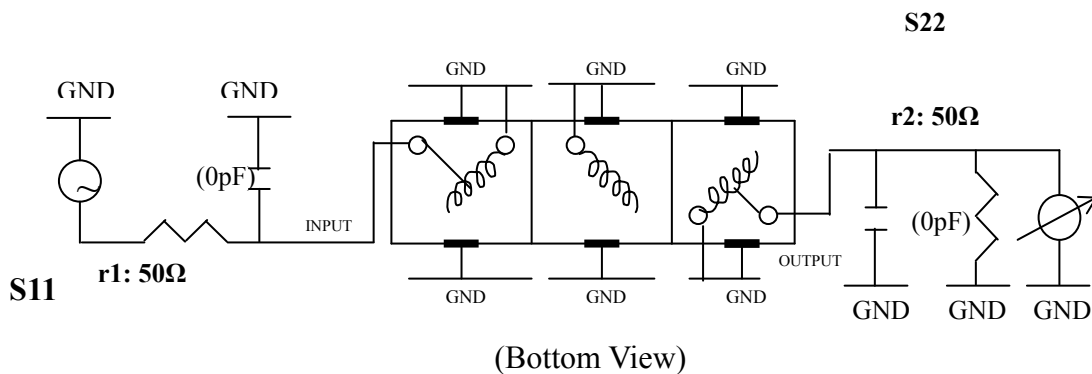
Item	Specify	Performance	
Center Freq.(Fo) +/- 0.5 %	918.5 MHz	918.5 MHz	
Tunable Range:	918.5±5 MHz	918.5±5 MHz	
Insertion Loss	Typ. 2.5 dB	1.73 dB	
-3 dB Bandwidth	Typ. 55 MHz	63.2 MHz	
Sensitivity (Attenuation)	Fo - 80 MHz	Typ. 26 dBc	29 dBc
	Fo + 80 MHz	Typ. 13 dBc	16 dBc
	Fo - ()MHz	Typ. dBc	dBc
	Fo +()MHz	Typ. dBc	dBc
Return Loss	Min. 12 dB	20.1 dB	
Ripple	< 1 dB	dB	
Impedance	In / Out : 50 Ω	In / Out : 50 Ω	
(4)Torque for Tuning Screw	> 100gf • cm		

(5)Temperature Condition:

Operating Temperature	0°C ~ +60°C
Storage Temperature	-20°C ~ +70°C

(6)Input Power > 1Watt

(7)Measuring Circuit: ※Easy to match Impedance S11/S22 50Ωby parallel with about(0pF) / (0pF).

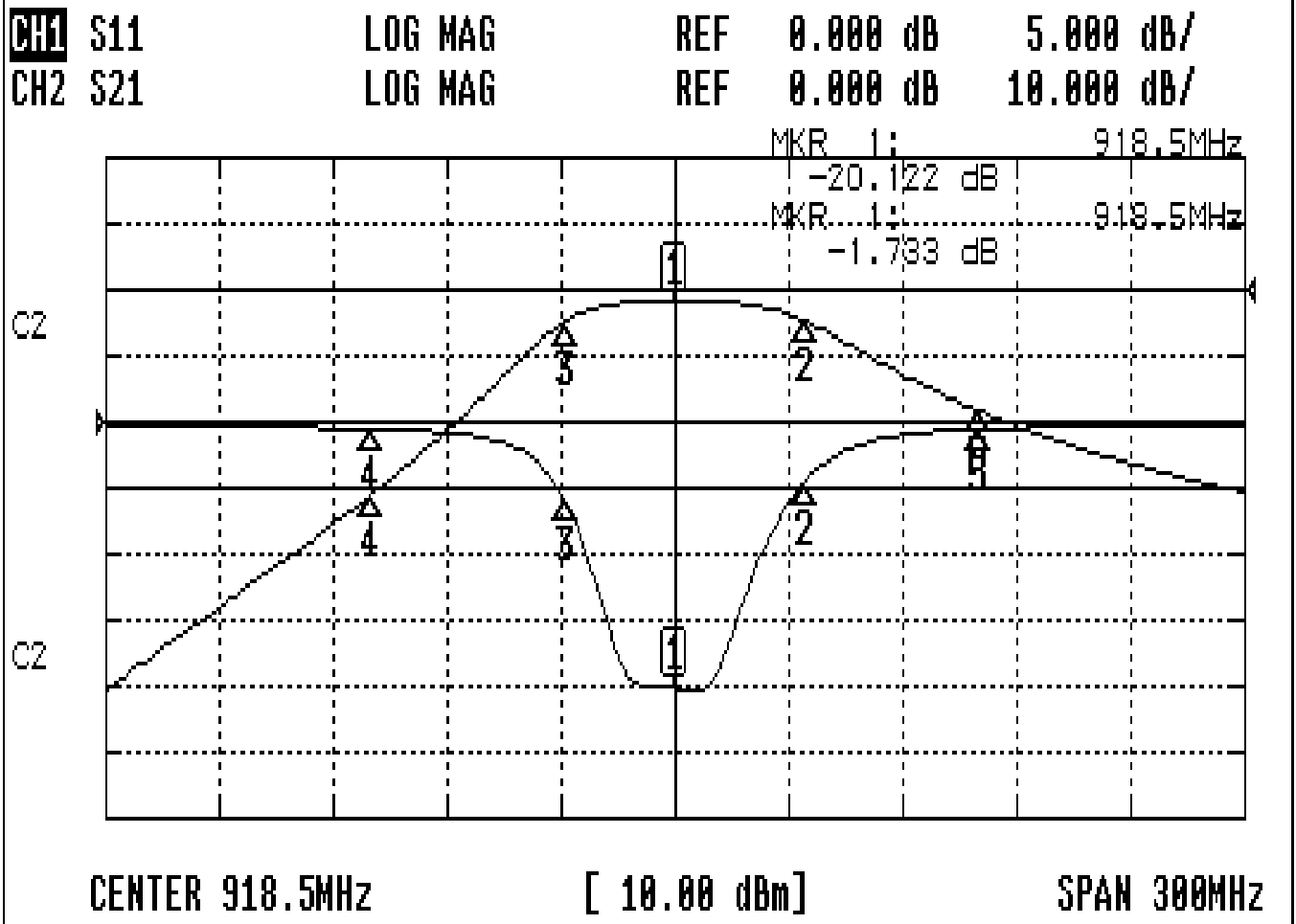


Approval C.Y.Chang	Supervisor C.S.Chang	Designer P.H.Chiang	Aperture size 7H3(4*8.0F)*(5.0B) 7H046LB5
-----------------------	-------------------------	------------------------	---

TEMWELL CORPORATION

Performance-TT67414A-918.5M

2008177DC



CH1 MARKER LIST

1:	918.500MHz	-20.122 dB
2:	952.750MHz	-4.502 dB
3:	889.500MHz	-5.841 dB
4:	838.500MHz	-0.537 dB
5:	998.500MHz	-0.542 dB

CH2 MARKER LIST

1:	918.500MHz	-1.731 dB
2:	952.750MHz	-4.776 dB
3:	889.500MHz	-4.771 dB
4:	838.500MHz	-31.026 dB
5:	998.500MHz	-18.273 dB